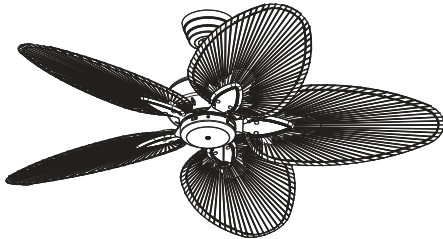
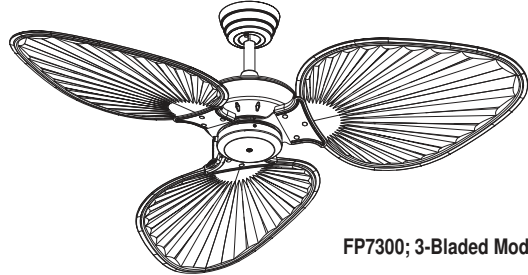


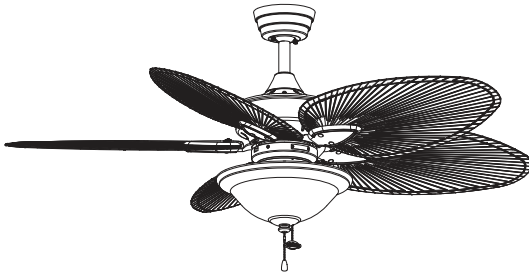
# The WindPointe® Ceiling Fans



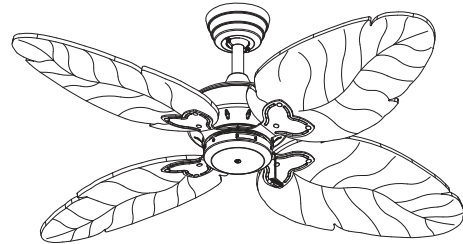
FP7500; 5-Bladed Model



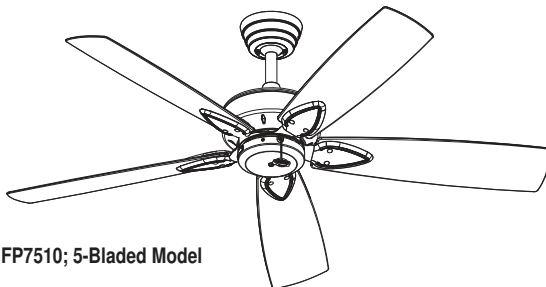
FP7300; 3-Bladed Model



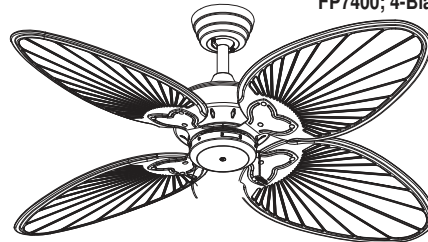
FP7500RSP4LK; 5-Bladed Model



FP7400; 4-Bladed Model



FP7510; 5-Bladed Model



FP7410; 4-Bladed Model

Windpointe™ Fan Model (Std)	Net Weight (lbs)	Net Weight (kgs)
FP7300	28.46	12.91
FP7400	27.75	12.58
FP7410	26.29	11.95
FP7500	25.57	1.60
FP7510	25.57	1.60
FP7500RSP4LK	33.25	15.1

Models No. FP7300, FP7400, FP7410, FP7500, FP7510 & FP7500RSP4LK

## OWNER'S MANUAL

READ AND SAVE THESE INSTRUCTIONS



# Important Safety Instructions

**WARNING: To avoid fire, shock and serious personal injury, follow these instructions.**

1. Read your owner's manual and safety information before installing your new fan. Review the accompanying assembly diagrams.
2. Before servicing or cleaning unit, switch power off at service panel and lock service panel disconnecting means to prevent power from being switched on accidentally. When the service disconnecting means cannot be locked, securely fasten a warning device, such as a tag, to the service panel.
3. Be careful of the fan and blades when cleaning, painting, or working near the fan. Always turn off the power to the ceiling fan before servicing.
4. Do not insert anything into the fan blades while the fan is operating.
5. Do not operate reversing switch until fan blades have come to a complete stop.

## Additional Safety Instructions

1. To avoid possible shock, be sure electricity is turned off at the fuse box before wiring, and do not operate fan without blades.
2. All wiring and installation procedures must satisfy National Electrical Codes (ANSI/ NFPA 70-1999) and Local Codes. The ceiling fan must be grounded as a precaution against possible electrical shock. Electrical installation should be made or approved by a licensed electrician.
3. The fan base must be securely mounted and capable of reliably supporting at least 50 lbs. See page 4 of owner's manual for support requirements. Consult a qualified electrician if in doubt.
4. The fan must be mounted with the fan blades at least 7 feet from the floor to prevent accidental contact with the fan blades.
5. Follow the recommended instructions for the proper method of wiring your ceiling fan. If you do not have adequate electrical knowledge or experience, have your fan installed by licensed electrician.

**WARNING:** This product is designed to use only those parts supplied with this product and/or accessories designated specifically for use with this product. Using parts and/or accessories not designated for use with this product could result in personal injury or property damage.

**WARNING:** To reduce the risk of personal injury, do not bend the blade bracket (flange or blade holder) when installing the brackets, balancing the blades, or cleaning the fan. Do not insert foreign objects in between rotating fan blades.

**WARNING:** To Reduce The Risk Of Fire Or Electric Shock. Do Not Use This Fan With Any Solid-State Speed Control Device.

## LIMITED LIFETIME WARRANTY

**Extends to the original purchaser of a Fanimation Fan**

1. LIMITED LIFETIME MOTOR WARRANTY - If any part of your fan motor fails, due to a defect in materials or workmanship during the lifetime of the original purchaser, Fanimation will provide the replacement part free of charge, when the defective fan is returned to our national service center. Proof of purchase is required. Customer shall be responsible for all costs incurred in the removal or reinstallation and shipping of the product for repairs or replacement.
2. ONE YEAR MOTOR LABOR WARRANTY - If your fan motor fails at any time within one year from the original purchase, due to defects in materials or workmanship, labor to repair the motor will be provided free of charge at our national service center. Purchaser will be responsible for labor charges after this one-year period. Customer shall be responsible for all costs incurred in the removal or reinstallation and shipping of the product for repairs or replacement.
3. If any other part of your fan fails at any time within one year after original purchase, due to a defect in materials or workmanship, we will repair, or replace, at our option, the defective part free of charge for parts and labor performed at our national service center.
4. Because of varying climate conditions, this warranty does not cover changes in the finish, including rusting, pitting, corroding, tarnishing, or peeling.
5. This warranty is void and does not apply to damage from improper installation, neglect, accident, misuse, exposure to extremes of heat or humidity, or as a result of any modification to the original product.
6. All costs of removal and reinstallation of the fan are the sole responsibility of the owner of the fan and not the store that sold the fan or Fanimation.
7. Fanimation reserves the right to modify or discontinue any product at any time and may substitute any part under this warranty.
8. Under no circumstances may a fan be returned without prior authorization from Fanimation. The receipt of purchase must accompany authorized returns and must be sent freight prepaid to Fanimation. The fan to be returned must be properly packed to avoid damage in transit; Fanimation will not be responsible for any damage resulting from improper packaging.
9. It is understood that any repair or replacement is the exclusive remedy available from Fanimation. There is no other expressed or implied warranty. Fanimation hereby disclaims any and all implied warranties, including, but not limited to those of merchantability and fitness for a particular purpose to the extent permitted by law. Some states do not allow limitations on implied warranties. Fanimation will not be liable for incidental, consequential, or special damages arising out of or in conjunction with product use or performance, except as may otherwise be accorded by law. This warranty gives you special legal rights and you may also have other rights that vary from state to state.
10. A certain amount of wobble is normal and should not be considered a problem or a defect.

## Table of Contents

Unpacking Instructions .....	3	Assembling and Mounting the Fan Blades, and Switch Housing .....	8
Energy Efficient Use of Ceiling Fans .....	4	Light Kit Assembly-FP7500RSP4LK ONLY .....	10
Electrical and Structural Requirements .....	4	Operating Instructions - Pull Chain .....	11
How to Assemble Your Ceiling Fan .....	5	Maintenance .....	11
How to Hang Your Ceiling Fan .....	6	Blade Cleaning .....	11
How to Wire Your Ceiling Fan - Pull Chain .....	7	Parts List .....	12
Installing the Canopy Housing .....	7	Exploded-View Drawing .....	14
		Trouble Shooting .....	15

# This Manual is Designed to Make it as Easy as Possible for You to Assemble, Install, Operate, and Maintain Your Ceiling Fan

## Tools Needed for Assembly

- One Phillips head screwdriver
- One wire stripper
- One stepladder
- Three wire connectors (supplied)
- One 1/4" blade screwdriver

## Materials

Wiring outlet box and box connectors must be of type required by local code. The minimum wire would be a 3-conductor (2-wire with ground) of the following size:

Installed Wire Length	Wire Size A.W.G.
Up to 50 ft.	14
50 - 100 ft.	12

**NOTE:** Place the parts from the loose parts bags in a small container to keep them from being lost. If any parts are missing, contact your local retailer.

### ▲ WARNING

Before assembling your ceiling fan, refer to section on proper method of wiring your fan (page 4). If you feel you do not have enough wiring knowledge or experience, have your fan installed by a licensed electrician.

## Unpacking Instructions

For your convenience, check-off each step. As each step is completed, place a check mark. This will ensure that all steps have been completed and will be helpful in finding your place should you be interrupted.

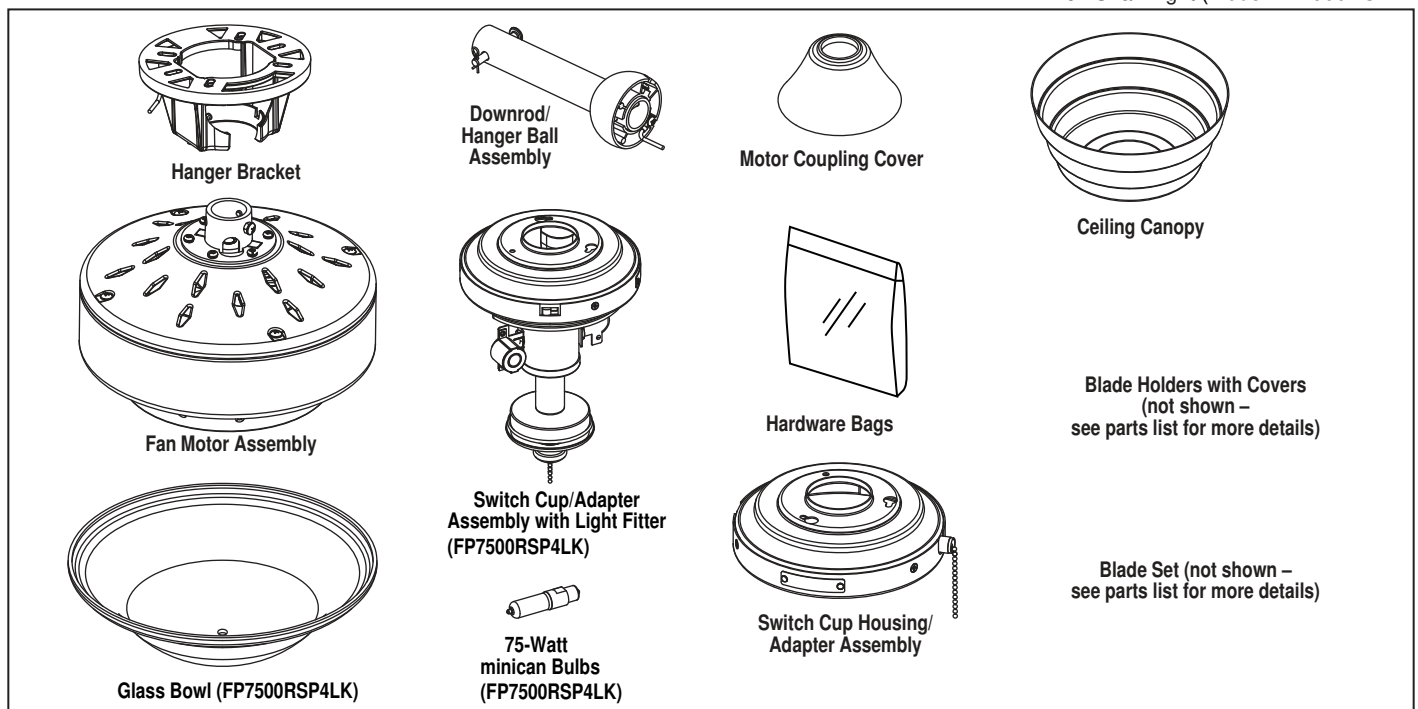
### ▲ WARNING

Do not install or use fan if any part is damaged or missing. This product is designed to use only those parts supplied with this product and/or any accessories designated specifically for use with this product by Fanimation. Substitution of parts or accessories not designated for use with this product by Fanimation could result in personal injury or property damage. Contact your retail store for missing or damaged parts.

1. Check to see that you have received the following parts:

**NOTE:** If you are uncertain of part description, refer to exploded view illustration. (Figure 1, page 12)

- Fan Motor Assembly
- Switch Cup/Adapter Assembly
- Downrod/Hanger Ball Assembly
- Hanger Bracket
- Ceiling Canopy
- Motor Coupling Cover
- Switch Cup/Adapter Assembly with Light Fitter (FP7500RSP4LK only)
- Glass Bowl (FP7500RSP4LK only)
- 75W minican Bulb (FP7500RSP4LK only)
- Blade Holder W/Covers
- Blades
- Hardware bags:
  - 1/4-20 x 1/2" (blade holder to fan motor hub) screws with lockwashers
  - 1/4-20 x 14 mm pan head screws (blade holder to fan motor hub) with lock washers (Model FP7500RSP4LK)
  - 3/16"-24 carriage head nut
  - 3/16"-24 x 11mm (Models FP7300 & FP7400) (blade to blade holder) washer-head screws
  - 3/16"-24 x 17mm (Model FP7500) (blade to blade holder) washer-head screws
  - 3/16"-24 x 13mm (Model FP7500RSP4LK) (blade to blade holder) washer-head screws
  - Phillips screwdriver, 4"
  - Two 5/32" threaded rods
  - Two 5/32" lockwashers
  - Two knurled knobs
  - Ceiling Support Cable with clamp
  - Flat washer
  - Lag bolt
  - Four wire connectors
  - Chain coupler & chain fob
  - Balance Kit
  - Pull Chain-fan
  - Pull Chain-light (Model FP7500RSP4LK only)



# Energy Efficient Use of Ceiling Fans

Ceiling fan performance and energy savings rely heavily on the proper installation and use of the ceiling fan. Here are a few tips to ensure efficient product performance.

## Choosing the Appropriate Mounting Location

Ceiling fans should be installed, or mounted, in the middle of the room and at least 7 feet above the floor and 18 inches from the walls. If ceiling height allows, install the fan 8 - 9 feet above the floor for optimal airflow. Consult your Fanimation Retailer for optional mounting accessories.

## Turn Off When Not in the Room

Ceiling fans cool people, not rooms. If the room is unoccupied, turn off the ceiling fan to save energy.

## Using the Ceiling Fan Year Round

**Summer Season:** Use the ceiling fan in the counter-clockwise direction. The airflow produced by the ceiling fan creates a wind-chill effect, making you "feel" cooler. Select a fan speed that provides a comfortable breeze, lower speeds consume less energy.

**Winter Season:** Reverse the motor and operate the ceiling fan at low speed in the clockwise direction. This produces a gentle updraft, which forces warm air near the ceiling down into the occupied space. Remember to adjust your thermostat when using your ceiling fan - additional energy and dollar savings could be realized with this simple step!

# Electrical and Structural Requirements

Your new ceiling fan will require a grounded electrical supply line of 120 volts AC, 60 Hz, 15 amp circuit. The outlet box must be securely anchored and capable of withstanding a load of at least 50 lbs. **Figure 1** depicts different structural configurations that may be used for mounting the outlet box.

## ⚠ WARNING

To reduce the risk of fire, electrical shock, or personal injury, mount fan to outlet box marked acceptable for fan support. Use screws supplied with outlet box. Most outlet boxes commonly used for support of light fixtures are not acceptable for fan support and may need to be replaced. Consult a qualified electrician if in doubt.

## ⚠ WARNING

Turning off wall switch is not sufficient. To avoid possible electrical shock, be sure electricity is turned off at the main fuse box before wiring. All wiring must be in accordance with National and Local codes and the ceiling fan must be properly grounded as a precaution against possible electrical shock.

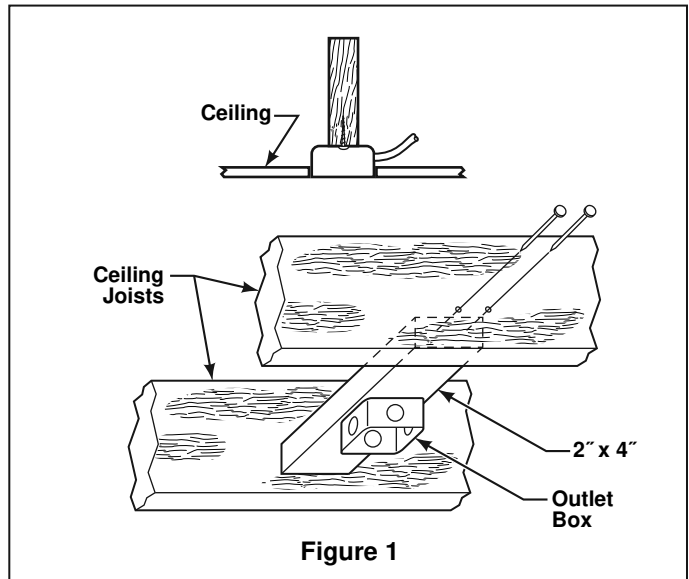


Figure 1

## ⚠ WARNING

To avoid fire or shock, follow all wiring instructions carefully. Any electrical work not described in these instructions should be done or approved by a licensed electrician.

# How to Assemble Your Ceiling Fan

1. Remove the Hanger Ball by loosening the setscrew in the Hanger Ball until the ball falls freely down the Downrod. (Figure 1) Remove the Pin from the Downrod, then remove the Hanger Ball. Retain the Pin and Hanger Ball for reinstallation in Step 5.

2. The fan comes with blue, black, white 80" wires and safety cable. Separate & untwist the three wires and safety cable. Route the wires through the downrod.

**NOTE:** You will be using either the 6" downrod supplied with your fan or an optional downrod purchased separately.

3. Loosen the two setscrews in the Downrod Support. Align the Clevis Pin holes in the Downrod with the holes in the Downrod Support. Install the Clevis Pin and secure with the Hairpin Clip. (Figure 3) Be sure to push the straight leg of the hairpin clip through the hole near the end of the clevis pin until the curved portion of the hairpin clip snaps around the clevis pin. The hairpin clip must be properly installed to prevent the clevis pin from working loose. Pull on the Downrod to make sure the clevis pin is properly installed.

## ▲ WARNING

It is critical that the clevis pin in the downrod support is properly installed and the setscrews are securely tightened. Failure to verify that the pin and setscrews are properly installed could result in the fan falling.

4. Route wires and cable through Motor Coupling Cover and Canopy on fan shown with open side facing up. (Figure 3)

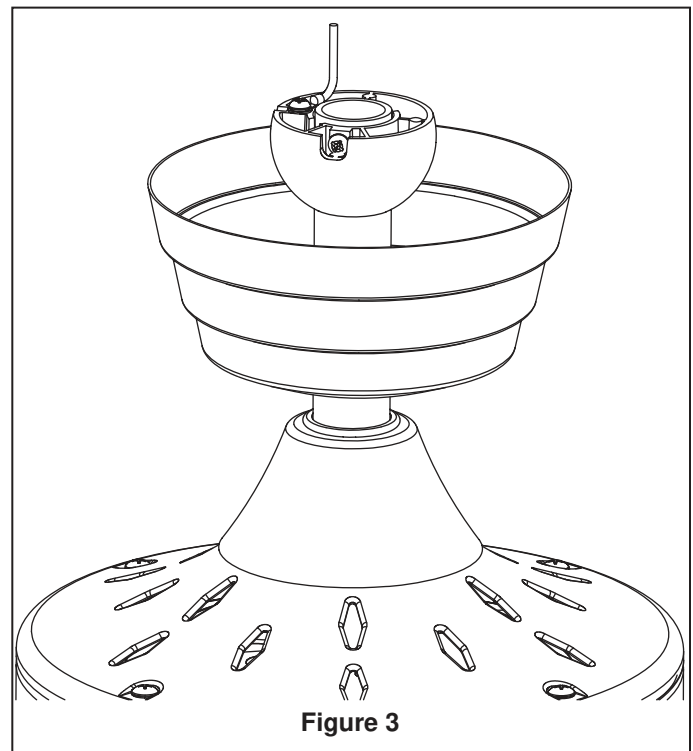
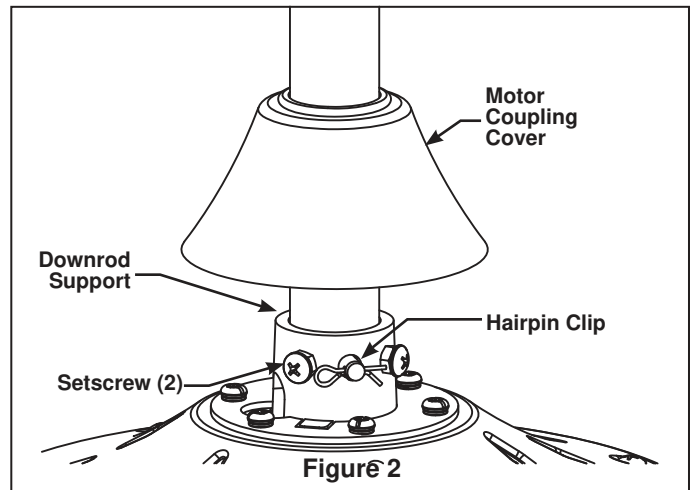
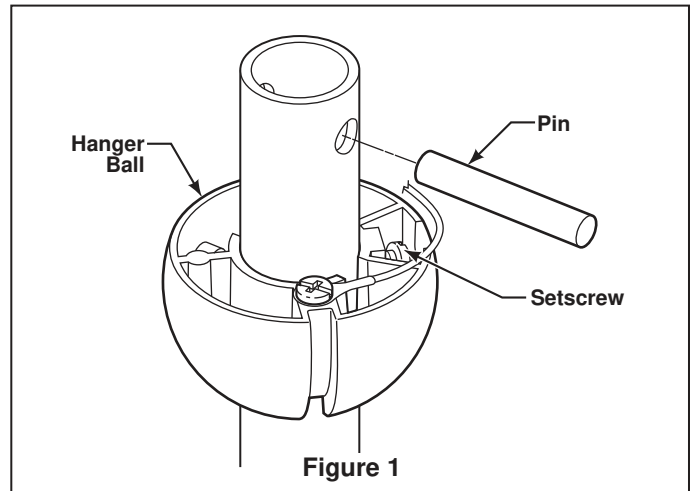
5. Reinstall the Hanger Ball (Figure 1) on the Downrod as follows. Route the three 80" wires and cable through the Hanger Ball. Position the Pin through the two holes in the Downrod and align the Hanger Ball so the Pin is captured in the groove in the top of the Hanger Ball. Pull the Hanger Ball up tight against the pin. **Securely tighten the setscrew in the Hanger Ball.** A loose setscrew could create fan wobble.

6. While pulling up on the hanger ball, securely tighten the two 3/16-24 x 3/8" setscrews in the downrod support. Slide the Motor Coupling Cover down. (Figures 2 & 3)

7. The fan comes with blue, black, white leads and support cable. Before installing fan, measure up approximately 6-9 inches above top of Downrod/Hanger Ball Assembly. Cut off excess wire and strip back insulation 1/2" from end of wire.

8. All set screws must be checked and retightened where necessary before installation.

9. You have now completed the upper assembly of your new ceiling fan. You can now proceed with the hanging and the electrical wiring of your fan.



# How to Hang Your Ceiling Fan

## ⚠ WARNING

To avoid possible electrical shock, be sure electricity is turned off at the main fuse box before hanging.  
**NOTE: If you are not sure if the outlet box is grounded, contact a licensed electrician for advice, as it must be grounded for safe operation.**

## ⚠ WARNING

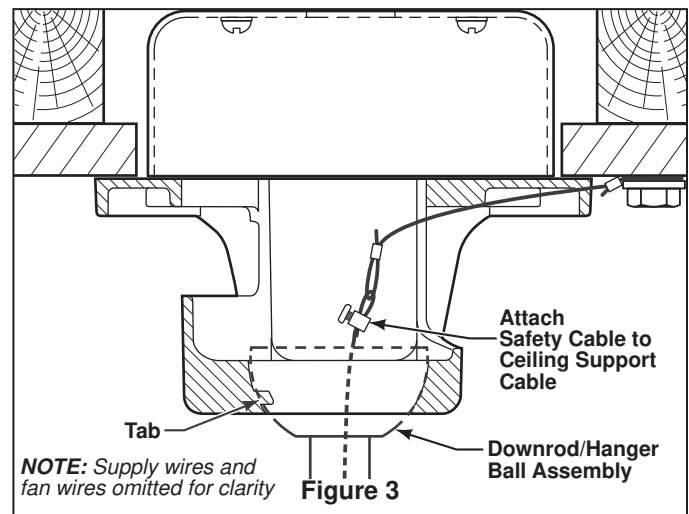
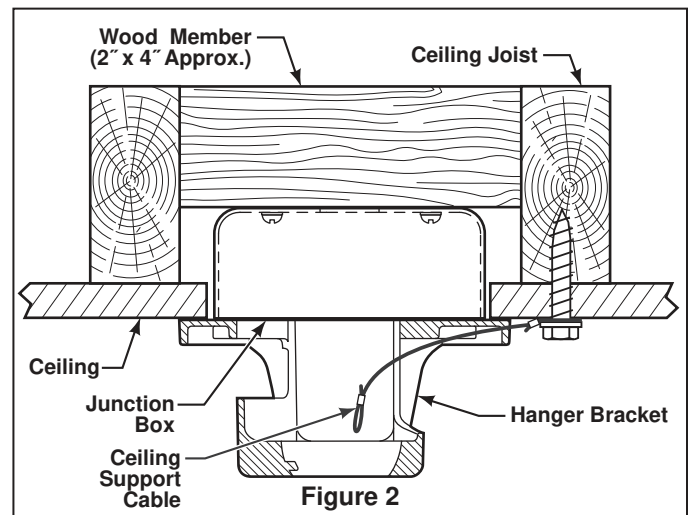
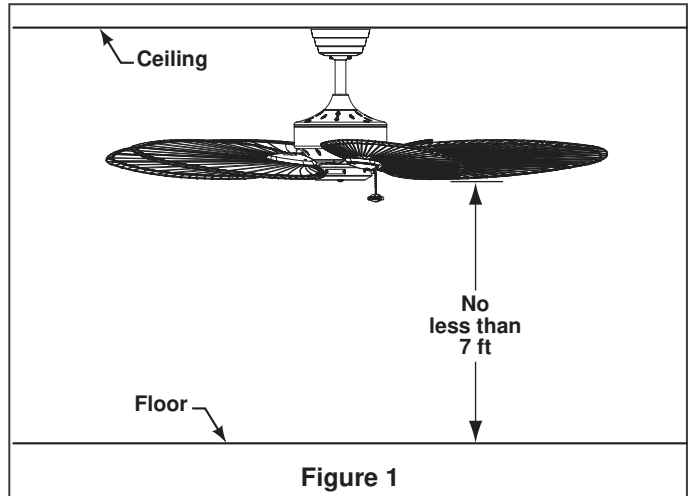
The fan must be hung with at least 7' of clearance from floor to blades (Figure 1)

## ⚠ WARNING

The outlet box must be securely anchored and capable of withstanding a load of at least 50 lbs. Hanger bracket must seat firmly against outlet box. If the outlet box is recessed, remove wallboard until bracket contacts box. If bracket and/or outlet box are not securely attached, the fan could wobble or fall.

## CAUTION

Do not connect fan blades until the fan is completely installed. Hanging fan with blades connected may result in damage to the fan blades.



1. Using the  $\frac{3}{8}$ " x 2" lag bolt and flat washer, attach safety cable to ceiling joist or wood structural member. The lag bolt will pass through the flat washer, safety cable loop, and into the building structure (Figure 2). You will first drill a  $\frac{1}{4}$ " pilot hole into the building structure to prevent splitting or cracking.

2. Securely attach the hanger bracket to ceiling junction box **acceptable for ceiling fan support**.

**NOTE:** Ceiling support cable cannot be secured to junction box only, it must be directly secured to ceiling joist or structural member using the  $\frac{3}{8}$ " x 2" lag bolt and flat washer. (Figure 2)

3. Make sure the electrical supply wires, including the hanger bracket grounding wire and safety cable are pulled through the downrod, between the hanger bracket and the junction box so that electrical connections can be made later.

4. Carefully lift the fan and seat the downrod/hanger ball assembly on the hanger bracket that was just attached to the ceiling joist. Be sure the groove in the ball is lined up with tab on the hanger bracket. (Figure 3)

5. Attach the safety cable to ceiling support cable. Slide cable clamp onto safety cable (from fan). Place the end of cable through the loop of ceiling support cable. Pull as much cable through loop as possible. Feed end of cable into clamp hole and firmly tighten screw (Figure 3). Cut off excess safety cable.

## ⚠ WARNING

Failure to seat tab in groove could cause damage to electrical wires and possible shock or fire hazard.

## ⚠ WARNING

To avoid possible shock, do not pinch wires between the downrod/hanger ball assembly and the hanger bracket.

# How to Wire Your Ceiling Fan - Pull Chain

*If you feel that you do not have enough electrical wiring knowledge or experience, have your fan installed by a licensed electrician.*

## ⚠ WARNING

To avoid possible electrical shock, be sure electricity is turned off at the main fuse box before wiring.  
**NOTE: If you are not sure if the outlet box is grounded, contact a licensed electrician for advice, as it must be grounded for safe operation.**

1. Connect the green grounding lead from the hanger ball and the green grounding lead from the hanger bracket to the supply grounding conductor (this may be a bare wire or wire with green colored insulation). Securely connect wires with wire connectors supplied.
2. Securely connect the white fan motor wire to the white supply (neutral) wire using wire connector supplied. Securely connect the black fan motor wire and blue wire to the black supply wire using wire connector supplied (Figure 1).
3. After splicing and making the wire connections, the wires should be spread apart and turned upward with the grounded conductor and the equipment-grounding conductor on one side of the outlet box and the ungrounded conductor on the other side of the outlet box.
4. Secure the ceiling canopy to the hanger bracket with threaded rods, external lockwashers, and knurled knobs provided (see below).

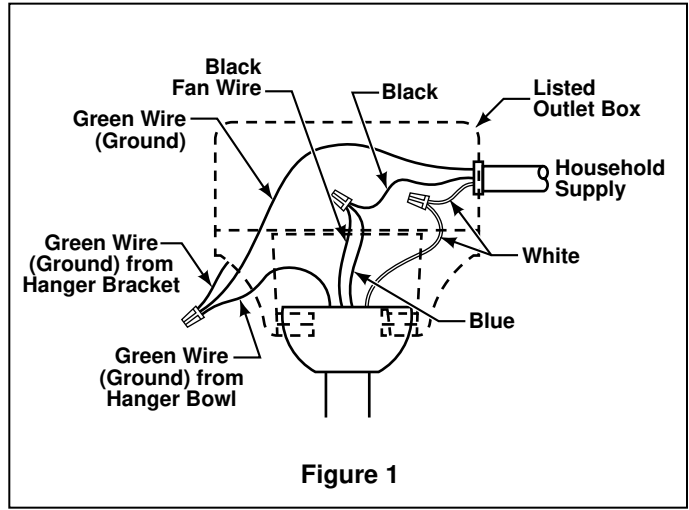


Figure 1

## ⚠ WARNING

Check to see that all connections are tight, including ground, and that no bare wire is visible at the wire connectors, except for the ground wire. Do not operate fan until the blades are in place. Noise and fan damage could result.

## Installing the Canopy Housing

**NOTE:** This step is applicable **after** the necessary wiring is completed.

## ⚠ WARNING

To avoid possible fire or shock, make sure that the electrical wires are completely inside the canopy housing and not pinched between the housing and the ceiling.

1. Screw in two threaded rods into the Hanger Bracket (Figure 1a).

**NOTE:** The threaded rods in the hanger bracket serves as guides for easier installation.

2. Securely attach the Canopy Housing to the Hanger Bracket using the external lockwashers and knurled knobs supplied with your fan (Figure 1b).

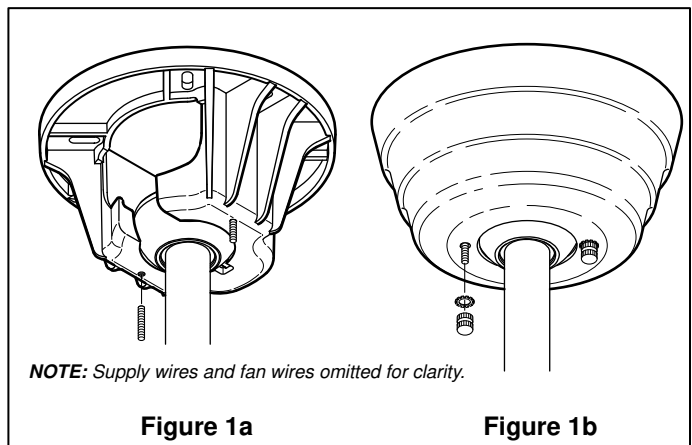


Figure 1a

Figure 1b

# Assembling and Mounting the Fan Blades and Switch Hsg

## INSTALLATION NOTE

*Do not connect fan blades until the fan is completely installed. Installing the fan with blades assembled may result in damage to the fan blades.*

## ⚠ WARNING

To reduce the risk of personal injury, do not bend the blade holders when installing, balancing the blades or cleaning the fan. Do not insert foreign objects in between the rotating blades.

1. Remove and discard the (rubber) motor “stops” by removing the five screws. (Figure 1)

### Blade & Blade Holder Assembly:

2. Lay the side of the blade holder on a flat surface with the inside of the blade holder facing up.

3. Assemble the blade to the blade holder with the carriage nuts, washer-head screws and the blade cover. Make sure the bottom edge of the blade is fully seated against the blade holder.

4. Tighten screws with a screwdriver provided, don't over-tighten. (Figure 2)

5. Attach assembled blades and blade holders to the motor hub using the provided screws & lock washers. (Figure 3)

6. Make sure the screws securing the blade holders to the motor hub are tight and that the blade holders are properly seated.

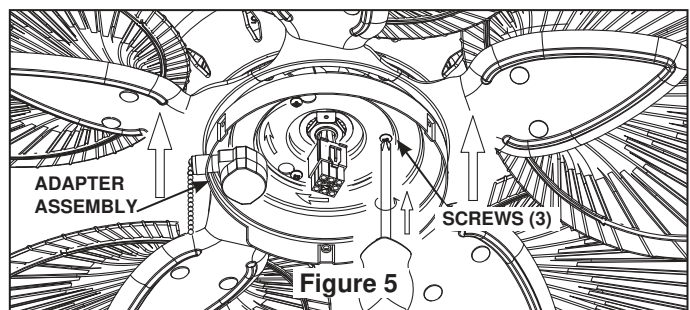
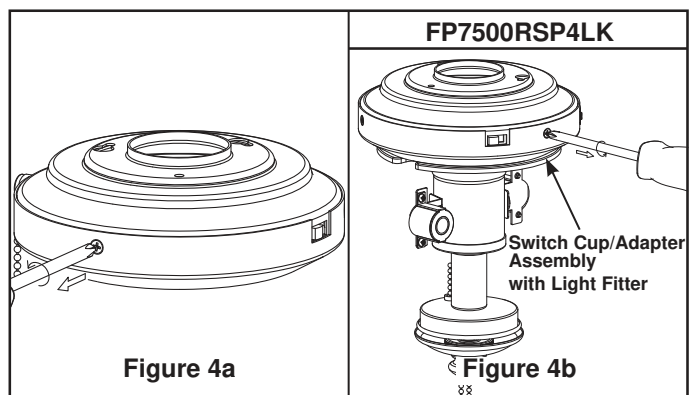
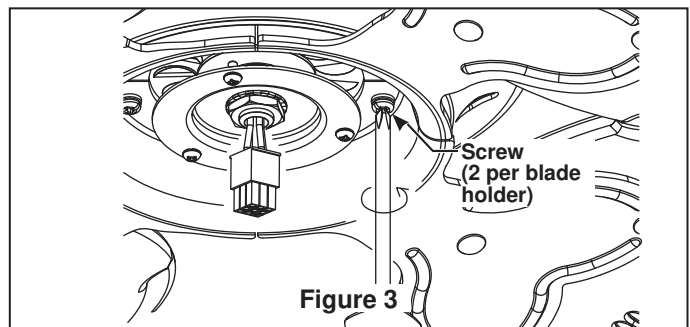
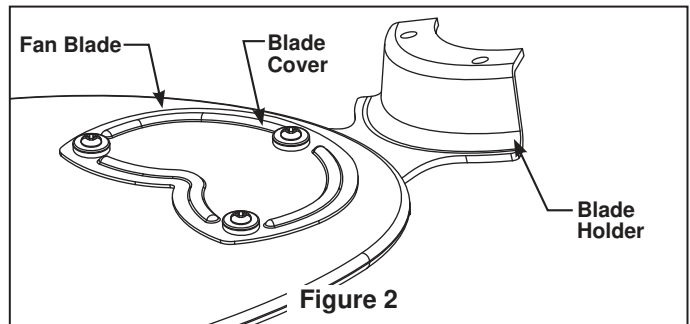
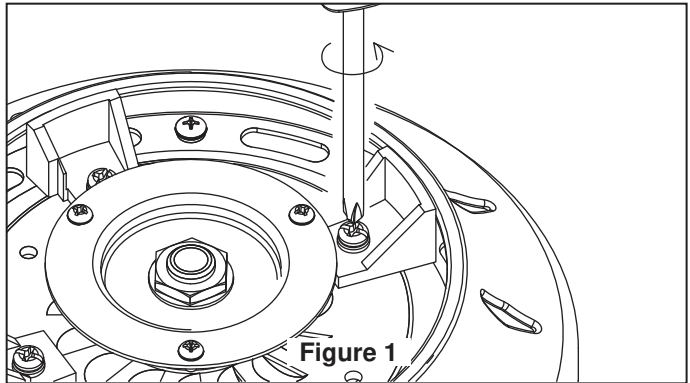
### Housing Switch Cup/Adapter Assembly:

7a. Disassemble the Housing Switch Cup/Adapter assembly by removing three screws. (Figure 4a)

<<FP7500RSP4LK ONLY>>

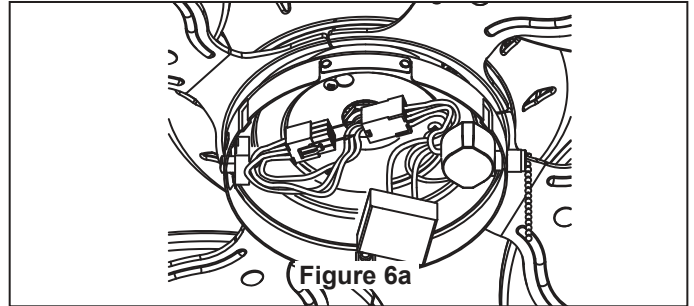
7b. Disassemble the Switch Cup/Adapter Assembly with Light Fitter by removing three screws. (Figure 4b)

8. Remove one of the three screws in the support bracket. Slightly loosen the remaining two screws. Assemble the adapter assembly to the housing support bracket using the two key slots in the adapter assembly. Replace the third screw and securely tighten all three screws. (Figure 5)

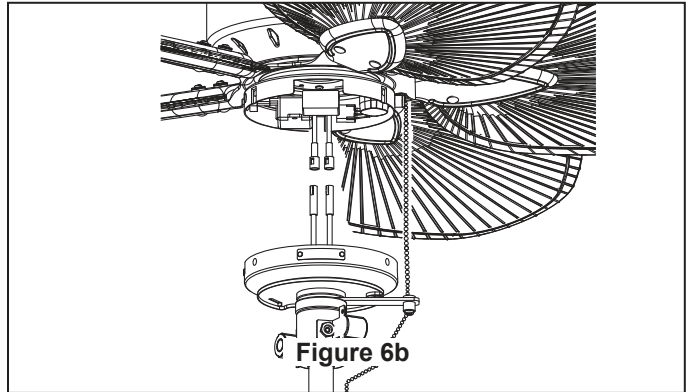


## Assembling and Mounting the Fan Blades and Switch Hsg (cont'd)

**9a.** Assemble the Adapter assembly on the Housing Support bracket and tighten three screws. Securely attach the 9-pin switch cup connector to wiring harness socket within Adapter assembly. (Figure 6a)



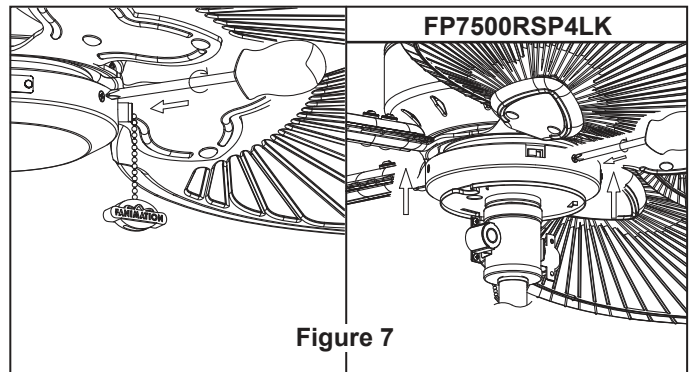
**9b. <<FP7500RSP4LK ONLY>>** Connect the 2-pin connector from the switch cup housing light fitter to the 2-pin connector from the motor assembly. (Figure 6b)



**10.** Assemble the Housing Switch Cup onto the assembled Adapter with three screws. (Figure 7)

**11a.** Restore Power and your fan is now wired to be turned on and off from the fan pull chain speed control.

**11b. <<FP7500RSP4LK ONLY>>** Continue to the light kit assembly process.



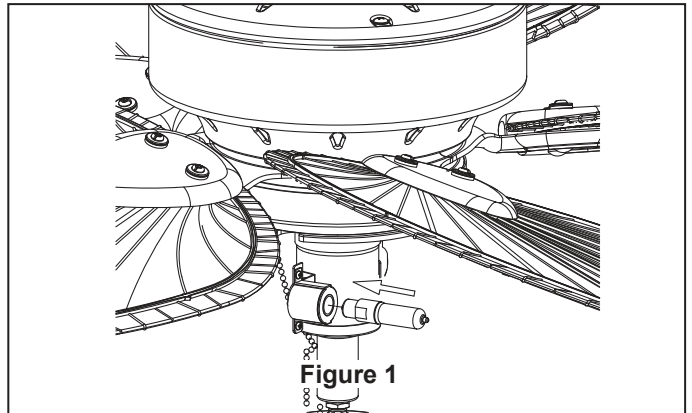
## Light Kit Assembly—FP7500RSP4LK ONLY

1. Install included minican bulbs into the sockets. (Figure 1)

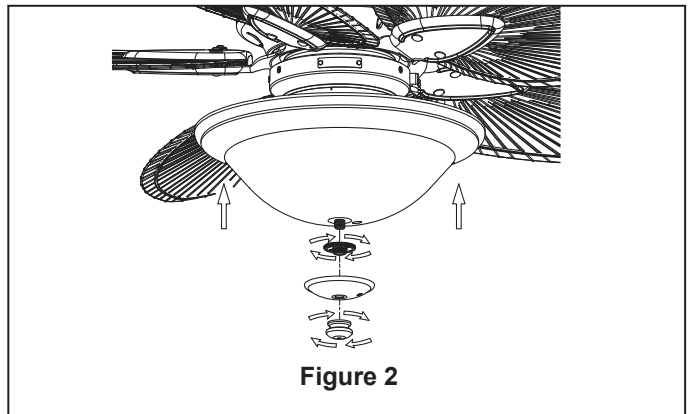
### CAUTION

Bulb is pressurized and may shatter. DO NOT TOUCH BULB WITH BARE HANDS. Fingerprints may result in shorter bulb life. Remove fingerprints with alcohol prior to use.

To reduce the risk of fire, use 75-watt max. type T4-minican JD E11 tungsten halogen bulb. Turn off the wall switch and allow the bulb to cool for 10 minutes before relamping.

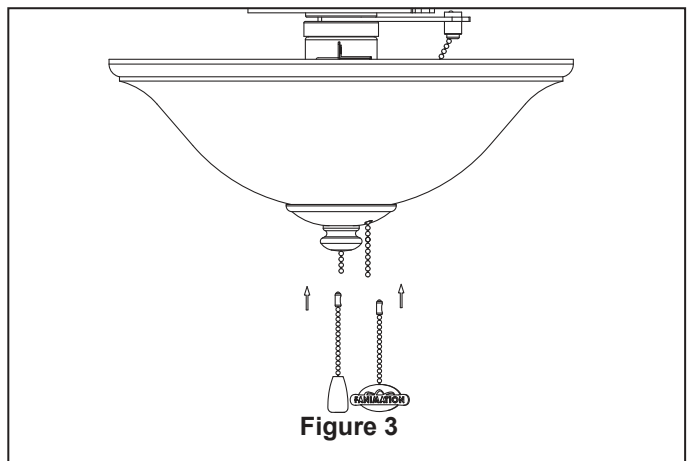


2. Secure glass bowl to light fitter using supplied nut. Next, install trim cover followed by the finial. Do not over tighten. (Figure 2)



3. Install pull chains and fobs. (Figure 3)

4. Restore Power and your fan is now wired to be turned on and off from the fan and light kit pull chain control.



# Operating Instructions - Pull Chain

1. Restore electrical power to the outlet box by turning the electricity on at the main fuse box. (Figure 1)

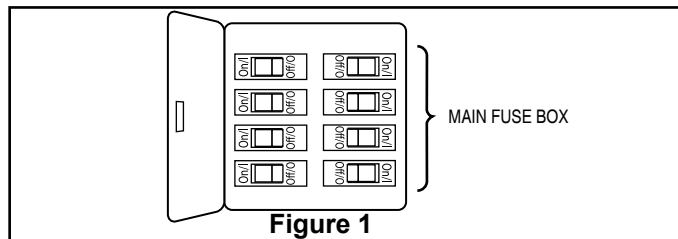


Figure 1

2. Check the operation of the fan by gently pulling on the pull chain switch. (Figure 2)

Pull Chain Operating Sequence	
1 <sup>st</sup> Pull	High
2 <sup>nd</sup> Pull	Medium
3 <sup>rd</sup> Pull	Low
4 <sup>th</sup> Pull	Off

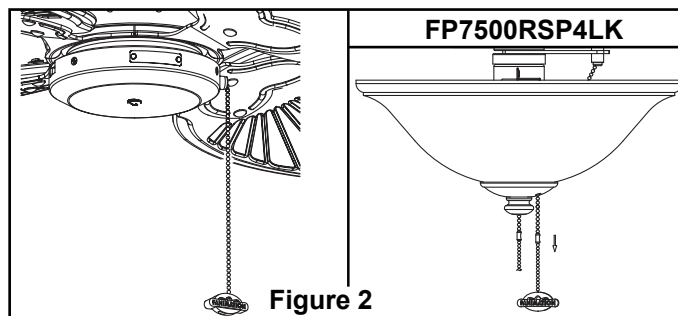


Figure 2

3. If airflow is desired in the opposite direction, turn the fan off and wait for the blades to stop turning. Then slide the reverse switch to the opposite position and turn fan on again. Your fan model is equipped with a 4-position, 3-speed, pull chain switch. The operating sequence is as follows: (Figure 3)

Reverse Switch Information		
Season	Rotation Direction	Switch Position
Summer	Counter-Clockwise	Right
Winter	Clockwise	Left

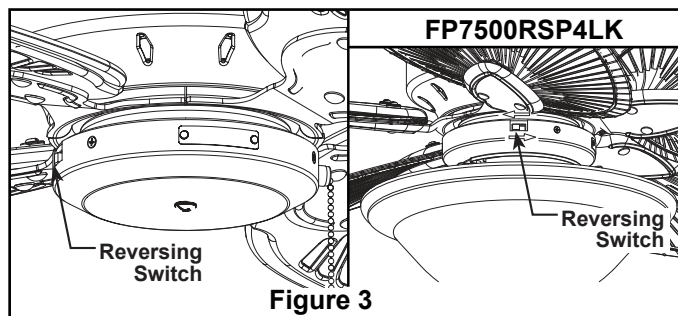


Figure 3

## 4. <<FP7500RSP4LK ONLY>>

Check the operation of the down light by gently pulling on the light kit pull chain. (Figure 4)

Light Kit Pull Chain Operating Sequence	
1 <sup>st</sup> Pull	On
2 <sup>nd</sup> Pull	Off

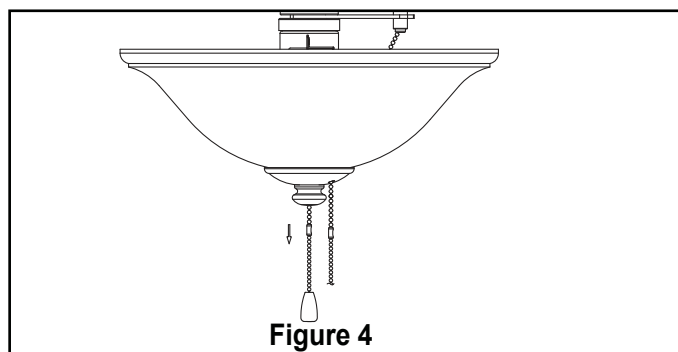


Figure 4

## Maintenance

Periodic cleaning of your new ceiling fan is the only maintenance that is needed.

When cleaning, use only a soft brush or lint free cloth to avoid scratching the finish.

Abrasive cleaning agents are not required and should be avoided to prevent damage to finish.

### CAUTION

Do not use water when cleaning your ceiling fan. It could damage the motor or the blades and create the possibility of electrical shock.

## Blade Cleaning

Periodic light dusting of the blades is recommended. A feather duster will work best.

Avoid using water, cleansers, or harsh rags, which can warp and ruin the blades.

# Parts List

Models FP7300RS, FP7400\*\*, FP7410\*\*

Ref. #	Description	Part # FP7300RS	Part # FP7400**	Part # FP7410**
1	Hanger Bracket Assembly	APG610BL	APG610BL	APG610BL
2	<i>Downrod/Hanger Ball Assembly Containing:</i>	ADR1-6**	ADR1-6**	ADR1-6**
2a	Hanger Ball Assembly			
2b	Downrod			
2c	Hairpin Clip			
2d	Clevis Pin			
3	Ceiling Canopy	PG165**	PG165**	PG165**
4	Motor Coupling Cover	P81090**	P81090**	P81090**
5	Fan Motor Assembly	AMA51**	AMA55*	AMA55*
6	Switch Cup Housing/Adapter Assembly	AP5005**	AP5005**	AP5005**
	Wiring Harness (part of Switch Cup Housing/Adapter assembly)	AP5006	AP5006	AP5006
7	Blade Holder Cover	AP5061**	AP5065**	AP5065**
8	Blade Holder	AP5051**	AP5055**	AP5055**
	<i>Hardware Bag Containing:</i>	HDWFP51**	HDWFP55**	HDWFP55**
	5/32" Threaded Rods (2)	HDWHW50	HDWHW50	HDWHW50
	5/32" External Lockwasher (2)			
	Knurled Knobs (2)			
	Blade Balance Kit (BALKT)			
	Chain Coupler			
	Chain Fob			
	Wire Connectors (4)			
9	<i>Blade Mounting Hardware Bag Containing:</i>	HDWBM51**	HDWBM55**	HDWBM55**
	3/16"-24 x 11 mm Washer-Hd Screws (Models FP7300 & FP7400)			
	3/16"-24 x 17 mm Washer-Head Screws (Model FP7500)			
	3/16"-24 Carriage Head Nuts			
	<i>Blade Holder Mounting Hardware Bag Containing:</i>	HDWBH53**	HDWBH53**	HDWBH53**
	1/4"-20 x 1/2" Phillips Head Screws, with Lock Washers			
	Phillips Screwdriver, 4"			
	<i>Support Cable Bag Containing:</i>	HWBSCABLE	HWBSCABLE	HWBSCABLE
	Ceiling Support Cable with Clamp			
	Lag Bolt, 3/8" x 2"			
	Flat Washer			
Not Shown	Blades	B3000BW (3)	B4010CP (4) for 7400AB B4020SS (4) for 7400RS	B4010CP (4) for 7410OB B4020SS (4) for 7410AB

\*\*Insert FINISH CODES (Refer to fan model number located on downrod support)

**Before discarding packaging materials, be certain all parts have been removed**

## How To Order Parts

When ordering repair parts, always give the following information:

- Part Number
- Part Description
- Fan Model Number

Contact your retail store for repair parts.

# Parts List

Models FP7500\*\*, 7510MW & FP7500RSP4LK

Ref. #	Description	Part # FP7500**	Part # FP7510MW	Part # FP7500RSP4LK
1	Hanger Bracket Assembly	APG610BL	APG610BL	APG610BL
2	<i>Downrod/Hanger Ball Assembly Containing:</i>	ADR1-6**	ADR1-6**	ADR1-6RS
2a	Hanger Ball Assembly			
2b	Downrod			
2c	Hairpin Clip			
2d	Clevis Pin			
3	Ceiling Canopy	PG165**	PG165**	PG165RS
4	Motor Coupling Cover	P81090**	P81090**	AP1115RS
5	Fan Motor Assembly	AMA53**	AMA53**	AMA7500RSP4LK
6a	Switch Cup Housing/Adapter Assembly	AP5005**	AP5005**	—
	Wiring Harness (part of Switch Cup Housing/Adapter assembly)	AP5006	AP5006	
6b	Switch Cup/Adapter Assembly with Light Fitter (FP7500RSP4LK only)	—	—	AP750003RS
7	Blade Holder Cover	AP5063**	AP5063**	AP5063RS
8	Blade Holder	AP5053**	AP5053**	AP5053RS
9	Glass (FP7500RSP4LK only)	—	—	P801102FW
10	Bulb (FP7500RSP4LK only)	—	—	PPE11B75
11	<i>Hardware Bag Containing:</i>	HDWFP53*	HDWFP53**	HDWFP7500RSP4LK
	5/32" Threaded Rods (2)	HDWHW50	HDWHW50	
	5/32" External Lockwasher (2)			
	Knurled Knobs (2)			
	Blade Balance Kit (BALKT)			
	Chain Coupler			
	Chain Fob			
	Wire Connectors (4)			
	Pull Chain - Light Kit (FP7500RSP4LK only)			
	<i>Blade Mounting Hardware Bag Containing:</i>	HDWBM53**	HDWBM53**	
	3/16"-24 x 11 mm Washer-Hd Screws (Models FP7300 & FP7400)			
	3/16"-24 x 17 mm Washer-Head Screws (Model FP7500)			
	3/16"-24 x 13 mm Washer-Head Screws (Model FP7500RSP4LK)			
	3/16"-24 Carriage Head Nuts	HDWBH53**	HDWBH53**	
	<i>Blade Holder Mounting Hardware Bag Containing:</i>			
	1/4"-20 x 1/2" Phillips Head Screws, with Lock Washers			
	1/4"-20 x 14mm Pan Head Screws, with Lock Washers (Model FP7500RSP4LK)			
Phillips Screwdriver, 4"	HWBSCABLE	HWBSCABLE		
<i>Support Cable Bag Containing:</i>				
Ceiling Support Cable with Clamp				
Lag Bolt, 3/8" x 2"				
Flat Washer				
Not Shown	Blades	ISP4 (5) for 7500AB ISP5 (5) for 7500MW ISD4A (5) for 7500RS	APW22MW (5)	—
12	Blades (FP7500RSP4LK only)	—	—	APBPP4BR (5) for 7500RSP4LK

\*\*Insert FINISH CODES (Refer to fan model number located on downrod support)

**Before discarding packaging materials, be certain all parts have been removed**

### How To Order Parts

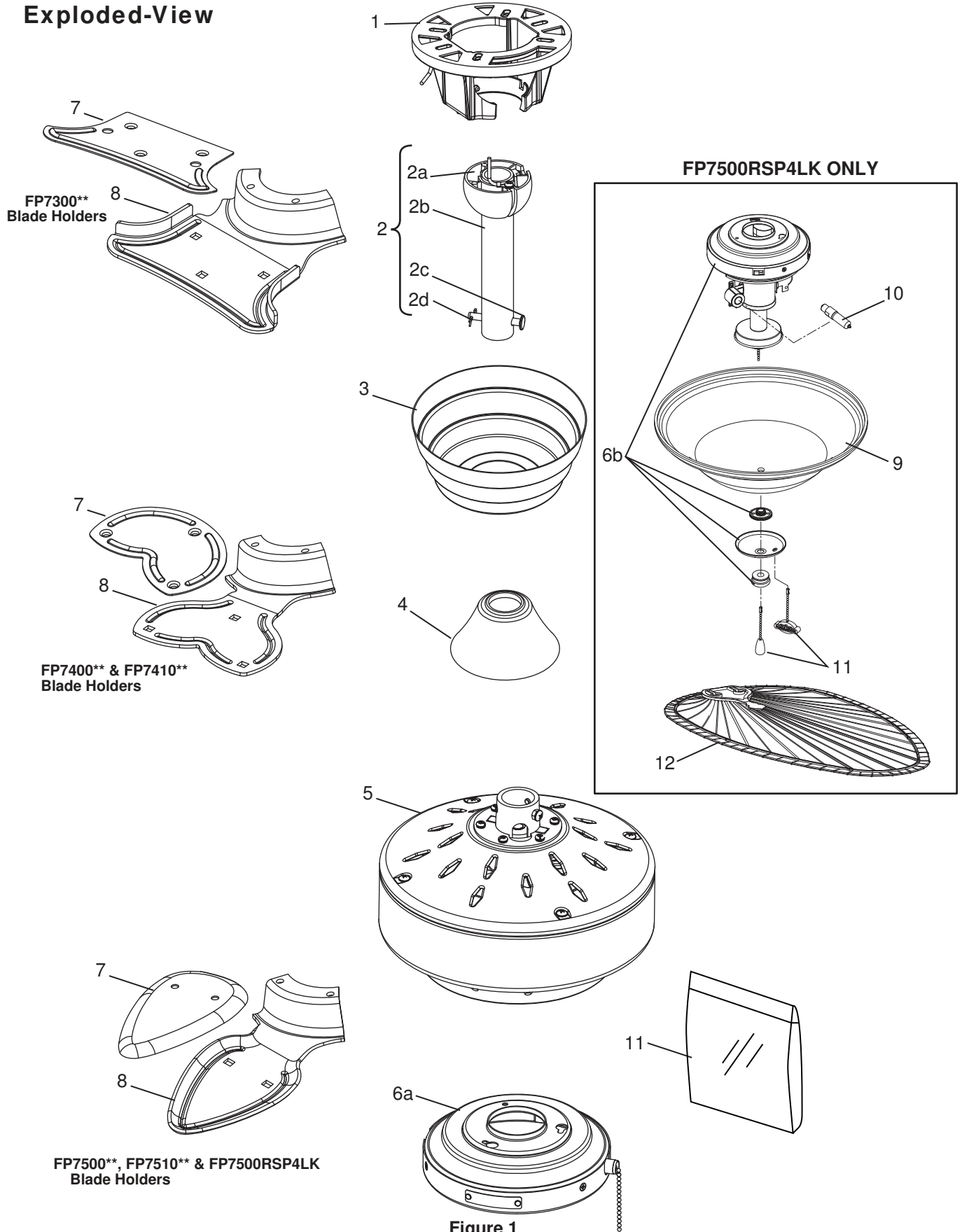
When ordering repair parts, always give the following information:

- Part Number
- Part Description
- Fan Model Number

Contact your retail store for repair parts.

**FP7300\*\*, FP7400\*\*, FP7410\*\*, FP7500\*\*, FP7510\*\* & FP7500RSP4LK**

**Exploded-View**



**Figure 1**

**NOTE:** The illustration shown is not to scale or its actual configuration may vary

# Trouble Shooting

## ⚠ WARNING

For your own safety turn off power at fuse box or circuit breaker before trouble shooting your fan.

Trouble	Probable Cause	Suggested Remedy
<b>1. FAN WILL NOT START</b>	<ol style="list-style-type: none"> <li>1. Fuse or circuit breaker blown.</li> <li>2. Loose power line connections to the fan, or loose switch wire connections in the switch housing.</li> <li>3. Reversing switch in neutral position.</li> </ol>	<ol style="list-style-type: none"> <li>1. Check main and branch circuit fuses or circuit breakers.</li> <li>2. Check line wire connections to fan and switch wire connections in the switch housings.</li> </ol> <p><b>CAUTION: Make sure main power is turned off !</b></p> <ol style="list-style-type: none"> <li>3. Make sure reversing switch position is all the way to one side.</li> </ol>
<b>2. FAN SOUNDS NOISY</b>	<ol style="list-style-type: none"> <li>1. Blades not attached to fan.</li> <li>2. Loose screws in motor housing.</li> <li>3. Screws securing fan blade holders to motor flywheel are loose.</li> <li>4. Wire connectors inside housing rattling.</li> <li>5. Motor noise caused by solid state variable speed control.</li> <li>6. Screws holding blades to blade holders are loose.</li> <li>7. Lower housing support set screw loose.</li> </ol>	<ol style="list-style-type: none"> <li>1. Attach blades to fan before operating.</li> <li>2. Check to make sure all screws in motor housing are snug (not over-tight).</li> <li>3. Check to make sure the screws which attach the fan blade holders to the motor flywheel are tight.</li> <li>4. Check to make sure wire connectors in switch housing are not rattling against each other or against the interior wall of the switch housing.</li> </ol> <p><b>CAUTION: Make sure main power is turned off !</b></p> <ol style="list-style-type: none"> <li>5. Some fan motors are sensitive to signals from solid-state variable speed controls. Solid-state controls are not recommended, choose an alternative control method.</li> <li>6. Tighten screws securely.</li> <li>7. Tighten set screw securely.</li> </ol>
<b>3. FAN WOBBLER EXCESSIVELY</b>	<ol style="list-style-type: none"> <li>1. Setscrew in downrod support is loose.</li> <li>2. Setscrew in downrod/hanger ball assembly is loose.</li> <li>3. Screws securing fan blade holders to motor hub are loose.</li> <li>4. Blade holders not seated properly.</li> <li>5. Hanger bracket and/or ceiling outlet box is not securely fastened.</li> <li>6. Fan blades out of balance.</li> </ol>	<ol style="list-style-type: none"> <li>1. Tighten both setscrews securely in downrod support.</li> <li>2. Tighten the setscrew in the downrod/hanger ball assembly.</li> <li>3. Check to be sure screws which attach the fan blade holders to the flywheel are tight.</li> <li>4. Check to be sure the fan blade holders seat firmly and uniformly to the surface of the motor housing. If holders are seated incorrectly, loosen the screws and retighten.</li> <li>5. Tighten the hanger bracket screws to the outlet box, and secure outlet box.</li> <li>6. Interchanging position of fan blades can redistribute the weight and result in a smoother operation. For example, exchange blades in positions 1 and 3 or 1 and 4. If this does not improve wobble, exchange 2 and 3 or 2 and 4.</li> </ol>
<b>4. NOT ENOUGH AIR MOVEMENT</b>		<ol style="list-style-type: none"> <li>1. If possible, consider using a longer downrod. For example, use a 12" downrod instead of the 6" downrod that comes with your fan.</li> </ol>



**10983 Bennett Parkway  
Zionsville, IN 46077  
Toll Free (888) 567-2055  
FAX (866) 482-5215**

**Outside U.S. call (317) 733-4113**

**Visit Our Website @[www.fanimation.com](http://www.fanimation.com)**

# The WindPointe®

## Ventiladores de techo

FP7500; modelo de 5 aspas

FP7300; modelo de 3 aspas

FP7500RSP4LK; modelo de 5 aspas

FP7400; modelo de 4 aspas

FP7510; modelo de 5 aspas

FP7410; modelo de 4 aspas

Modelo de ventilador Windpointe™ (estándar)	Peso neto (lb)	Peso neto (kg)
FP7300	28.46	12.91
FP7400	27.75	12.58
FP7410	26.29	11.95
FP7500	25.57	1.60
FP7510	25.57	1.60
FP7500RSP4LK	33.25	15.1

Modelos N.º FP7300 / FP7400 / FP7410 / FP7500 / FP7510 & FP7500RSP4LK

# MANUAL DEL PROPIETARIO

## LEA Y GUARDE ESTAS INSTRUCCIONES



# Instrucciones importantes de seguridad

**ADVERTENCIA:** siga estas instrucciones para prevenir incendios, descargas eléctricas y lesiones personales graves.

1. Lea el manual del propietario y la información de seguridad antes de instalar su nuevo ventilador. Observe los diagramas de ensamblaje adjuntos.
2. Antes de llevar a cabo el mantenimiento o la limpieza de la unidad, desconecte la electricidad en el panel de servicio y bloquee los medios de desconexión del mismo para evitar que se active accidentalmente. Si no se pueden bloquear los medios de desconexión del servicio, coloque un dispositivo de advertencia, como una etiqueta, en el panel de servicio.
3. Tenga cuidado con la estructura y las aspas del ventilador cuando limpie, pinte o trabaje cerca del mismo. Desconecte siempre la electricidad del ventilador de techo antes de llevar a cabo el mantenimiento.
4. No coloque ningún elemento en las aspas del ventilador cuando éste se encuentre en funcionamiento.
5. No accione el conmutador inversor hasta que las aspas del ventilador se hayan detenido por completo.

## Instrucciones de seguridad adicionales

1. Para evitar posibles descargas eléctricas, asegúrese de que la electricidad esté desconectada de la caja de fusibles antes de realizar la instalación eléctrica, y no haga funcionar el ventilador sin las aspas.
2. Todos los procedimientos de conexión eléctrica e instalación deben cumplir con los Códigos Eléctricos Nacionales (ANSI/NFPA 70-1999) y Códigos Locales. El ventilador de techo debe estar conectado a tierra a fin de prevenir posibles descargas eléctricas. La instalación eléctrica debe ser llevada a cabo o aprobada por un electricista autorizado.
3. Se debe fijar bien la base del ventilador; ésta debe ser capaz de soportar sin problemas al menos 22,7 kg (50 lb). Vea la página 18 del manual del propietario para ver los requisitos de soporte. Consulte a un electricista calificado si tiene dudas.
4. Las aspas del ventilador se deben instalar por lo menos a 2 m (7 pies) del suelo, a fin de evitar el contacto accidental con las mismas.
5. Siga las recomendaciones sobre el método correcto de instalación eléctrica de su ventilador de techo. Si no posee la experiencia o los conocimientos eléctricos adecuados, contrate a un electricista autorizado para instalar el ventilador.

**ADVERTENCIA:** Este producto está diseñado para ser utilizado sólo con las piezas suministradas o los accesorios indicados específicamente para el mismo. Si utiliza piezas o accesorios que no están indicados para su uso con este producto podría sufrir lesiones personales o dañar el ventilador.

**ADVERTENCIA:** Para reducir el riesgo de lesiones personales, no doble los soportes de aspas (borde o soporte de aspas) al instalar los soportes, balancear las aspas o limpiar el ventilador. No coloque objetos extraños entre las aspas del ventilador en funcionamiento.

**ADVERTENCIA:** para reducir el riesgo de incendios o descargas eléctricas no utilice este ventilador con ningún dispositivo de control de velocidad de estado sólido.

## GARANTÍA LIMITADA DE POR VIDA

Se extiende al comprador original de un Ventilador Fanimation.

1. GARANTÍA LIMITADA DE POR VIDA DEL MOTOR: si se produce una falla en alguna de las partes del motor de su ventilador debido a un defecto en los materiales o en la fabricación durante el tiempo de vida del comprador original, Fanimation proporcionará la pieza de repuesto sin cargo una vez que se devuelva el ventilador defectuoso a nuestro centro de servicios nacional. Se requiere comprobante de venta. El cliente se hará responsable de todos los gastos de remoción o reinstalación y envío del producto para reparaciones o sustitución.
2. GARANTÍA DE MANO DE OBRA DEL MOTOR POR UN AÑO: si el motor de su ventilador falla antes de cumplirse un año a partir del momento de su compra original debido a defectos en los materiales o en la fabricación, se efectuará la reparación del mismo sin cargo en nuestro centro de servicios nacional. El comprador se hará responsable de los gastos de mano de obra luego del período de un año. El cliente se hará responsable de todos los gastos de remoción o reinstalación y envío del producto para reparaciones o sustitución.
3. Si otra pieza del ventilador fallara dentro del período de un año a partir de la fecha de compra original debido a un defecto en los materiales o en la fabricación, repararemos o sustituiremos, según creamos conveniente, la pieza defectuosa sin cargo alguno en nuestro centro de servicios nacional.
4. Debido a las diversas condiciones climáticas, esta garantía no cubre cambios en el acabado, incluidos oxidación, corrosión, falta de brillo o peladuras.
5. Esta garantía es nula y no se aplica a daños por instalación incorrecta, negligencia, accidentes, uso indebido, exposición al calor o a la humedad en exceso, o como resultado de cualquier modificación realizada al producto original.
6. Todos los gastos de remoción y reinstalación del ventilador son responsabilidad exclusiva del propietario, y no de la tienda que vendió el ventilador o de Fanimation.
7. Fanimation se reserva el derecho de modificar o discontinuar un producto en cualquier momento, o sustituir cualquier pieza según lo establecido por esta garantía.
8. Bajo ninguna circunstancia se podrá devolver un ventilador sin previa autorización por parte de Fanimation. Las devoluciones autorizadas deberán ir acompañadas del recibo de venta y deberán enviarse a Fanimation, previo pago del flete. El ventilador que se devuelve deberá estar embalado en forma adecuada a fin de evitar daños durante su transporte. Fanimation no se hará responsable de los daños que resulten del mal empaquetamiento del producto.
9. Se entiende que las reparaciones y las sustituciones son el único recurso disponible de Fanimation. No existe ninguna garantía expresa o implícita. Por la presente, Fanimation niega todas las garantías implícitas, que incluyen, entre otras, la comerciabilidad y la aptitud para determinado fin hasta donde la ley lo permita. Algunos estados no permiten limitaciones sobre las garantías implícitas. Fanimation no se hará responsable por daños accidentales, resultantes o especiales derivados del uso o el rendimiento del producto o en conjunción con éste, excepto en los casos en los que la ley así lo disponga. Esta garantía le otorga derechos legales especiales y es posible que también goce de otros derechos que pueden variar según el estado.
10. Una cierta cantidad de movimiento oscilante es normal y no se debe considerar un problema o un defecto.

## Índice

Instrucciones para el desempaque .....	19	Ensamblaje y montaje de las aspas del ventilador y la caja del interruptor .....	24
Uso eficiente de la energía en ventiladores de techo .....	20	Unidad del kit de iluminación—SÓLO FP7500RSP4LK .....	26
Requisitos eléctricos y estructurales .....	20	Instrucciones de funcionamiento: cadena de encendido/apagado ..	27
Cómo ensamblar el ventilador de techo .....	21	Mantenimiento .....	27
Cómo colgar el ventilador de techo .....	22	Limpieza de las aspas .....	27
Cómo realizar la instalación eléctrica del ventilador de techo: cadena de encendido/apagado .....	23	Lista de piezas .....	28
Instalación de la cubierta del capuchón .....	23	Plano de despiece .....	30
		Solución de problemas .....	31

# Este manual está diseñado para facilitar, en la medida de lo posible, el ensamblaje, la instalación, el funcionamiento y el mantenimiento de su ventilador de techo

## Materiales

### Herramientas necesarias para el ensamblaje

- Destornillador Phillips
- Escalera de tijera
- Destornillador de 1/4"
- Pelacables
- Cuatro conectores de cables (incluidos)

La caja de distribución eléctrica y los conectores de la caja deben ser del tipo requerido por el código local. El cable más pequeño debe ser un cable de tres conductores (de dos conductores con conexión a tierra) del siguiente tamaño:

longitud del cable instalado	tamaño del cable según el A.W.G. (Calibre de Alambre Estadounidense)
hasta 15,2 m (50 pies)	14
de 15,2 a 30,5 m (50 a 100 pies)	12

**NOTA:** coloque las piezas de las bolsas de piezas individuales en un contenedor pequeño para evitar que se extravíen. Si faltan piezas, póngase en contacto con su proveedor local.

### ⚠ ADVERTENCIA

Antes de ensamblar el ventilador de techo, consulte la sección sobre el método correcto de instalación eléctrica del ventilador (página 28). Si siente que no posee la experiencia o los conocimientos eléctricos necesarios, contrate a un electricista autorizado para instalar el ventilador.

## Instrucciones para el Desempaque

Para su comodidad, marque cada uno de los pasos. A medida que completa cada paso, coloque una marca de verificación. Con esto se asegurará de completar todos los pasos y podrá saber desde dónde retomar si fuera interrumpido.

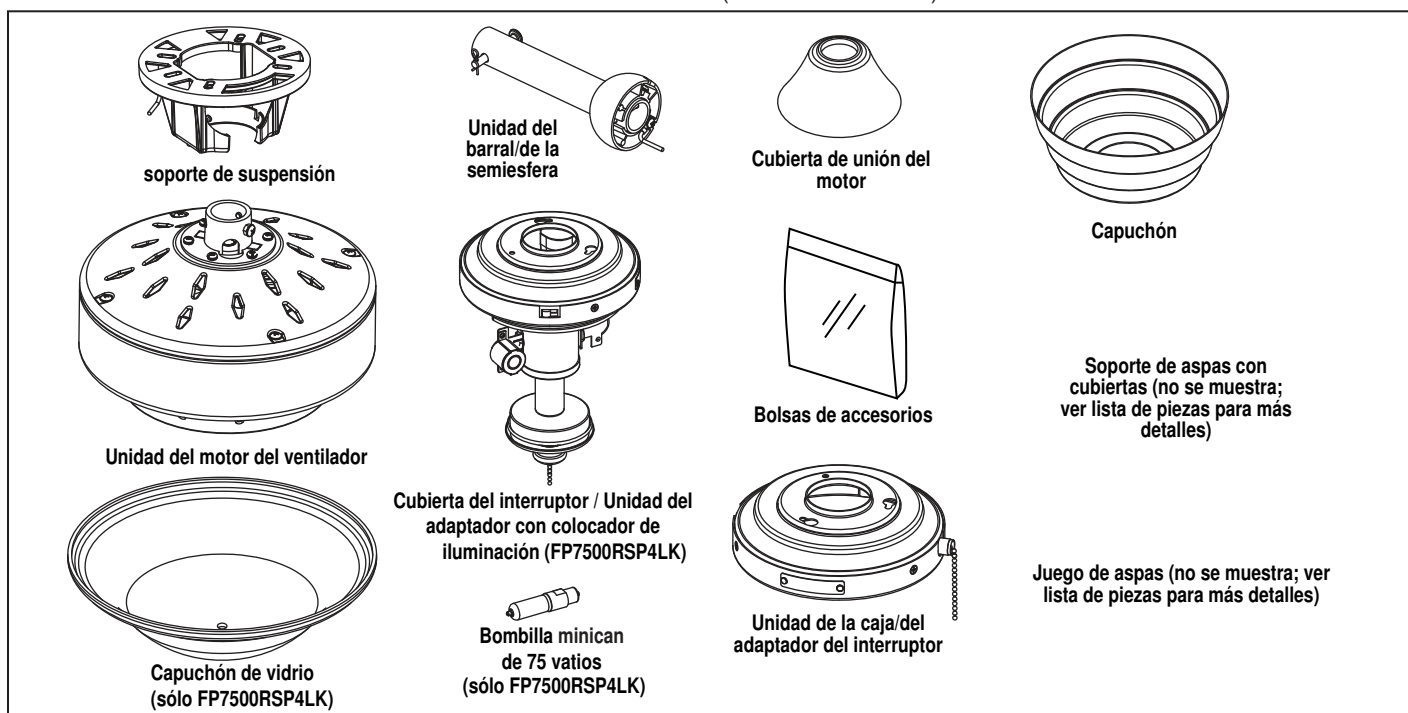
### ⚠ ADVERTENCIA

No instale ni utilice el ventilador si falta alguna pieza o si hay piezas dañadas. Este producto está diseñado para ser utilizado sólo con las piezas suministradas o los accesorios indicados por Fanimation específicamente para el mismo. La sustitución de piezas o accesorios que Fanimation no designó para usar con este producto podría ocasionar lesiones personales o daños en el ventilador. Póngase en contacto con su tienda si faltan piezas o hay piezas dañadas.

1. Verifique que haya recibido las siguientes piezas:

**NOTA:** si no está seguro de la descripción de una pieza, consulte la ilustración del despiece. (Figura 1, página 25)

- Unidad del motor del ventilador
- Unidad de la caja/del adaptador del interruptor
- Unidad del barral/de la semiesfera
- Soporte de suspensión
- Capuchón
- Cubierta de unión del motor
- Cubiertas de soporte de aspas
- Aspas
- Cubierta del interruptor / Unidad del adaptador con colocador de iluminación (sólo FP8075RSP4LK)
- Capuchón de vidrio (sólo FP8075RSP4LK)
- Bombilla (sólo FP8075RSP4LK)
- Bolsas de accesorios:
  - tornillos con arandelas de seguridad de 1/4-20 x 1/2" (soporte de aspas a buje del motor)
  - tornillos con arandelas de seguridad de 1/4-20 x 14mm (soporte de aspas a buje del motor) (sólo FP8075RSP4LK)
  - tuercas de cabeza redonda de 3/16"-24
  - tornillos con cabeza de arandela de 3/16"-24 x 11 mm (Modelos FP7300 y FP7400) (aspa a soporte de aspas)
  - tornillos con cabeza de arandela de 3/16"-24 x 17 mm (Modelo FP7500) (aspa a soporte de aspas)
  - tornillos con cabeza de arandela de 3/16"-24 x 13 mm (Modelo FP8075RSP4LK) (aspa a soporte de aspas)
  - destornillador Phillips de 4"
  - dos varillas roscadas de 5/32"
  - dos arandelas de seguridad de 5/32"
  - dos perillas estriadas
  - cable de soporte para techo con abrazadera
  - arandela plana
  - tornillo de cabeza cuadrada
  - cuatro conectores de cables
  - acoplador de cadena y cadena
  - kit de balanceo
  - Unidad de kit de cadena de encendido/apagado. Kit de iluminación (sólo FP8075RSP4LK)



## Uso eficiente de la energía en ventiladores de techo

El nivel de rendimiento y ahorro de energía de los ventiladores de techo dependen de su correcta instalación y uso. A continuación le presentamos algunas sugerencias para asegurar un rendimiento eficiente del producto.

### Selección del lugar de montaje adecuado

Los ventiladores de techo se deben instalar en el centro de la habitación, a 2 m (7 pies) de altura del piso como mínimo y 0,5 m (18 pulgadas) de las paredes. Si la altura del techo lo permite, instale el ventilador a 2,5 m (8-9 pies) por encima del suelo para un flujo de aire óptimo. Consulte en su tienda minorista de Fanimation para obtener accesorios de montaje opcionales.

### Apague el ventilador cuando no se encuentre en la habitación

Los ventiladores son para refrescar a la gente, no a las habitaciones. Si la habitación está vacía, apague el ventilador de techo para ahorrar energía.

### Uso del ventilador de techo todo el año

**En verano:** use el ventilador de techo en sentido contrario a las agujas del reloj. El flujo de aire que produce el ventilador creará un efecto frío del aire que lo refrescará más. Seleccione una velocidad que le proporcione una brisa confortable. Las velocidades más bajas consumen menos energía.

**En invierno:** invierta el motor y haga funcionar el ventilador de techo a velocidad baja y en el sentido de las agujas del reloj. Esto produce una suave corriente ascendente, que obliga al aire cálido que se acumula cerca del techo a bajar al espacio ocupado. No olvide ajustar el termostato cuando utilice el ventilador de techo. Con este sencillo paso puede ahorrar energía adicional y dinero.

## Requisitos eléctricos y estructurales

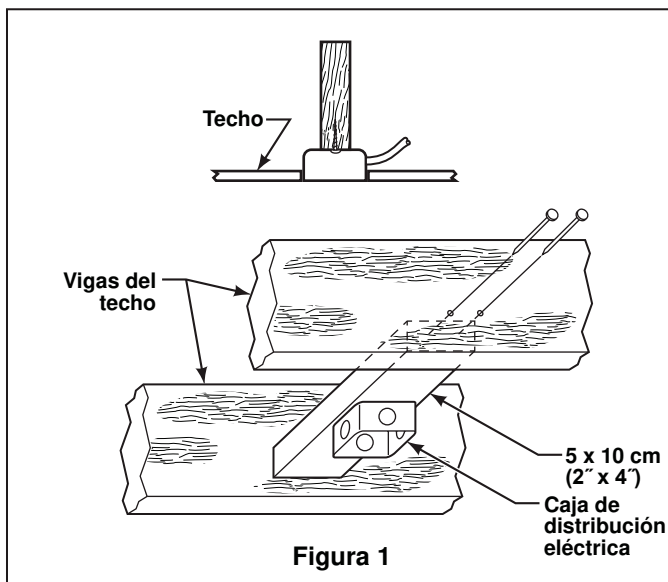
Su nuevo ventilador de techo requiere una línea de suministro eléctrico con conexión a tierra de 120 voltios de CA, 60 Hz, circuito de 15 amperios. La caja de distribución eléctrica debe estar bien asegurada y debe ser capaz de soportar una carga de, al menos, 22,7 kg (50 lb). La Figura 1 muestra diversas configuraciones estructurales que podrían utilizarse para montar la caja de distribución eléctrica.

### ⚠ ADVERTENCIA

Para reducir el riesgo de incendios, descargas eléctricas o lesiones personales, fije el ventilador a la caja de distribución eléctrica marcada como aceptable para un peso de 22,7 kg (50 lb) o menos. Utilice los tornillos suministrados con la caja de distribución eléctrica. La mayoría de las cajas de distribución eléctricas que comúnmente se utilizan como soporte de lámparas no sirven como soporte de ventiladores y es posible que deban reemplazarse. Consulte a un electricista calificado si tiene dudas.

### ⚠ ADVERTENCIA

Apagar el interruptor de pared no es suficiente. Para evitar posibles descargas eléctricas, asegúrese de que la electricidad esté desconectada de la caja de fusibles principal antes de realizar la instalación eléctrica. Toda instalación eléctrica debe cumplir con los Códigos Nacionales y Locales y el ventilador de techo debe tener la conexión a tierra adecuada como forma de precaución ante posibles descargas eléctricas.



### ⚠ ADVERTENCIA

A fin de evitar incendios o descargas eléctricas, siga con cuidado todas las instrucciones de instalación eléctrica. Cualquier trabajo eléctrico que no se describa en estas instrucciones deberá ser realizado o aprobado por un electricista autorizado.

# Cómo ensamblar el ventilador de techo

1. Afloje el tornillo de fijación de la semiesfera y retírela hasta que ésta pueda desplazarse libremente por el barral. (Figura 1) Retire el pasador del barral y luego extraiga la semiesfera. Conserve el pasador y la semiesfera para su reinstalación en el Paso 5.

2. El ventilador viene con cables de 2 m (80") de color azul, negro y blanco, y cable de seguridad. Separe y desenrosque los tres cables y el cable de seguridad. Pase los cables a través del barral.

**NOTA:** podrá utilizar el barral de 15 cm (6") que viene con el ventilador o un barral optativo comprado por separado.

3. Afloje los dos tornillos de fijación del soporte del barral. Alinee los orificios del pasador en el barral con los orificios del soporte del mismo. Coloque el pasador y asegúrelo con el pasador de horquilla. (Figura 3) Asegúrese de empujar la pata recta del pasador de horquilla a través del orificio cerca de la punta del pasador hasta que la parte curva del pasador de horquilla se cierre con un clic alrededor del pasador. El pasador de horquilla debe estar instalado correctamente para evitar que el pasador se afloje. Tire del barral para asegurarse de que el pasador está instalado correctamente.

## ⚠ ADVERTENCIA

Es de suma importancia que el pasador del soporte del barral esté colocado correctamente y que los tornillos de fijación estén bien ajustados. Si el pasador y los tornillos de fijación no están correctamente colocados, el ventilador podría caerse.

4. Pase los cables a través de la cubierta de unión del motor y el capuchón del ventilador como se muestra, con el lado abierto apuntando hacia arriba. (Figura 3)

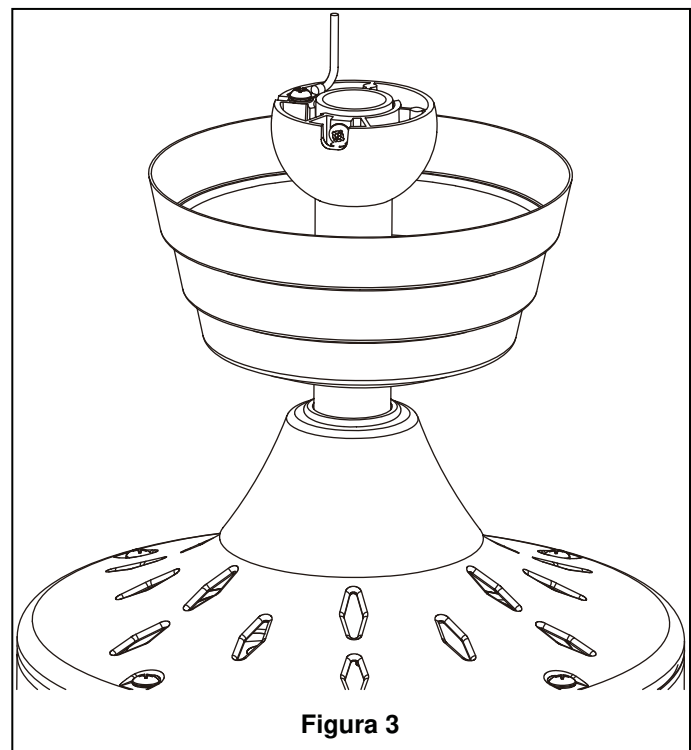
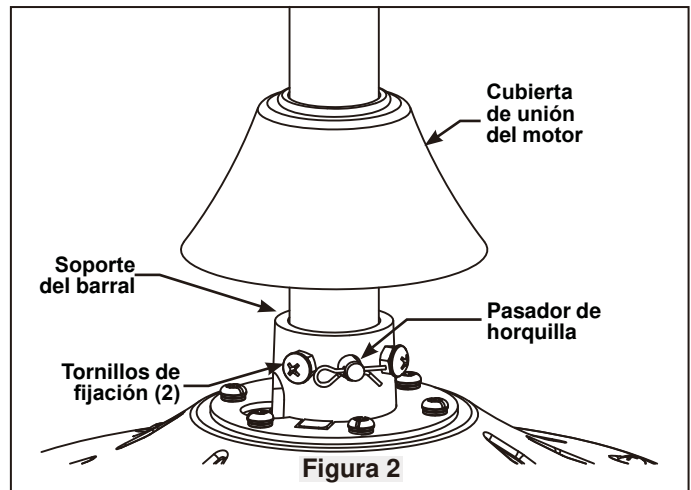
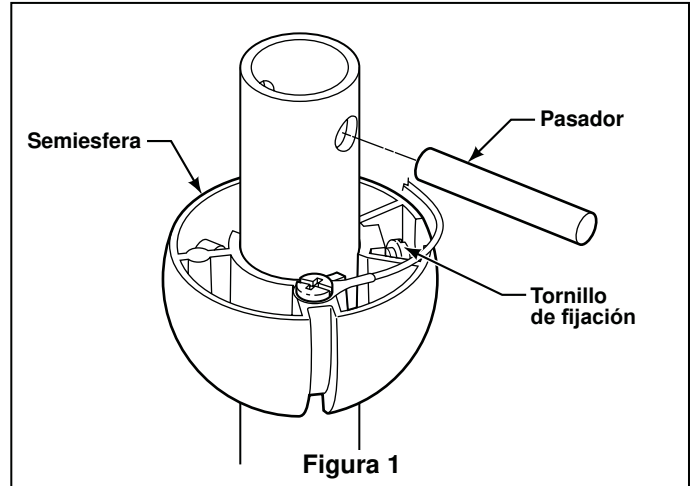
5. Vuelva a colocar la semiesfera (Figura 1) en el barral como se indica a continuación. Pase los tres cables de 2 m (80") y el cable de seguridad a través de la semiesfera. Pase el pasador a través de los dos orificios en el barral y alinee la semiesfera de modo que el pasador quede atrapado en la ranura de la parte superior de la misma. Empuje la semiesfera hacia arriba, bien ajustada contra el pasador. **Ajuste firmemente el tornillo de fijación de la semiesfera. Si el tornillo está flojo, podría provocar oscilación del ventilador.**

6. Mientras empuja la semiesfera hacia arriba, ajuste bien los dos tornillos de fijación de 3/16-24 x 3/8" del soporte de barral. Deslice la cubierta de unión del motor hacia abajo. (Figuras 2 y 3)

7. El ventilador viene con cables de color azul, negro y blanco, y cable de soporte. Antes de instalar el ventilador, mida aproximadamente de 15 a 23 cm (6 a 9 pulgadas) por encima de la parte superior de la unidad del barral/de la semiesfera. Corte el excedente de cable y pele 1,2 cm (1/2") del aislamiento a partir del extremo del cable.

8. Se deben revisar todos los tornillos y volver a ajustarlos según sea necesario antes de realizar la instalación.

9. De esta manera completó el ensamblaje superior de su nuevo ventilador de techo. Ahora puede continuar con las instrucciones para colgar el ventilador y realizar la instalación eléctrica.



# Cómo colgar el ventilador de techo

## ⚠ ADVERTENCIA

Para evitar posibles descargas eléctricas, asegúrese de que la electricidad esté desconectada de la caja de fusibles principal antes de colgar el ventilador.

**NOTA:** si no está seguro si la caja de distribución eléctrica tiene conexión a tierra, pida asesoramiento a un electricista autorizado, ya que la conexión a tierra es importante para un funcionamiento seguro.

## ⚠ ADVERTENCIA

Las aspas del ventilador deben estar suspendidas, al menos, a 2 m (7') del piso (Figura 1)

## ⚠ ADVERTENCIA

La caja de distribución eléctrica debe estar bien asegurada y debe ser capaz de soportar una carga de al menos 22,7 kg (50 lb). El soporte de suspensión debe estar colocado firmemente contra la caja de distribución eléctrica. Si la caja de distribución eléctrica está empotrada, retire la tablaroca hasta que el soporte haga contacto con la caja. Si el soporte o la caja de distribución eléctrica no están bien asegurados, el ventilador podría oscilar o caerse.

## PRECAUCIÓN

No conecte las aspas hasta que el ventilador esté totalmente instalado. Colgar el ventilador con las aspas conectadas podría ocasionar daños en las mismas.

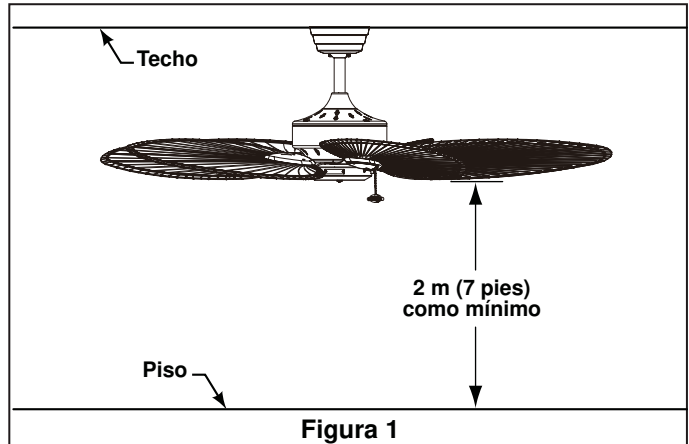


Figura 1

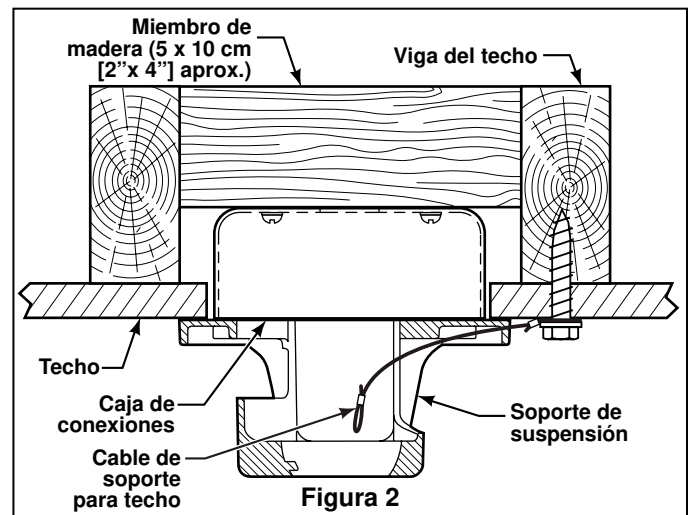


Figura 2

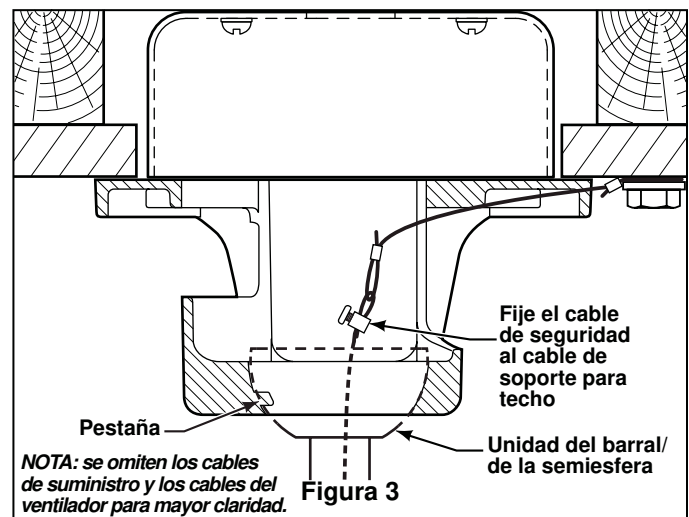


Figura 3

**⚠ ADVERTENCIA**

Si la pestaña no está en la ranura, podrían producirse daños en los cables eléctricos y posibles descargas eléctricas o incendios.

**⚠ ADVERTENCIA**

Para evitar una posible descarga eléctrica, no aprisione los cables entre la unidad del barral/de la semiesfera y el soporte de suspensión.

1. Con el tornillo de cabeza cuadrada de  $\frac{3}{8}$ "x2" y la arandela plana, fije el cable de seguridad a la viga del techo o al miembro de madera estructural. El tornillo de cabeza cuadrada debe pasar a través de la arandela plana y el aro del cable de seguridad hacia adentro de la estructura del edificio (Figura 2). Primero taladre un orificio guía de 0,6 cm ( $\frac{1}{4}$ " en la estructura del edificio para prevenir roturas o rajaduras.

2. Ajuste bien el soporte de suspensión a la caja de conexiones del techo apta para soporte de ventilador.

**NOTA:** el cable de soporte para techo no se puede asegurar solamente a la caja de conexiones; se debe asegurar directamente a la viga de techo o miembro estructural con el tornillo de cabeza cuadrada de  $\frac{3}{8}$ "x2" y la arandela plana. (Figura 2)

3. Asegúrese de que los cables de suministro eléctrico, incluido el cable de conexión a tierra del soporte de suspensión y el cable de seguridad, hayan atravesado el barral, entre el soporte de suspensión y la caja de conexiones, de modo que más tarde se pueda realizar la instalación eléctrica.

4. Con cuidado, levante el ventilador y apoye la unidad del barral/de la semiesfera en el soporte de suspensión que acaba de fijar a la viga del techo. Asegúrese de que la ranura en la semiesfera esté alineada con la pestaña del soporte de suspensión. (Figura 3)

5. Fije el cable de seguridad al cable de soporte para techo. Deslice la abrazadera de cables por el cable de seguridad (del ventilador). Pase el extremo del cable a través del aro que forma el cable de soporte para techo. Tire lo más posible del cable a través del aro. Inserte el extremo del cable en el orificio de la abrazadera y ajuste firmemente el tornillo (Figura 3). Corte el exceso de cable de seguridad.

## Cómo realizar la instalación eléctrica del ventilador de techo: cadena de encendido/apagado

*Si siente que no posee la experiencia o los conocimientos eléctricos necesarios, contrate a un electricista autorizado para instalar el ventilador.*

### ⚠ ADVERTENCIA

Para evitar posibles descargas eléctricas, asegúrese de que la electricidad esté desconectada de la caja de fusibles principal antes de realizar la instalación eléctrica.

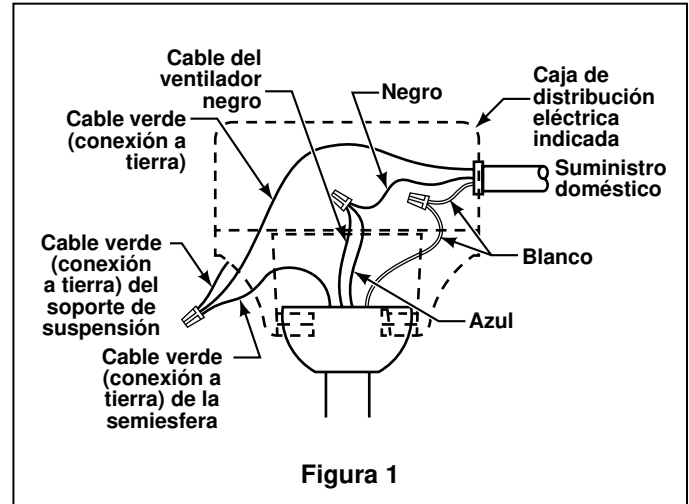
**NOTA:** si no está seguro si la caja de distribución eléctrica tiene conexión a tierra, pida asesoramiento a un electricista autorizado, ya que la conexión a tierra es importante para un funcionamiento seguro.

1. Conecte el cable de conexión a tierra verde de la semiesfera y el cable de conexión a tierra verde del soporte de suspensión al conductor con conexión a tierra (el mismo puede ser un cable desnudo o un cable con aislamiento de color verde). Conecte los cables con los conectores de cables suministrados.

2. Conecte el cable blanco del motor del ventilador al cable de suministro blanco (neutro) con el conector de cables suministrado. Conecte el cable negro del motor del ventilador y el cable azul al cable de suministro negro con el conector de cables suministrado (Figura 1).

3. Luego de empalmar los cables y realizar la conexión, sepárelos y dóblelos hacia arriba con el conductor con conexión a tierra y el conductor con conexión a tierra del equipo en un lado de la caja de distribución eléctrica y el conductor sin conexión a tierra del otro lado.

4. Asegure el capuchón al soporte de suspensión con las varillas roscadas, las arandelas de seguridad externas y las perillas estriadas suministradas (vea instrucciones a continuación).



### ⚠ ADVERTENCIA

Verifique que todas las conexiones estén bien ajustadas, incluida la conexión a tierra, y que no haya ningún cable desnudo visible en los conectores de cables, a excepción del cable de conexión a tierra. No haga funcionar el ventilador hasta que las aspas estén colocadas. Podrían producirse ruidos y daños en el ventilador.

## Instalación de la cubierta del capuchón

**NOTA:** este paso se debe realizar luego de completar la instalación eléctrica necesaria. (vea la página 21)

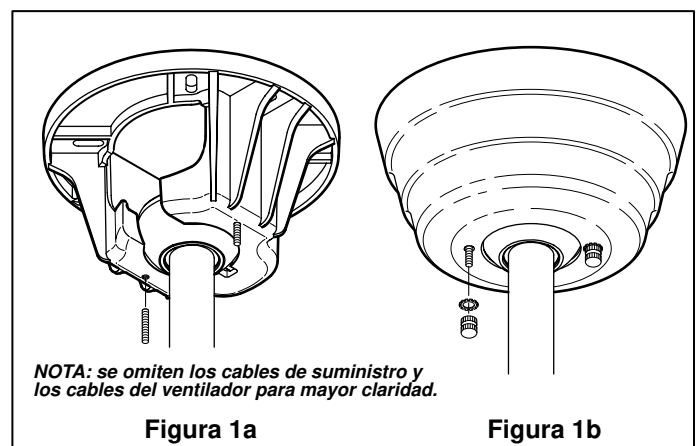
### ⚠ ADVERTENCIA

Para evitar posibles incendios o descargas eléctricas, asegúrese de que los cables eléctricos se encuentren completamente adentro de la cubierta del capuchón y de que no están aprisionados entre la cubierta y el techo.

1. Atornille dos varillas roscadas en el soporte de suspensión (Figura 1).

**NOTA:** las varillas roscadas del soporte de suspensión sirven de guía para facilitar la instalación.

2. Ajuste bien la cubierta del capuchón al soporte de suspensión con las arandelas de seguridad y las perillas estriadas suministradas con el ventilador (Figura 2).



# Ensamblaje y montaje de las aspas del ventilador y la caja del interruptor

## NOTA DE INSTALACIÓN

No conecte las aspas hasta que el ventilador esté totalmente instalado. Instalar el ventilador con las aspas colocadas podría ocasionar daños en las mismas.

## ⚠ ADVERTENCIA

Para reducir el riesgo de lesiones personales, no doble los soportes de aspas al instalarlos, balancear las aspas o limpiar el ventilador. No coloque objetos extraños entre las aspas del ventilador en funcionamiento.

1. Retire y deseche los topes (de goma) del motor extrayendo los cinco tornillos. (Figura 1)

### Unidad del aspa/del soporte de aspas:

2. Apoye el lado liso del soporte de aspas sobre una superficie plana, con la parte interior del soporte mirando hacia arriba.

3. Ensamble el aspa en el soporte de aspas con las tuercas de cabeza redonda, los tornillos con cabeza de arandela y la cubierta de aspas. Asegúrese de que la parte inferior del aspa se encuentre bien apoyada sobre el soporte.

4. Ajuste los tornillos con el destornillador suministrado; no ajuste por completo. (Figura 2)

5. Ajuste las aspas ensambladas y los soportes al buje del motor con los tornillos y las arandelas de seguridad suministrados. (Figura 3)

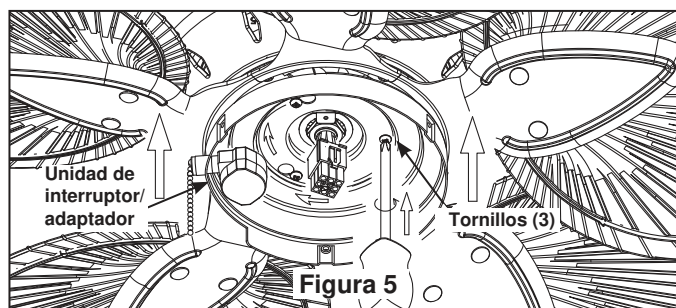
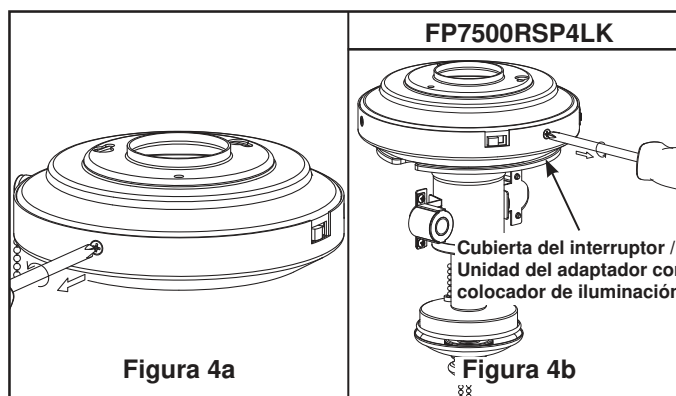
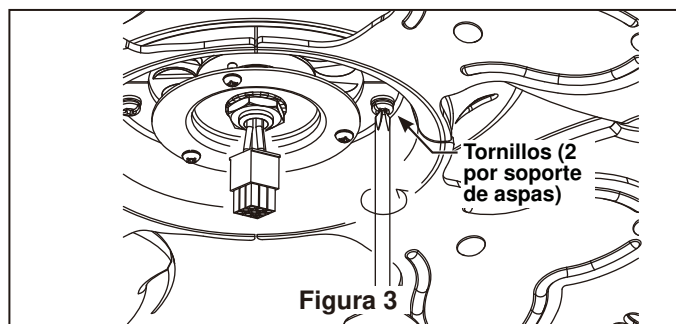
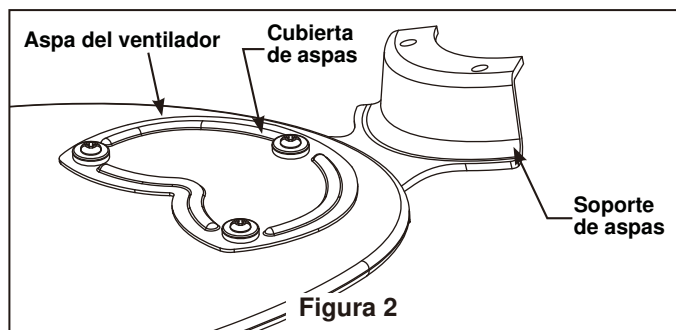
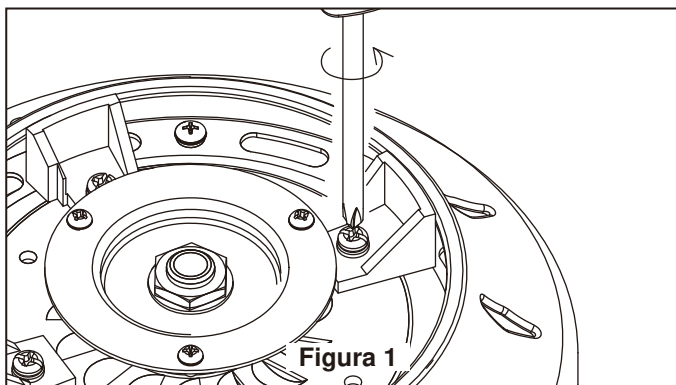
6. Asegúrese de que los tornillos que fijan los soportes de aspas al buje del motor estén bien ajustados y que los soportes de aspas estén correctamente colocados.

### Unidad de la caja/del adaptador del interruptor:

7a. Desarme la unidad de la caja/del adaptador del interruptor retirando 3 tornillos. (Figura 4a)

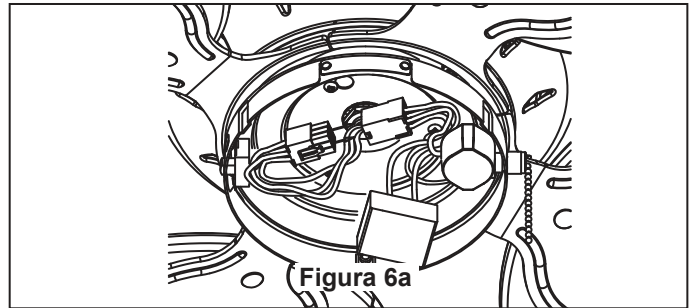
7b. <<SÓLO FP7500RSP4LK>> Desmonte la unidad del adaptador / cubierta del interruptor de la carcasa extrayendo los tres tornillos. (Figura 4b)

8. Retire uno de los tres tornillos del soporte. Afloje ligeramente los dos tornillos restantes. Ensamble la unidad de la caja del adaptador del interruptor en el soporte de la caja mediante las dos ranuras en la unidad del adaptador. Reemplace el tercer tornillo y ajuste bien los tres tornillos. (Figura 5)

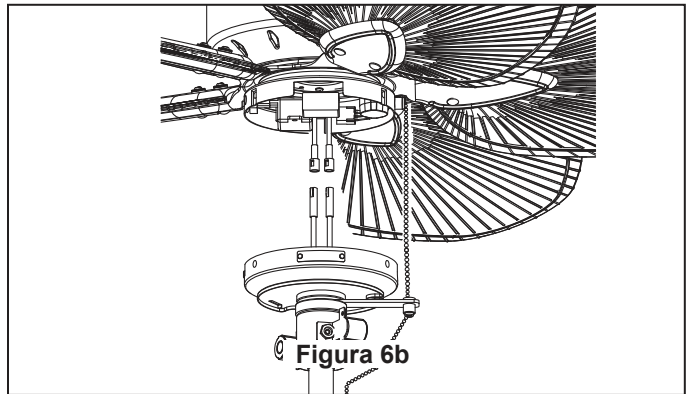


## Ensamblaje y montaje de las aspas del ventilador y la caja del interruptor (Cont.)

**9a.** Ensamble el adaptador en el soporte de la caja y ajuste tres tornillos. Ajuste firmemente la caja del interruptor de 9 pasadores al enchufe del mazo de cables dentro del adaptador.(Figura 6a)



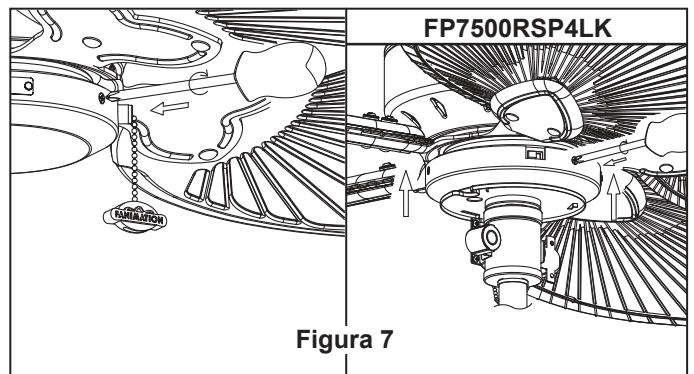
**9b. <<SÓLO FP7500RSP4LK>>** Conecte el conector de 2 clavijas desde el colocador de iluminación de la carcasa de la cubierta del interruptor hacia el conector de 2 clavijas desde la unidad del motor. (Figura 6b)



**10.** Instale el soporte del interruptor de la carcasa en el adaptador ensamblado mediante los tres tornillos. (Figura 7)

**11a.** Vuelva a conectar la electricidad. El ventilador se encuentra ahora conectado y se puede encender y apagar por medio del control de velocidad de cadena de encendido/apagado.

**11b. <<SÓLO FP7500RSP4LK>>** continuarás la unidad del kit de iluminación proceso.

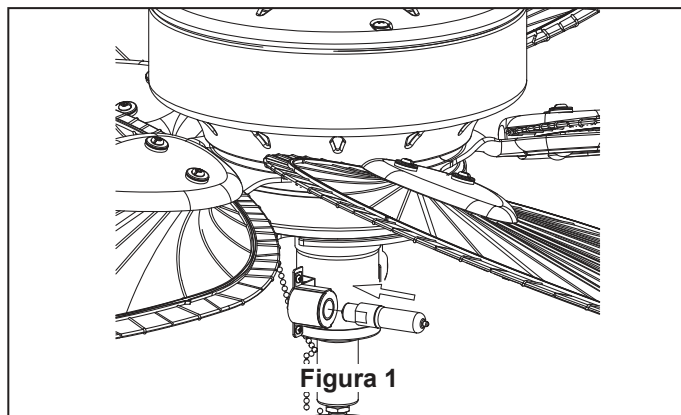


## Unidad del kit de iluminación—SÓLO FP7500RSP4LK

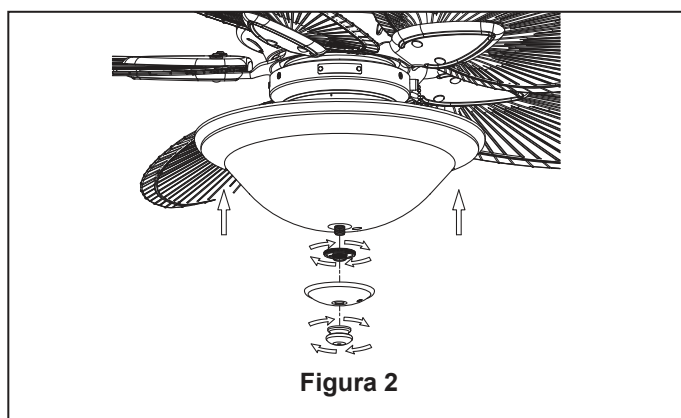
1. Instale las bombillas del candelabro incluidas en cada una de los tres casquillos. (Figura 1)

### **⚠ PRECAUCIÓN**

La bombilla está presurizada y puede quebrarse. **NO TOQUE LA BOMBILLA CON LAS MANOS DESPROTEGIDAS.** Las huellas dactilares en la bombilla pueden reducir la vida útil de la misma. Elimine las huellas dactilares con alcohol antes de usar la bombilla. Para disminuir el riesgo de incendios, utilice una bombilla minican tipo T4 JD E11 de tungsteno halógena de 75 vatios como máximo. Apague el interruptor de pared y deje enfriar la bombilla durante 10 minutos antes de sustituirla.

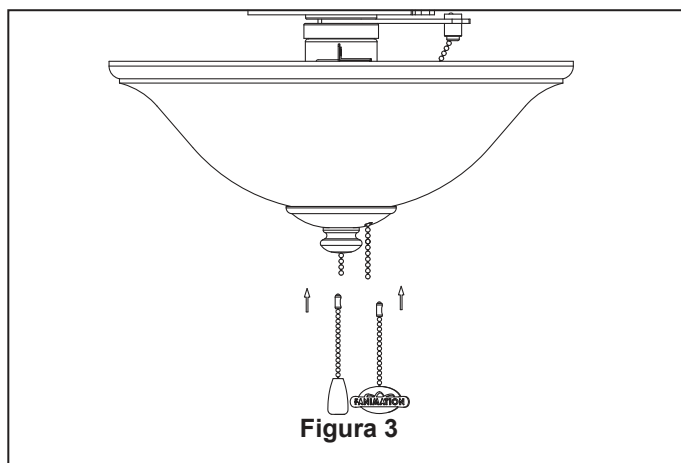


2. Asegure la decoración redonda de cristal para el colocador de la iluminación utilizando la tuerca suministrado. A continuación, instale la carcasa elegante seguido del elemento final. No apriete en exceso. (Figura 2)



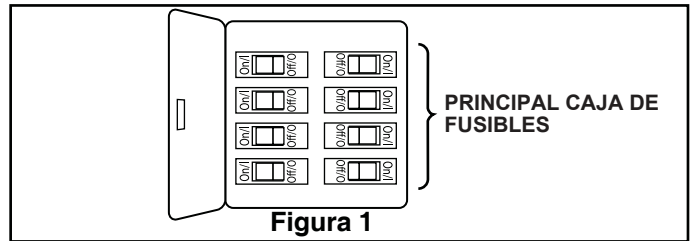
3. Instale los acopladores y las cadenas de encendido/apagado. (Figura 3)

4. Vuelva a conectar la electricidad. El ventilador se encuentra ahora conectado y se puede encender y apagar por medio del control de velocidad y juego de luces de cadena de encendido/apagado.

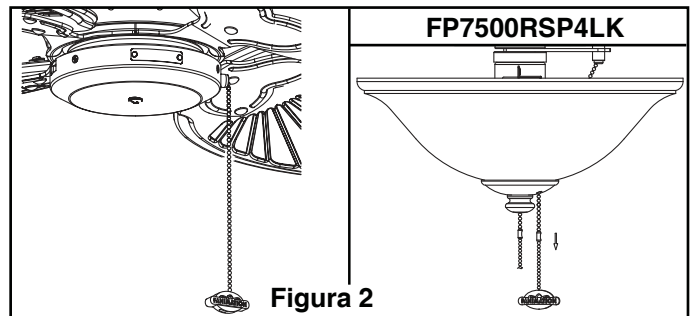


# Instrucciones de funcionamiento de la cadena de encendido/apagado

1. Restablezca la alimentación eléctrica en la caja de salida volviendo a conectar la electricidad de la caja de fusibles principal. (Figura 1)

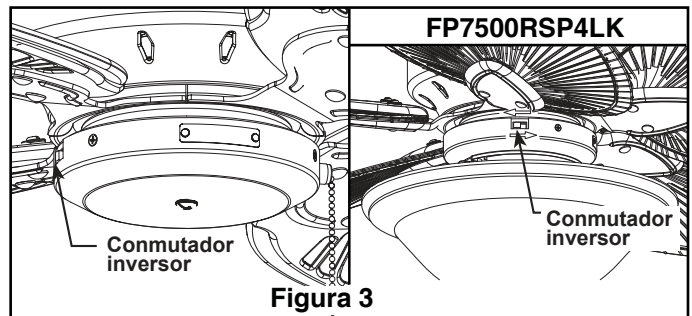


2. Verifique el funcionamiento del ventilador tirando levemente de la cadena de encendido/apagado para el control de la velocidad. (Figura 2)



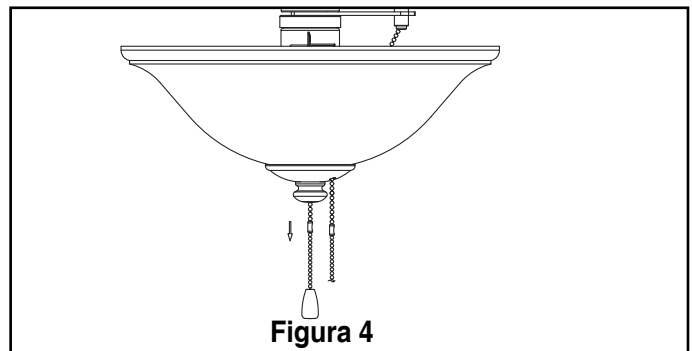
Secuencia de funcionamiento de la cadena del tirador	
1.ª tirada	Alta
2.ª tirada	Media
3.ª tirada	Baja
4.ª tirada	Apagado

3. Si desea que el flujo de aire se desplace en la dirección opuesta, apague el ventilador y espere a que las aspas se detengan. Luego deslice el conmutador inversor a la posición contraria y vuelva a encender el ventilador. Su modelo de ventilador está equipado con un interruptor de cadena de 4 posiciones y 3 velocidades. (Figura 3)



Información sobre el interruptor de reversa		
Temporada	Dirección de rotación	Posición del interruptor
Verano	En dirección contraria a las manecillas del reloj	Derecha
Invierno	En dirección de las manecillas del reloj	Izquierda

4. <<SÓLO FP7500RSP4LK>> comprobar el funcionamiento de la luz hacia abajo tirando suavemente de la cadena del tirón luz. (Figura 4)



Secuencia de funcionamiento de la cadenilla del kit de iluminación	
1.ª tirada	Encendido
1.ª tirada	Apagado

## Mantenimiento

El único mantenimiento necesario para el ventilador de techo es una limpieza periódica.

Al llevar a cabo la limpieza, use sólo un cepillo suave o un paño sin pelusas, para evitar rayar el acabado.

No se requieren agentes abrasivos de limpieza; los mismos deben evitarse para prevenir daños en el acabado.

### PRECAUCIÓN

No utilice agua para limpiar el ventilador de techo. Podría dañar el motor o las aspas y ocasionar posibles descargas eléctricas.

## Limpieza de las aspas

Se recomienda limpiar el polvo de las aspas periódicamente. Lo mejor es utilizar un plumero.

Evite usar agua, productos de limpieza o trapos ásperos, que pueden combar o dañar las aspas.

# Lista de piezas

Modelos FP7300RS, FP7400\*\*, FP7410\*\*

N.º de Ref.	Descripción	Pieza N.º FP7300RS	Pieza N.º FP7400**	Pieza N.º FP7410**
1	Unidad del soporte de suspensión	APG610BL	APG610BL	APG610BL
2	<i>Unidad del barral/de la semiesfera que contiene:</i>	ADR1-6**	ADR1-6**	ADR1-6**
2a	Unidad de la semiesfera			
2b	Barral			
2c	Pasador de horquilla			
2d	Pasador			
3	Capuchón	PG165**	PG165**	PG165**
4	Cubierta de unión del motor	P81090**	P81090**	P81090**
5	Unidad del motor del ventilador	AMA51**	AMA55**	AMA55**
6	Unidad de la caja/del adaptador del interruptor	AP5005**	AP5005**	AP5005**
	Mazo de cables (parte de la unidad de la caja/del adaptador)	AP5006	AP5006	AP5006
7	Cubierta del soporte de aspas	AP5061**	AP5065**	AP5065**
8	Soporte de aspas	AP5051**	AP5055**	AP5055**
9	<i>Bolsa de accesorios que contiene:</i>	HDWFP51**	HDWFP55**	HDWFP55**
	Varillas roscadas de 5/32" (2)	HDWHW50	HDWHW50	HDWHW50
	Arandelas de seguridad externas de 5/32" (2)			
	Perillas estriadas (2)			
	Kit de balanceo de aspas (KTBAL)			
	Acoplador de cadena			
	Cadena			
	Conectores de cables (4)			
	<i>Bolsa de accesorios para el montaje de aspas que contiene:</i>	HDWBM51**	HDWBM55**	HDWBM55**
	Tornillos con cabeza de arandela de 3/16"-24 x 11 mm (modelos FP7300 y FP7400)			
	Tornillos con cabeza de arandela de 3/16"-24 x 17 mm (modelo FP7500)			
	Tuercas de cabeza redonda de 3/16"-24	HDWBH53**	HDWBH53**	HDWBH53**
	<i>Bolsa de accesorios para el montaje de los soportes de aspas que contiene:</i>			
	Tornillos de cabeza tipo Phillips de ¼"-20 x ½" con arandelas de seguridad			
	Destornillador Phillips de 4"	HWBSCABLE	HWBSCABLE	HWBSCABLE
<i>Bolsa con cable de soporte que contiene:</i>				
Cable de soporte para techo con abrazadera				
Tornillo de cabeza cuadrada de ¾" x 2"				
Arandela plana				
No se muestra	Aspas	B3000BW (3)	B4010CP (4) de 7400AB B4020SS (4) de 7400RS	B4020SS (4) de 7410AB B4010CP (4) de 7410OB

\*\*Inserte los CÓDIGOS DE ACABADO (Consulte el número de modelo del ventilador que se encuentra en el soporte de barral)

**Antes de desechar los materiales de embalaje, asegúrese de haber extraído todas las piezas**

## Cómo hacer un pedido de piezas

Al hacer un pedido de piezas de repuesto, proporcione siempre la siguiente información:

- Número de pieza
- Descripción de la pieza
- Número de modelo del ventilador

Póngase en contacto con su tienda para obtener las piezas de repuesto.

# Lista de piezas

## Modelos FP7500\*\*, FP7510MW y FP7500RSP4LK

N.º de Ref.	Descripción	Pieza N.º FP7500**	Pieza N.º FP7510MW	Pieza N.º FP7500RSP4LK
1	Unidad del soporte de suspensión	APG610BL	APG610BL	APG610BL
2	<i>Unidad del barral/de la semiesfera que contiene:</i>	ADR1-6**	ADR1-6**	ADR1-6RS
2a	Unidad de la semiesfera			
2b	Barral			
2c	Pasador de horquilla			
2d	Pasador			
3	Capuchón	PG165**	PG165**	PG165RS
4	Cubierta de unión del motor	P81090**	P81090**	AP1115RS
5	Unidad del motor del ventilador	AMA53**	AMA53**	AMA7500RSP4LK
6a	Unidad de la caja/del adaptador del interruptor	AP5005**	AP5005**	—
	Mazo de cables (parte de la unidad de la caja/del adaptador)	AP5006	AP5006	
6b	Cubierta del interruptor / Unidad del adaptador con colocador de iluminación (FP7500RSP4LK)	—	—	AP750003RS
7	Cubierta del soporte de aspas	AP5063**	AP5063**	AP5063RS
8	Soporte de aspas	AP5053**	AP5053**	AP5053RS
9	Capuchón de vidrio (sólo FP7500RSP4LK)	—	—	P801102FW
10	Bombilla (sólo FP7500RSP4LK)	—	—	PPE11B75
11	<i>Bolsa de accesorios que contiene:</i>	HDWFP53**	HDWFP53**	HDWFP7500RSP4LK
	Varillas roscadas de 5/32" (2)	HDWHW50	HDWHW50	
	Arandelas de seguridad externas de 5/32" (2)			
	Perillas estriadas (2)			
	Kit de balanceo de aspas (KTBAL)			
	Acoplador de cadena			
	Cadena			
	Conectores de cables (4)			
	Kit de cadena de encendido/apagado-Luz (sólo FP7500RSP4LK)			
	<i>Bolsa de accesorios para el montaje de aspas que contiene:</i>	HDWBM53**	HDWBM53**	
	Tornillos con cabeza de arandela de 3/16"-24 x 11 mm (modelos FP7300 y FP7400)	HDWBH53**	HDWBH53**	
	Tornillos con cabeza de arandela de 3/16"-24 x 17 mm (modelo FP7500)			
	Tornillos con cabeza de arandela de 3/16"-24 x 13 mm (modelo FP7500RSP4LK)			
	Tuercas de cabeza redonda de 3/16"-24			
	<i>Bolsa de accesorios para el montaje de los soportes de aspas que contiene:</i>	HDWBH53**	HDWBH53**	
	Tornillos de cabeza tipo Phillips de ¼-20 x ½" con arandelas de seguridad			
	Tornillos de cabeza tipo Phillips de ¼-20 x 14 con arandelas de seguridad (modelo FP7500RSP4LK)			
Destornillador Phillips de 4"				
<i>Bolsa con cable de soporte que contiene:</i>	HWBSCABLE	HWBSCABLE		
Cable de soporte para techo con abrazadera				
Tornillo de cabeza cuadrada de ¾" x 2"				
Arandela plana				
No se muestra	Aspas	ISP4 (5) de 7500AB ISP5 (5) de 7500MW ISD4A (5) de 7500RS	APW22MW (5)	—
12	Aspas (sólo FP7500RSP4LK)	—	—	APBPP4BR (5) for 7500RSP4LK

\*\*Inserte los CÓDIGOS DE ACABADO (Consulte el número de modelo del ventilador que se encuentra en el soporte de barral)

**Antes de desechar los materiales de embalaje, asegúrese de haber extraído todas las piezas**

### Cómo hacer un pedido de piezas

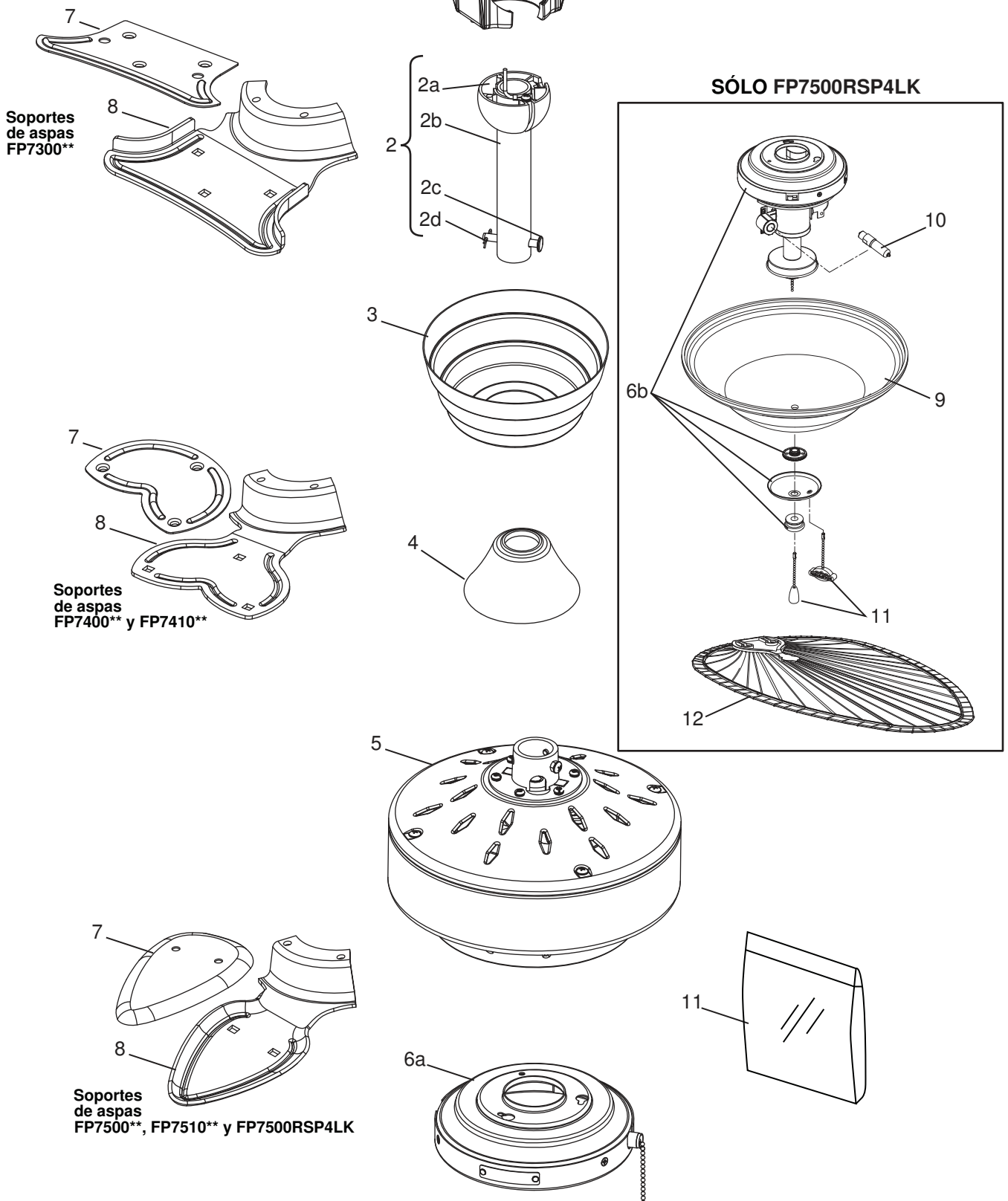
Al hacer un pedido de piezas de repuesto, proporcione siempre la siguiente información:

- Número de pieza
- Descripción de la pieza
- Número de modelo del ventilador

Póngase en contacto con su tienda para obtener las piezas de repuesto.

**FP7300\*\*, FP7400\*\*, FP7410\*\*, FP7500\*\*, FP7510\*\* y FP7500RSP4LK**

**Despiece**



**Figura 1**

**NOTA: la ilustración que se muestra no está hecha a escala y su configuración real puede variar**

# Solución de problemas

## ADVERTENCIA

Para su propia seguridad, desconecte la electricidad de la caja de fusibles o disyuntor antes de solucionar problemas en su ventilador.

Problema	Causa posible	Solución sugerida
<b>1. EL VENTILADOR NO ARRANCA</b>	<ol style="list-style-type: none"> <li>1. El fusible o el disyuntor están fundidos.</li> <li>2. Las conexiones eléctricas del ventilador o del interruptor en la caja del interruptor están flojas.</li> <li>3. El conmutador inversor se encuentra en posición neutra.</li> </ol>	<ol style="list-style-type: none"> <li>1. Controle los fusibles del circuito principal y derivado o los disyuntores.</li> <li>2. Controle las conexiones eléctricas del ventilador y del interruptor en las cajas de los interruptores.</li> </ol> <p><b>PRECAUCIÓN: ¡Asegúrese de que el suministro principal de electricidad esté desconectado!</b></p> <ol style="list-style-type: none"> <li>3. Asegúrese de que el conmutador inversor esté completamente a un lado.</li> </ol>
<b>2. EL VENTILADOR HACE RUIDO</b>	<ol style="list-style-type: none"> <li>1. Las aspas no están sujetas al ventilador</li> <li>2. Hay tornillos flojos en la caja del motor.</li> <li>3. Los tornillos que aseguran los soportes de las aspas al buje del motor están flojos.</li> <li>4. Los conectores de cables dentro de la caja hacen ruido.</li> <li>5. Ruido del motor provocado por el control de velocidad de estado sólido variable.</li> <li>6. Los tornillos que sujetan las aspas a los soportes de aspas están flojos.</li> <li>7. El tornillo del soporte de la cubierta inferior está flojo.</li> </ol>	<ol style="list-style-type: none"> <li>1. Ajuste las aspas al ventilador antes de ponerlo en funcionamiento.</li> <li>2. Asegúrese de que todos los tornillos de la caja del motor estén bien ajustados (pero no en exceso).</li> <li>3. Asegúrese de que los tornillos que fijan los soportes de aspas al buje del motor del ventilador estén bien ajustados.</li> <li>4. Asegúrese de que los conectores de cables en la caja del interruptor no produzcan ruido al rozar unos con otros o al rozar la pared interior de la caja del interruptor.</li> </ol> <p><b>PRECAUCIÓN: ¡Asegúrese de que el suministro principal de electricidad esté desconectado!</b></p> <ol style="list-style-type: none"> <li>5. Algunos motores de ventilador son sensibles a las señales de los controles de velocidad de estado sólido variables. Los controles de estado sólido no son recomendables. escoja un método de control alternativo.</li> <li>6. Ajuste bien los tornillos.</li> <li>7. Asegure bien los tornillos de fijación.</li> </ol>
<b>3. EL VENTILADOR OSCILA EN EXCESO</b>	<ol style="list-style-type: none"> <li>1. El tornillo de fijación y la tuerca del soporte de barral están flojos.</li> <li>2. El tornillo de fijación en la unidad del barral/de la semiesfera está flojo.</li> <li>3. Los tornillos que aseguran los soportes de las aspas al buje del motor están flojos.</li> <li>4. Los soportes de aspas no están colocados correctamente.</li> <li>5. El soporte de suspensión o la caja de distribución eléctrica del techo no están bien asegurados.</li> <li>6. Las aspas del ventilador están desbalanceadas.</li> </ol>	<ol style="list-style-type: none"> <li>1. Ajuste bien los dos tornillos de fijación y las tuercas en el soporte de barral.</li> <li>2. Ajuste el tornillo de fijación en la unidad del barral/de la semiesfera.</li> <li>3. Asegúrese de que los tornillos que fijan los soportes de aspas al buje del motor del ventilador estén bien ajustados.</li> <li>4. Asegúrese de que los soportes de las aspas del ventilador estén colocados firmemente y de manera uniforme en relación con la superficie de la caja del motor. Si los soportes están mal colocados, afloje los tornillos y vuelva a ajustarlos.</li> <li>5. Ajuste los tornillos del soporte de suspensión de la caja de distribución eléctrica y asegúrela.</li> <li>6. Al intercambiar la posición de las aspas, puede redistribuir el peso y hacer que el ventilador funcione más suavemente. Por ejemplo, intercambie las aspas en las posiciones 1 y 3, o 1 y 4. Si esto no mejora el nivel de oscilación, intercambie la 2 por la 4, o la 2 por la 5.</li> </ol>
<b>4. NO HAY SUFICIENTE MOVIMIENTO DE AIRE</b>		<ol style="list-style-type: none"> <li>1. Si es posible, considere el uso de un barral más largo. Por ejemplo, use un barral de 30,5 cm (12") en lugar del barral de 15 cm (6") que viene con el ventilador.</li> </ol>



**10983 Bennett Parkway  
Zionsville, IN 46077**

**Llame Sin Cargo al (888) 567-2055  
FAX (866) 482-5215**

**Desde fuera de los EE.UU. llame al (317) 733-4113  
Visite nuestro sitio Web en [www.fanimation.com](http://www.fanimation.com)**