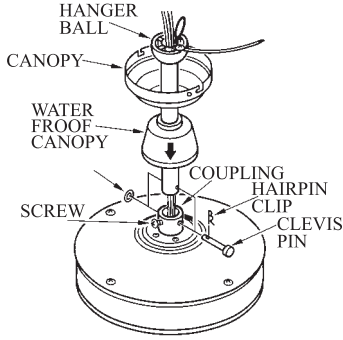
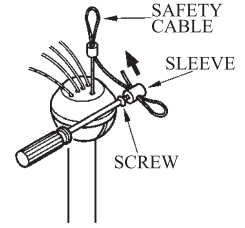
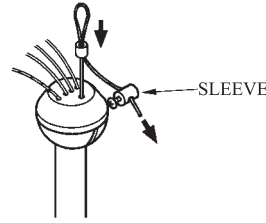
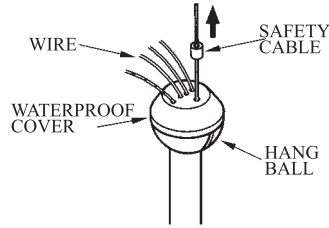


## IMPORTANT INSTRUCTION

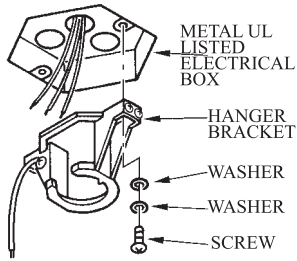
1. Install the downrod, hanger ball and coupling, waterproof canopy.



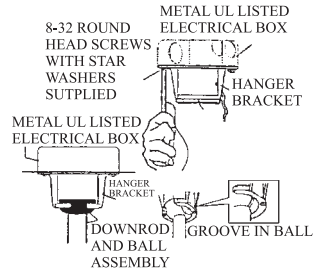
2-1. Install the wire and safety cable.



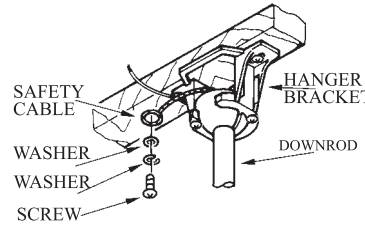
3. Install the hanging bracket.



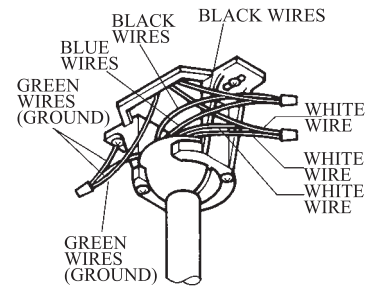
4. Lift the fan on the hanger bracket.



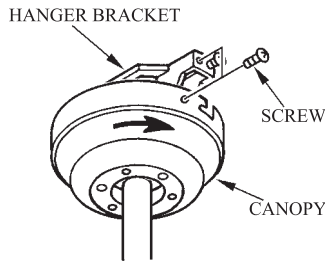
5. Secure the safety cable.



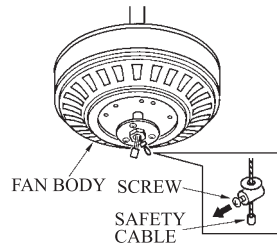
6. Wire connections.



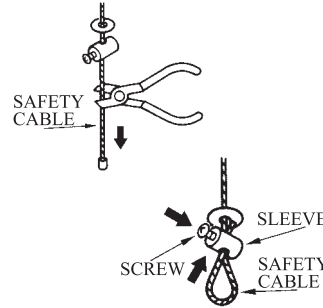
7. Install the canopy.



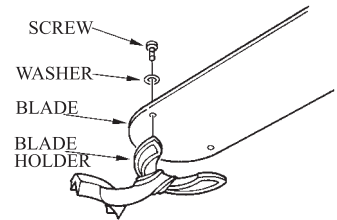
8. Safety cable.



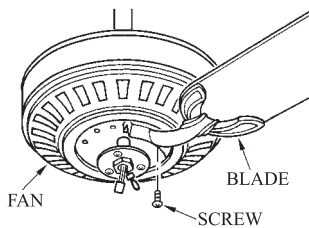
9. Cut the safety cable and re-install the safety cable.



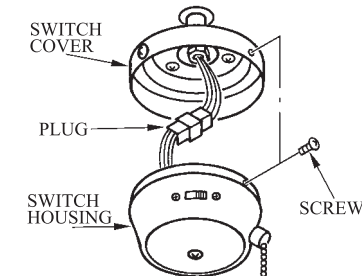
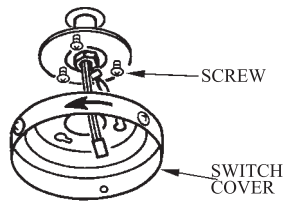
10. Install the blade.



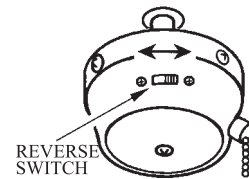
11. Install the blade holder.



12-1. Install the switch housing.

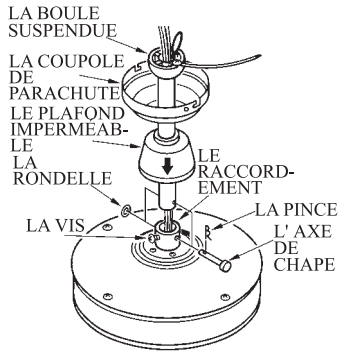


13. Install pull chain.

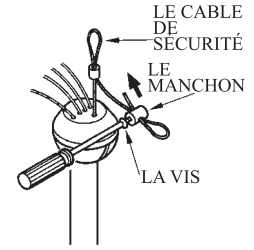
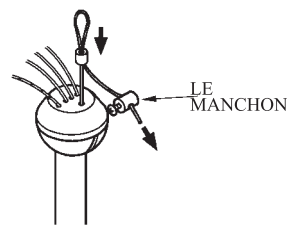
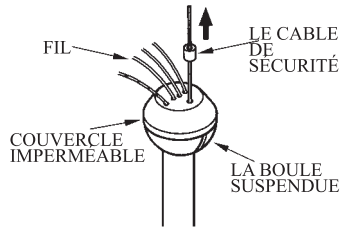


## INSTRUCTION IMPORTANTE

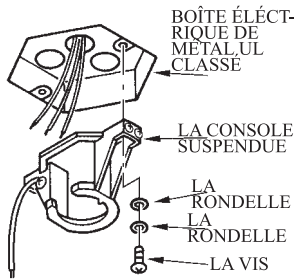
1. Installer la tige en bas, la boule de cintre et la connexion, le plafond imperméable.



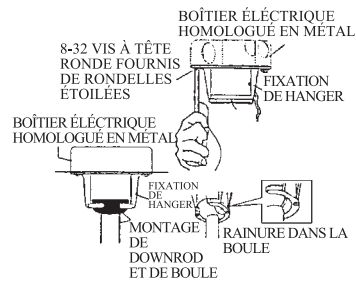
2-1. Installer le fil et le câble de sûreté.



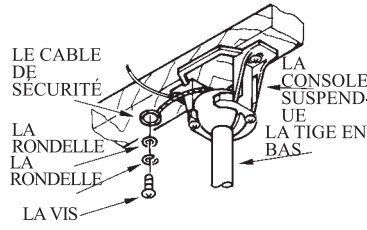
3. Installez la console suspendue.



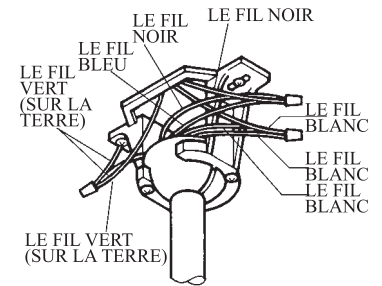
4. Soulevez le ventilateur sur la console suspendue.



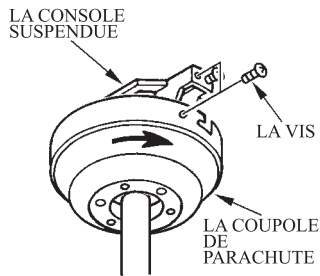
5. Bien attachez le câble de sûreté.



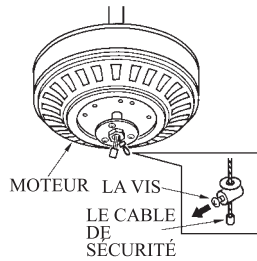
6. Connectez les fils.



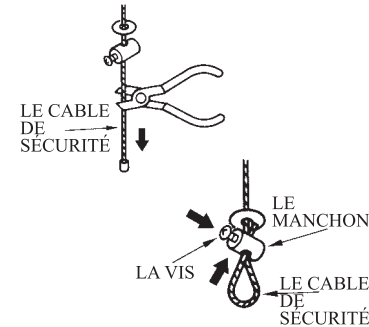
7. Installez la coupole de parachute.



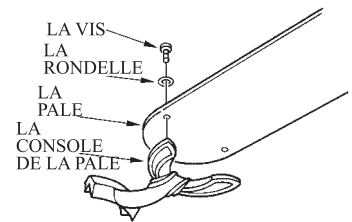
8. Le câble de sûreté.



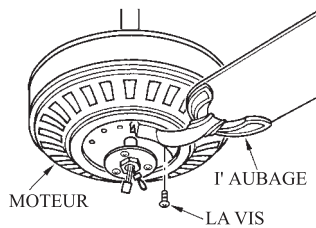
9. Coupez le câble de sûreté et réinstallez-le.



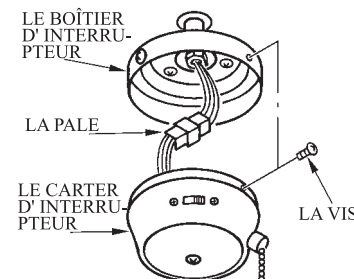
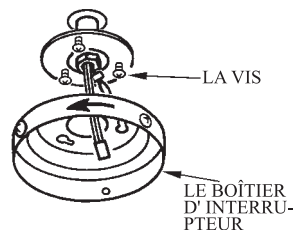
10. Installez la console de pale.



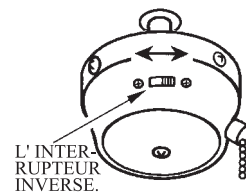
11. Installez l'aubage.



12-1. Installez le carter d'interrupteur.



13. Installez la chaîne-tirette.





# CEILING FAN OWNER'S MANUAL

---

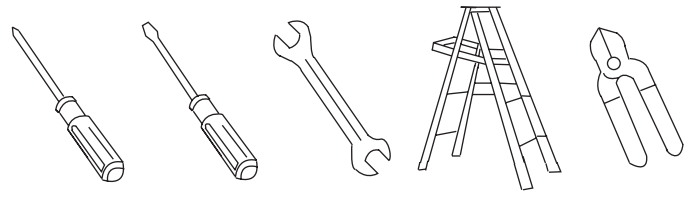
**READ AND SAVE THESE INSTRUCTIONS**

**FAN RATING AC 120V. 60Hz**



# 1. TOOLS AND MATERIALS REQUIRED

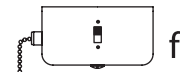
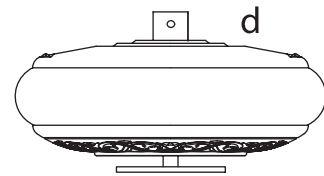
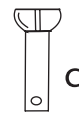
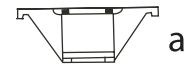
- Philips screw driver
- Blade screw driver
- 11 mm wrench
- Step ladder
- Wire cutters



# 2. PACKAGE CONTENTS

Unpack your fan and check the contents.  
You should have the following items;

- a. Hanger bracket
- b. Canopy
- c. Downrod
- d. Fan motor assembly
- e. Set of blades bracket (5)
- f. Switch housing
- g. Package hardware
  - 1) Mounting hardware :  
screws(2), lock washers(2),  
star washers(2), wire nuts(3)  
wood screws(2), metal washers(2)
  - 2) Blade attachment hardware:  
screws(21), fiber washers(21)
  - 3) Blade arm hardware:  
screws with lock washers (11)
  - 4) Safety cable hardware:  
wood screws, lock washers,  
metal washers
  - 5) Pull chain and fob
  - 6) Balance Kit



### 3. SAFETY RULES

1. To reduce the risk of electric shock, insure electricity has been turned off at the circuit breaker or fuse box before beginning.
2. All wiring must be in accordance with the National Electrical Code and local electrical codes. Electrical installation should be performed by a qualified licensed electrician.
3. **WARNING:** To reduce the risk of electrical shock and fire, do not use this fan with any solid-state fan speed control device.
4. **WARNING:** To reduce the risk of personal injury, use only the two steel screws (and lock washers) provided with the outlet box for mounting to the outlet box. Most outlet boxes commonly used for the support of lighting fixtures are not acceptable for fan support and may need to be replaced, consult a qualified electrician if in doubt.
5. The outlet box and support structure must be securely mounted and capable of reliably supporting a minimum of 50 pounds. Use only CUL Listed outlet boxes marked "**FOR FAN SUPPORT**".
6. The fan must be mounted with a minimum of 7 feet clearance from the trailing edge of the blades to the floor.
7. Do not operate reversing switch while fan blades are in motion. Fan must be turned off and blades stopped before reversing blade direction.
8. Avoid placing objects in the path of the blades.
9. To avoid personal injury or damage to the fan and other items, be cautious when working around or cleaning the fan.
10. Do not use water or detergents when cleaning the fan or fan blades. A dry dust cloth or lightly dampened cloth will be suitable for most cleaning.
11. After marking electrical connections, spliced conductors should be turned upward and pushed carefully up into outlet box. The wires should be spread apart with the grounded conductor and the equipment-grounding conductor on one side of the outlet box.
12. Electrical diagrams are reference only. Light kit that are not packed with the fan must be CUL Listed and marked suitable for use with the model fan you are installing. Switches must be CUL General Use Switches. Refer to the Instructions packaged with the light kits and switches for proper assembly.

**WARNING**  
TO REDUCE THE RISK OF FIRE,  
ELECTRIC SHOCK OR PERSONAL  
INJURY, MOUNT FAN TO OUTLET BOX  
MARKED "**ACCEPTABLE FOR FAN  
SUPPORT**".

**WARNING**  
TO REDUCE THE RISK OF PERSONAL  
INJURY, DO NOT BEND THE BLADE  
BRACKETS (ALSO REFERRED TO AS  
FLANGES) DURING ASSEMBLY OR  
AFTER INSTALLATION. DO NOT  
INSERT OBJECTS IN THE PATH OF THE  
BLADES.

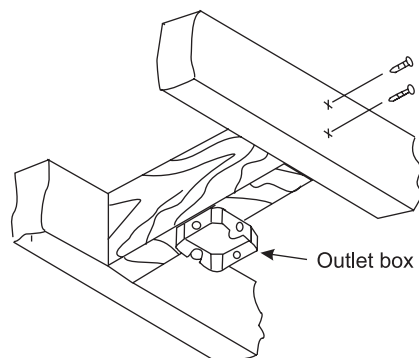
## 4. MOUNTING OPTIONS

If there isn't an existing CUL listed mounting box, then read the following instructions. Disconnect the power by removing fuses or turning off circuit breakers.

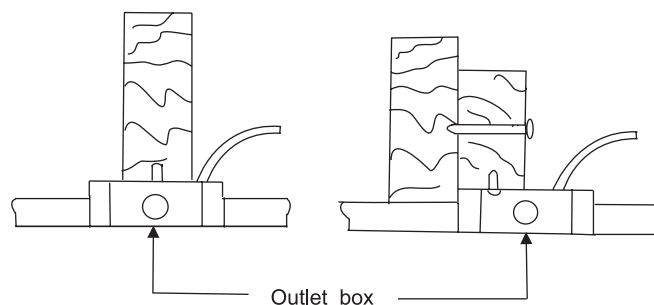
Secure the outlet box directly to the building structure. Use appropriate fasteners and building materials. The outlet box and its support must be able to fully support the moving weight of the fan (at least 50 lbs). Do not use plastic outlet boxes.

Figures 1,2 and 3 are examples of different ways to mount the outlet box.

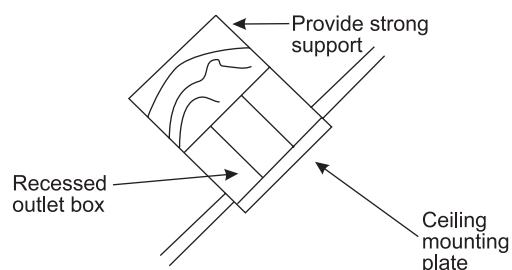
**Note:** You may need a longer downrod to maintain proper blade clearance when installing on a steep, sloped ceiling. (Fig. 3)



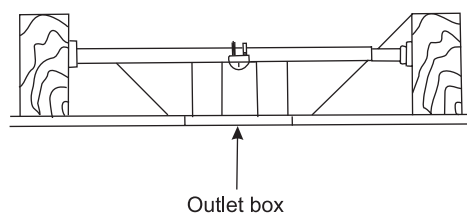
**Figure 1**



**Figure 2**



**Figure 3**



**Figure 4**

## 5. Hanging the Fan

**REMEMBER** to turn off the power. Follow the steps below to hang your fan properly:

**NOTE:** This ceiling fan is supplied with two types of hanging assemblies; the standard ceiling installation using the downrod with ball and socket mounting and the "close-to-ceiling" installation. The "close-to-ceiling" installation is recommended in rooms with less than 8-foot ceilings or in areas where additional space is desired from the floor to the fan blades.

### STANDARD CEILING INSTALLATION

**Step 1.** Pass the 120-volt supply wires through the center hole in the ceiling hanger bracket as shown in Fig. 5.

**Step 2.** Secure the hanger bracket to the ceiling outlet box with the screws and washers provided with your outlet box.

**Step 3.** Remove the hanger pin, lock pin and set screws from the top of the motor assembly.

**Step 4.** Route wires exiting from the top of the fan motor through the canopy and then through the ball / downrod. (Fig. 6)

**Step 5.** Align the holes at the bottom of the downrod with the holes in the collar on top of the motor housing (Fig.7). Carefully insert the hanger pin through the holes in the collar and downrod. Be careful not to jam the pin against the wiring inside the downrod. Insert the locking pin through the hole near the end of the hanger pin until it snaps into its locked position, as noted in the circle inset of Fig. 6.

**Step 6.** Tighten two set screws on top of the fan motor firmly. (Fig. 6)

**Step 7.** Place the downrod ball into the hanger bracket socket. (Fig. 7)

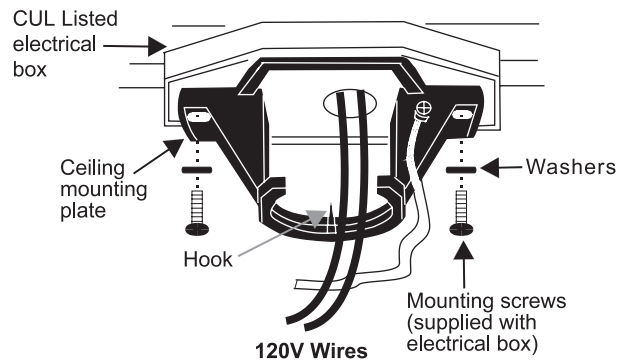


Figure 5

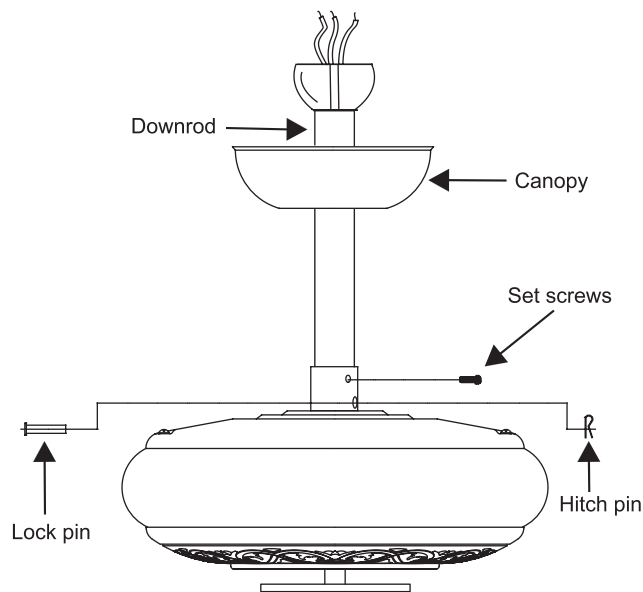


Figure 6

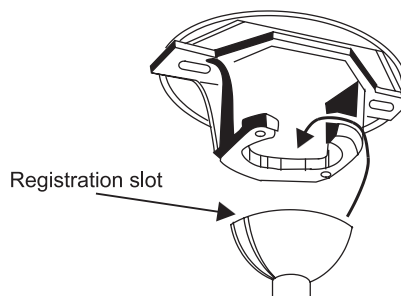


Figure 7

## CLOSE-TO-CEILING INSTALLATION

1. Remove the decorative canopy bottom cover from the canopy by depressing the three studs (Fig. 8-1)

2. Pass the 120-volt supply wires through the center hole in the ceiling hanger bracket as shown in Fig. 5.

3. Loosen the two screws on the outlet box halfway.

4. Attach the hanger bracket on the outlet box by sliding the hanger bracket over the screws provided with the outlet box.

5. Tighten the two screws on the outlet box securely.

6. Remove three of the six screws and lock washers (every other one) from the collar of top motor (Figure. 8-2)

7. Place the ceiling canopy over the collar at the top of the motor. Align the mounting holes with the holes in the motor and fasten using the screws and lock washers provided (Fig. 8-2).

8. Tighten the mounting screws securely. (Fig. 8-2)

**WARNING:** Failure to completely tighten the three screws in step 7 could result in fan loosening and possibly falling.

9. Hang the fan on the hook of the hanger bracket. Be certain that the canopy is fully locked into hook as shown in Fig. 9. This will allow you to make the electrical connections.

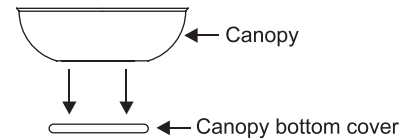


Figure 8-1

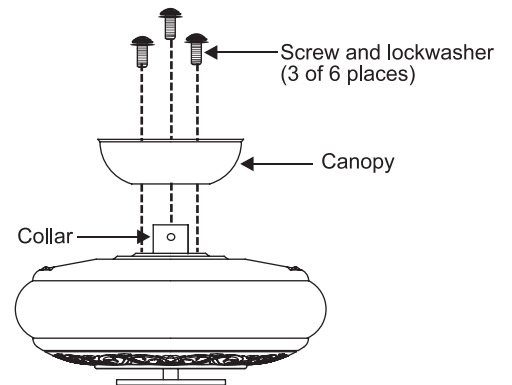


Figure 8-2

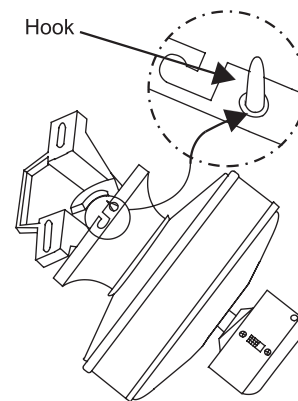


Figure 9



## 6. INSTALLATION OF SAFETY SUPPORT

An additional safety support is provided to prevent the fan from falling. Secure the safety cable to the ceiling joist with screw and washer, as illustrated in Figure 10.

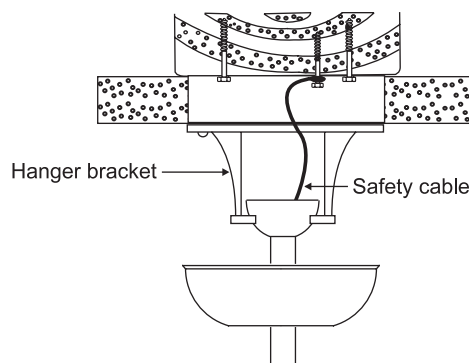


Figure 10

## 7. MAKE THE ELECTRIC CONNECTIONS

**Remember** to disconnect the power. Follow the steps below to connect the fan to your household wiring. Use the wire connecting nuts supplied with your fan. Secure the connectors with electrical tape. Make sure there are no loose strands or connections.

**Step 1** Connect the fan supply (black) wire and light supply (blue) wire to the black household supply wire as shown in Figure 11.

**Step 2.** Connect the netura fan (white) wire to the white netura household wire.

**Step 3** Connect the fan ground wire (green) to the household ground wire.

**Step 4** After connecting the wires, spread them apart so that the green and white wires are on one side of the outlet box and the black and the blue wires are on the other side.

**Step 5** Turn the connecting nuts upward and push the wiring into the outlet box.

Figures 12 and 13 illustrate the wiring connections for optional wall control (The wire color out of wall control may vary, see wall control's installation manual for correct wire connections.)

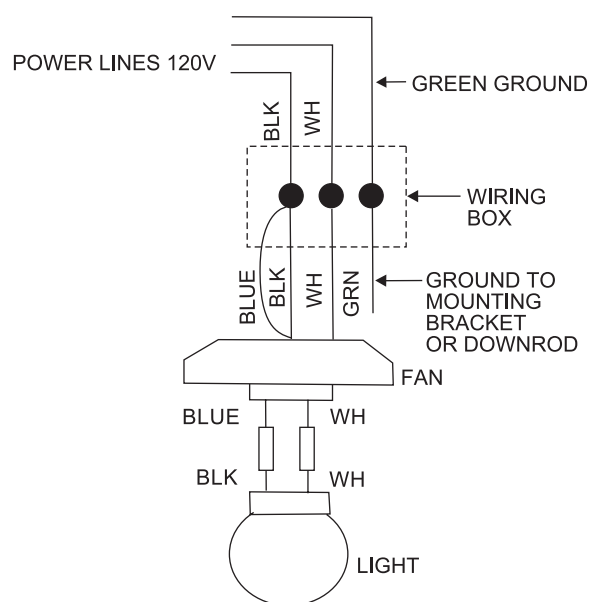


Figure 11

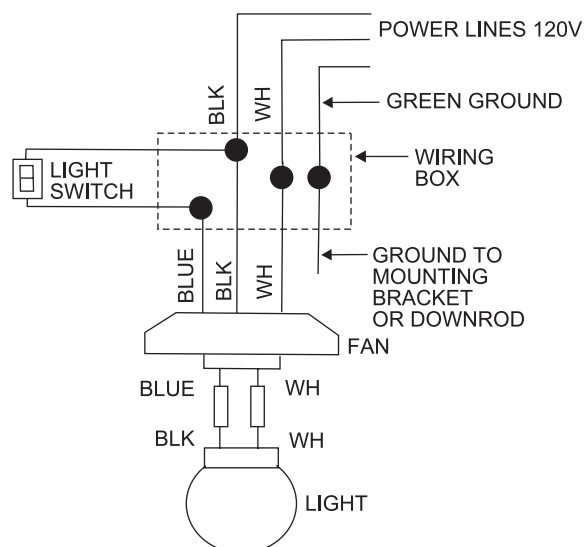
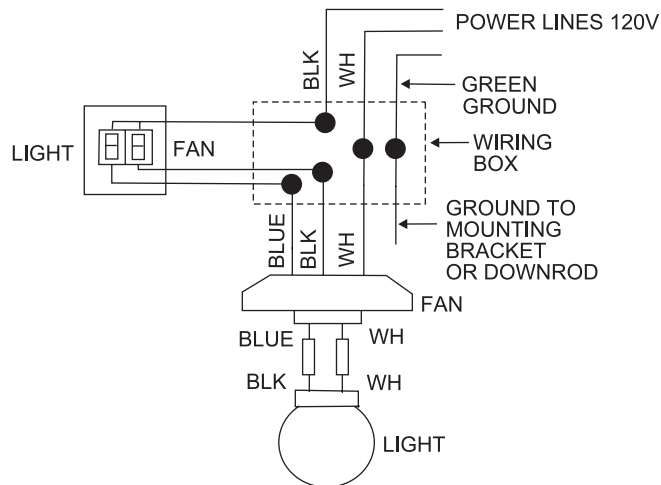


Figure 12

**NOTE:** LIGHT KITS ARE AVAILABLE AT YOU SAVOY HOUSE RETAILER. THE FAN IS ALREADY WIRED TO SUPPORT THE LIGHT KIT OPTION.

**WARNING:** TO REDUCE THE RISK OF FIRE, ELECTRIC SHOCK, OR OTHER PERSONAL INJURY. MOUNT FAN ONLY ON AN OUTLET BOX OR SUPPORTING SYSTEM MARKED **ACCEPTABLE FOR FAN SUPPORT.**



**Figure 13**

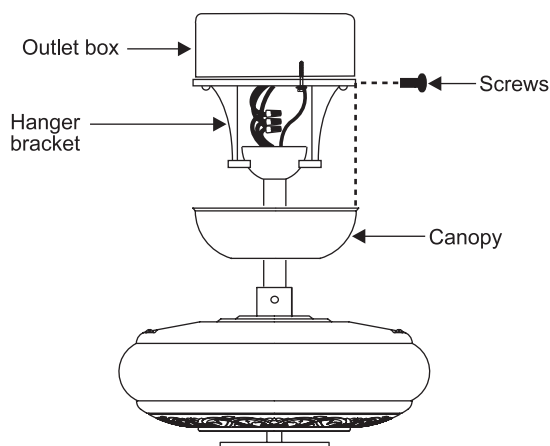
## 8. FINISHING THE INSTALLATION

### STANDARD CEILING INSTALLATION

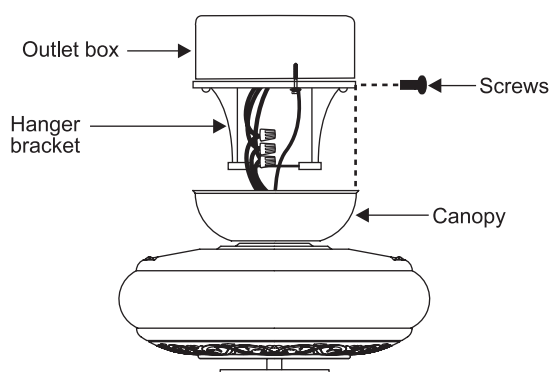
Slide canopy up to the ceiling as shown in Figure 14. Make sure you place the wires safely into the outlet box. Secure the canopy to the hanger bracket with the four screws with your fan.

### CLOSE-TO-CEILING INSTALLATION

Remove the fan from the hook on the hanger bracket. Secure the canopy to the hanger bracket as shown in Figure 15 with four screws included with your fan.



**Figure 14**



**Figure 15**

## 9. ATTACHING THE FAN BLADES

**Step 1** Attach the blade to the blade bracket using the screws and fiber washers as shown in Figure 16. Start screw into bracket. Repeat for the two remaining screws.

**Step 2** Tighten each screw. Make sure the blade is straight.

**Step 3** Fasten blade assembly to motor using the screws supplied. (Fig. 16)

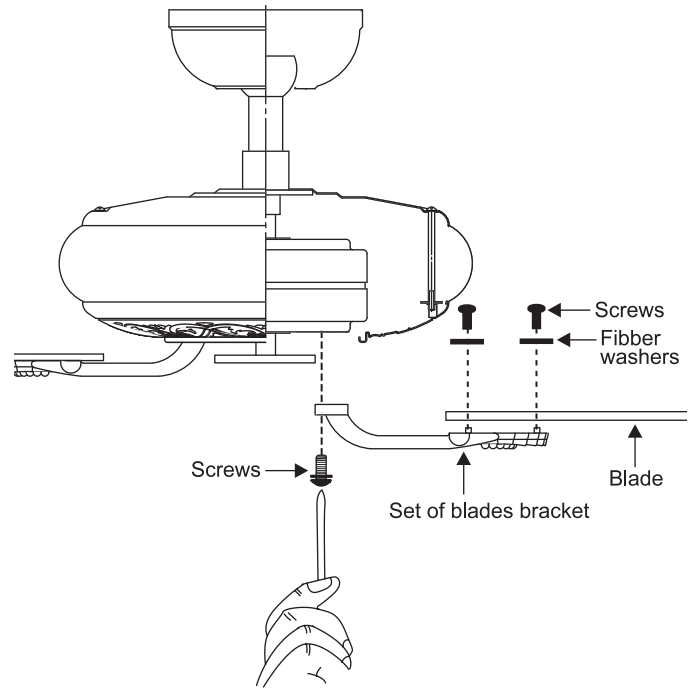


Figure 16

## 10. INSTALLING THE SWITCH HOUSING

**NOTE:** Before starting installation, disconnect the power by turning off the circuit breaker or removing the fuse at fuse box. Turning power off using the fan switch is not sufficient to prevent electric shock.

1. Remove the screws from the mounting plate under the fan motor.
2. While holding the switch housing under your fan, snap together the wire connection plug. (Figure 17)
3. Raise the switch housing to the mounting plate until the holes in switch housing and mounting plate line up. Reinsert screws to secure in place. (Figure 17)

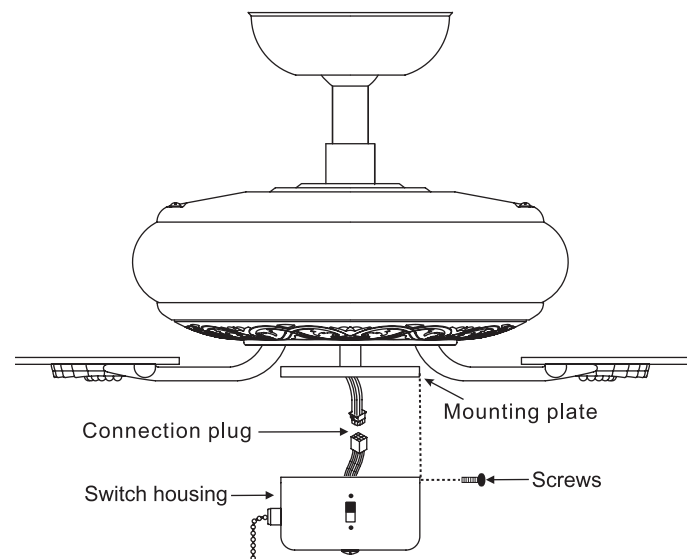


Figure 17

## 11. OPERATING YOUR FAN

**NOTE:** Wait for fan to stop before changing the setting of the slide switch.

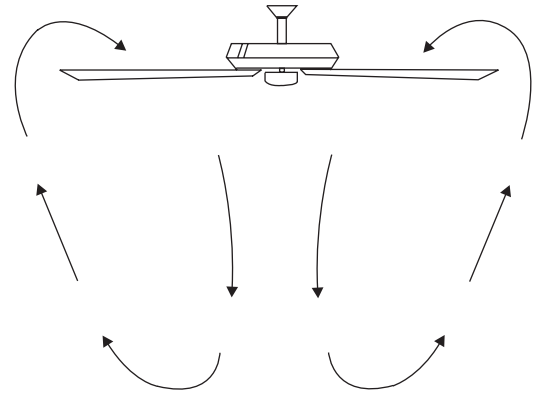
Turn on the power and check the operation of your fan. The pull chain controls the fan speed as follows: 1 pull- High, 2 pulls-Medium, 3 pulls-Low, and 4 pulls-Off.

Speed settings for warm or cool weather depend on factors such as the room size, ceiling height, number of fans and so on.

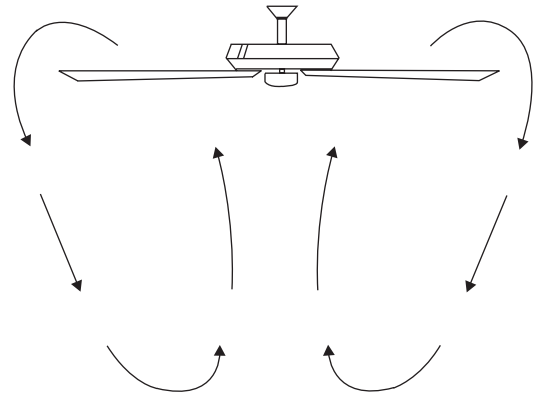
The slide switch controls directions: forward (switch down) or reverse (switch up)

Warm weather - (Forward) A downward airflow creates a cooling effect as shown in Fig. 18. This allows you to set your air conditioner on a warmer setting without affecting your comfort.

Cool weather - (Reverse) An upward airflow moves warm air off the ceiling area as shown in Fig. 19. This allows you to set your heating unit on a cooler setting without affecting your comfort.



**Figure 18**



**Figure 19**

## 12. TROUBLESHOOTING

### Problem

### Solution

- Fan will not start.
1. Check circuit fuses or breakers.
  2. Check line wire connections to the fan and switch wire connections in the switch housing.  
**CAUTION:** Make sure main power is off.
- Fan sounds noisy.
1. Make sure all motor housing screws are snug.
  2. Make sure the screws that attach the fan blade bracket to the motor hub is tight.
  3. Make sure wire nut connections are not rubbing against each other or the interior wall of the switch housing.  
**CAUTION:** Make sure main power is off.
  4. Allow a 24-hour "breaking-in" period. Most noise associated with a new fan disappear during this time.
  5. If using an optional light kit, make sure the screws securing the glassware are tight. Check that light bulb is also secure.
  6. Some fan motors are sensitive to signals from solid-state variable speed controls.  
If you have installed this type of control, choose and install another type of control.
  7. Make sure the upper canopy is a short distance from the ceiling. It should not touch the ceiling.



Money Isn't All You're Saving

## PERFORMANCE AND ENERGY INFORMATION

FAN SPEED	AIRFLOW (CFM)*	FAN POWER CONSUMPTION (watts)	AIRFLOW EFFICIENCY (CFM/watt)
High	5865	68.8	85
Medium	3801	28.1	135
Low	2135	9.8	218

Ceiling fan airflow is measured in cubic feet per minute (CFM).

Power use is measured in watts. To maximize energy savings:

- Choose a fan with high airflow efficiency (CFM/watt).
- Use ENERGY STAR<sup>®</sup>-labeled lighting in your fan.
- Remember to switch off your fan when you leave the room.

\*Measured according to the ENERGY STAR<sup>®</sup> approved Solid State test method





# VENTILADOR DE TECHO MANUAL DEL PROPIETARIO

---

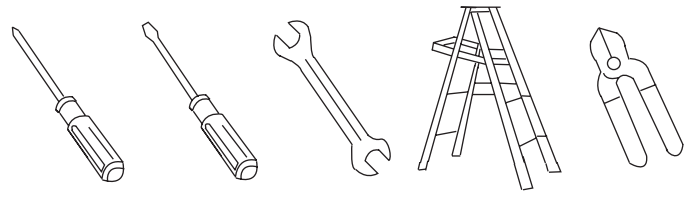
**FAVOR - LEA Y GUARDE INSTRUCCIONES**

**FRECUENCIA Y CONSUMO DE VENTILADOR: CA 120V~60Hz**



# 1.HERRAMIENTA NECESARIAS

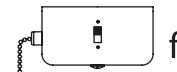
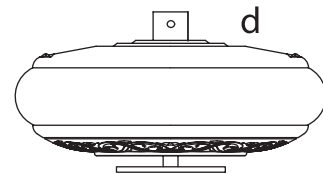
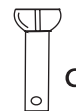
- Destornillador Phillips
- Destornillador normal
- Llave de tuercas ajustable
- Escalera de tijera
- Cortadoras de alambre.



# 2.CONTENIDO DEL PAQUETE

Desembalar el ventilador y revisar el contenido. Debe tener los siguientes elementos:

- Soporte de suspensión
- Caja de techo
- Tubo
- Conjunto de motor del ventilador
- Juego de soporte de fijación a aspas (5)
- Cubierta de interruptores
- Dos bolsas de piezas pequeñas:
  - Piezas demontaje:  
Conectores plásticos para cables(3),  
Tornillos(2),Arandelas(2),  
Arandelas de seguridad(2),  
Tornillos para madera(2),  
Arandela de metal(2)
  - Piezas de fijación de las aspas:  
Tornillos(21), arandelasde fibra(21)
  - Tirador para ventilador
  - Partes para la instalacion de las abrazaderas:  
Tornillos con arandelas(11)
  - Partes de cable de seguridad:  
Tornillos para madera,  
Arandelas de seguridad,  
Arandela de metal
  - Juego de balanceo





### 3. Normas de seguridad

1. Para reducir el riesgo de electrocución, asegurarse de que la electricidad se ha desactivado en el cortacircuitos o caja de fusibles antes de comenzar.
2. Todo cableado debe realizarse conforme al Código Eléctrico Nacional y los códigos eléctricos locales. La instalación eléctrica debe ser realizada por un electricista registrado calificado.
3. **ADVERTENCIA:** Para reducir el riesgo de una electrocución e incendio, no usar este ventilador con ningún dispositivo de control de la velocidad del ventilador.
4. **ADVERTENCIA:** Para reducir el riesgo de daños personales, utilice sólo los dos tornillos de acero (y arandelas de bloqueo) suministrados en la caja del enchufe para el montaje en ésta. La mayoría de cajas de enchufes usadas comúnmente para instalaciones de luz no sirven para soportar un ventilador y puede que necesite cambiarlas; si tiene dudas, consulte con un electricista calificado.
5. La caja de distribución y la estructura de soporte deben estar montados de manera segura y deben ser capaces de soportar, de manera confiable, un mínimo de 50 libras (22.9 kilogramos). Usar solamente cajas de distribución listadas por C.U.L. marcadas **"PARA SOPORTE DE VENTILADORES"**.
6. EL ventilador debe estar montado con un mínimo de 7 pies (213cm) de espacio libre desde el borde posterior de las aspas hasta el piso.
7. No operar el conmutador inversor mientras las aspas del ventilador están en movimiento. El ventilador debe estar desactivado y las aspas estáticas antes de invertir la dirección de las aspas.
8. Evitar colocar objetos que interfiera el giro de las aspas.
9. Para evitar lesiones personales o daños al ventilador y otros artículos, tener cuidado al trabajar cerca del ventilador o al limpiarlo.
10. No usar agua o detergentes al limpiar el ventilador o las aspas del ventilador. Para la mayoría de los propósitos de limpieza, un paño seco o ligeramente humedecido será apropiado.
11. Después de realizar las conexiones eléctricas, los conductores empalmados se deben voltear hacia arriba y se deben empujar con cuidado hacia dentro de la caja de distribución. Los cables deben estar separados, con el conductor a tierra y el conductor a tierra del equipo en un lado de la caja de distribución.
12. Los diagramas eléctricos son para referencia únicamente. Los juegos de iluminación que no estén embalados con el ventilador deben estar listados por C.U.L. y marcados como apropiados para ser usados con el modelo de ventilador que se está instalando. Los interruptores deberán ser interruptores para uso general C.U.L. Réferase a las instrucciones embaladas con los juegos de iluminación e interruptores para obtener información sobre el montaje adecuado.

#### **ADVERTENCIA**

PARA REDUCIR EL RIESGO DE INCENDIO ELECTROCUCIÓN O LESIONES PERSONALES. MONTAR EL VENTILADOR EN UNA CAJA DE DISTRIBUCIÓN MARCADA COMO ACEPTABLE **"PARA SOPORTE DE VENTILADORES"**.

#### **ADVERTENCIA**

PARA REDUCIR EL RIESGO DE LESIONES PERSONALES, NO DOBLAR LOS SOPORTES DE LAS ASPAS (TAMBIÉN LLAMADOS "REBORDES" DURANTE EL MONTAJE O DESPUÉS DE LA INSTALACIÓN NO INSERTAR OBJETOS EN LA TRAYECTORIA DE LAS ASPAS.

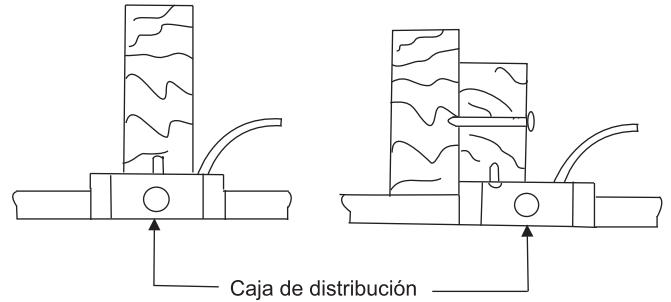
## 4.OPCIONES DE INSTALACIÓN

Si no hay una caja con CUL registración de montaje existente, sirvase leer las siguientes instrucciones. Desconectar el suministro de electricidad removiendo los fusibles o desactivando los cortacircuitos.

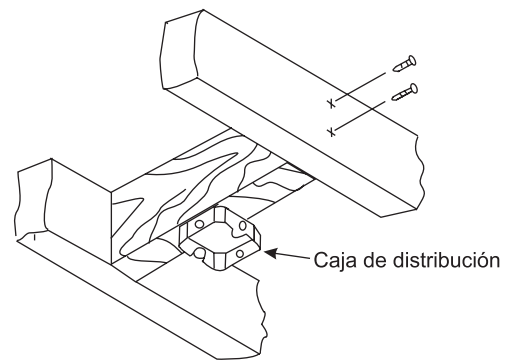
Asegurar la caja de distribución directamente a la estructura del edificio. Usar los sujetadores y materiales de construcción apropiados. La caja de distribución y su soporte deben ser capaces de soportar completamente el peso en movimiento del ventilador (al menos 50 libras o 22.9 kgs.) No usar cajas de distribución plásticas.

Las figuras 1,2 y 3 son ejemplos de diferentes maneras de montar la caja de distribución.

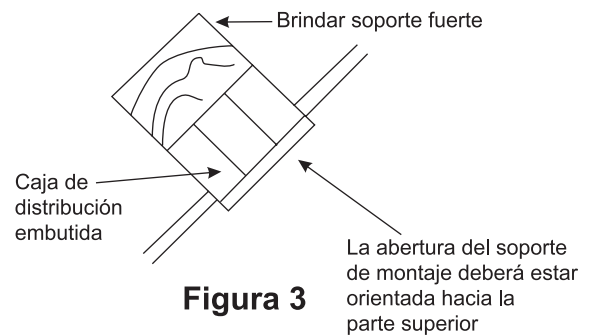
**NOTA:** Es posible que necesite una barra descendente más larga para mantener el espacio libre apropiado para las aspas al efectuar la instalación en un techo inclinado.(Fig.3)



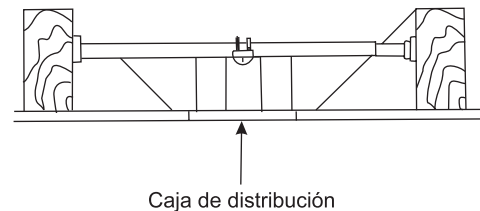
**Figura 1**



**Figura 2**



**Figura 3**



**Figura 4**

## 5.Colocación del ventilador

**RECUERDE** desconectar la alimentación. Siga estos pasos para colocar correctamente el ventilador:

**NOTA:** Este ventilador de techo se suministra con dos tipos de conjuntos de suspensión: el montaje estándar de techo que utiliza el tubo de suspensión con montaje de bola y receptáculo, y el montaje "próximo al techo". El montaje "próximo al techo" se recomienda en habitaciones con techos de menos de 8 pies (243 cm) de altura, o en áreas donde se desea espacio adicional desde el piso hasta las aspas del ventilador.

### MONATAJE ESTÁNDAR DE TECHO

**Paso 1.** Pase los hilos de 120 voltios a través del agujero central del soporte de suspensión del techo tal y como se muestra en la.(Fig.5)

**Paso 2.** Fije el soporte de suspensión a la caja del techo con los tornillos y arandelas suministradas en la caja.

**Paso 3.** Retire el pasador de suspensión, el pasador de bloqueo y el conjunto de tornillos y de la parte superior del ensamblaje del motor.

**Paso 4.** Guíe los cables que salen de la parte superior del motor del ventilador a través de la cubierta y luego a través de la bola/varilla. (Fig.6)

**Paso 5.** Alinee los agujeros de la parte inferior de la barra con los agujeros del cuello en la parte superior de la caja del motor (Fig. 6) Introduzca con cuidado el pasador de suspensión a través de los agujeros del cuello y de la barra. Tenga cuidado de que el pasador no se atasque con los hilos de dentro de la barra. Introduzca el pasador de bloqueo a través del agujero cercano al extremo del pasador de suspensión hasta que quede en la posición de bloqueo, tal y como se especifica en el círculo de la Fig.6.

**Paso 6.** Apriete bien los dos tornillos de la parte superior del motor.(Fig.6)

**Paso 7.** Coloque la bola de la barra en la ranura del soporte de suspensión.(Fig.7)

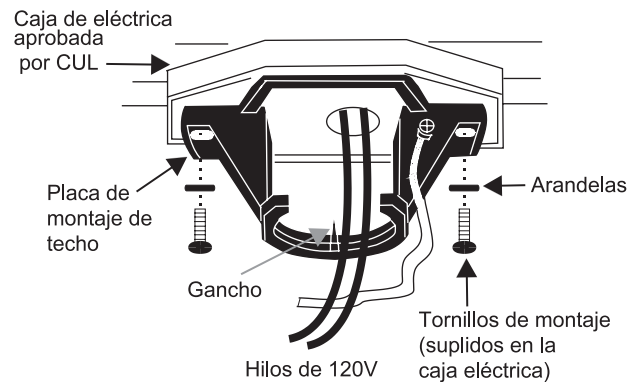


Figura 5

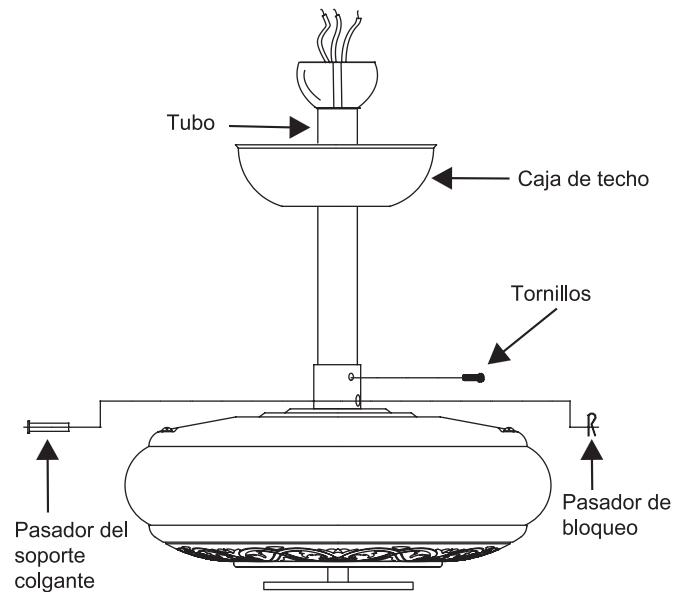


Figura 6

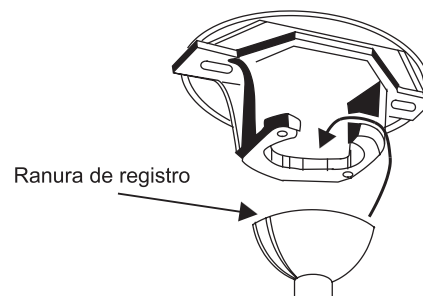


Figura 7

## MONTAJE PRÓXIMO AL TECHO

1. Remueve la tapa del fondo del dosel decorativo desde el dosel oprimiendo los 3 clavos(Figura 8-1)

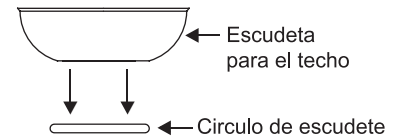


Figura 8-1

2. Pasa los cables de fuente de poder de 120 volt por el hoyo central en repisa cólgante del techo, cómo se ve Fig 5.

3. Afloja los dos tornillos en la caja de tomacorrientes hasta la mitad.

4. Se pega la reísá colgante en la caja de tomacorrientes deslizando l arepisa cólgante por sobre los tornillos provistos con la caja de tomacorrientes.

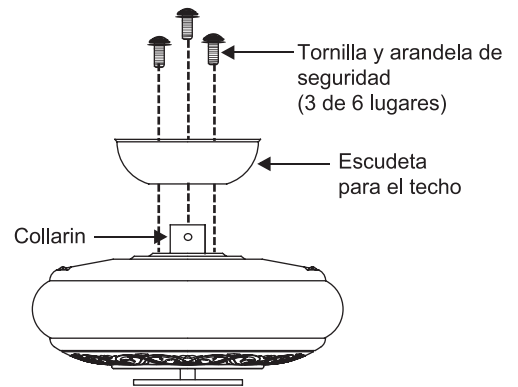


Figura 8-2

5. Apreta los dos tornillos en la caja de tomacorrientes firmemente.

6. Remover tres de los seis tornillos y arandelas de seguridad (uno por medio) asegurando de la cubierta del motor. (Figura 8-2)

7. Colocando el dosel del ventilador sobre el collar encima del motor. Alinee los hoyos de montaje con los del motor para luego apretarlos usando tres tornillos y asegurar las arandelas provistas.(Figura 8-2)

8. Apretar los tornillos de montaje de manera segura.(Figura 8-2)

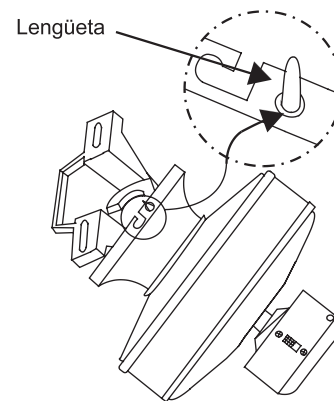


Figura 9

### ADVERTENCIA:

EL NO APRETARCOMPLETAMENTE LOS TRES TORNILLOS EN EL PASO NO 7 PODRIARESLTAR EN UN AFLOJAMIENTO Y POSIBLE CAIDA DEL VENTILADOR.

9. Suspende el ventilador en la lengüeta del soporte de suspensión. Asegúrese de que el escudete está completamente asegurado dentro de la lengüeta cómo se muestra en la figura 9 esto le permitirá hacer las conexiones eléctricas.

## 6. INSTALACION DEL SOPORTE DE SEGURIDAD

Se incluye un soporte de seguridad adicional para evitar que el ventilador se caiga. Fije el cable de seguridad en la vigueta del techo con el tornillo de madera y la arandela como aparece en la Fig. 10.

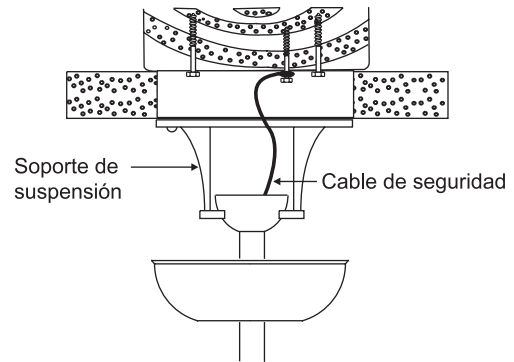


Figura 10

## 7. LAS CONEXIONES ELECTRICAS

**RECORDAR** desconectar la fuente de electricidad.

Seguir los pasos a continuación para conectar el ventilador al cableado residencial. Usar las tuercas para conexión de cables provistas con el ventilador. Asegurar los conectores con cinta aislante. Asegurarse de que no hayan cordones o conexiones sueltas.

**Paso 1** Conectar el cable de alimentación (negro) de ventilador y el cable de alimentación (azul) de alimentación I al cable negro de alimentación residencial cómo se muestra en la Figura 11.

**Paso 2** Conectar el cable neutro (blanco) del ventilador al cable blanco neutro residencial.

**Paso 3** Conectar el cable de polo a tierra (verde) del ventilador al cable residencial de polo a tierra.

**Paso 4** Después de conectar los cables, separarlos de modo que los cables verde y blanco estén en un lado de la caja de distribución y los cables negro y azul estén en el otro lado.

**Paso 5** Voltar las tuercas de conexión hacia arriba y empujar el cableado hacia dentro de la caja de distribución.

Las figuras 12 y 13 muestran las conexiones de cables para el control en la pared opcional (El color del cable que sale de la pared puede variar, lea el manual de instalación del control en la pared para una conexión de cables correcta).

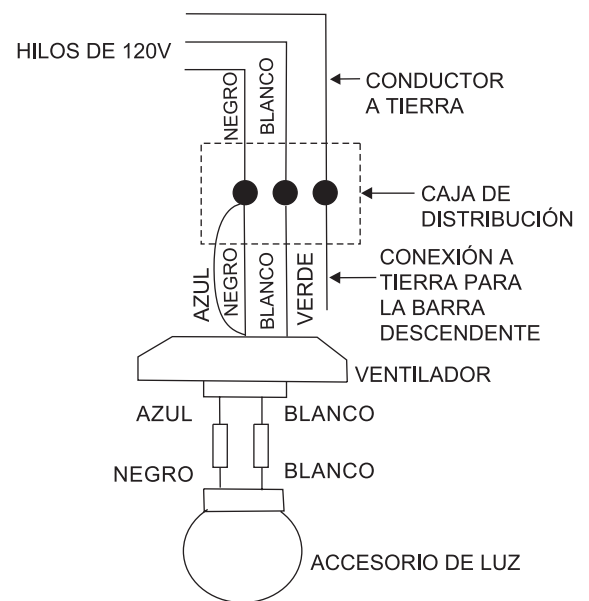


Figura 11

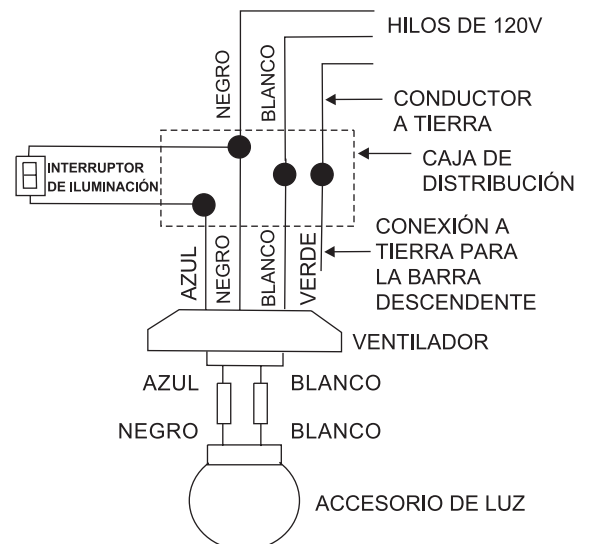
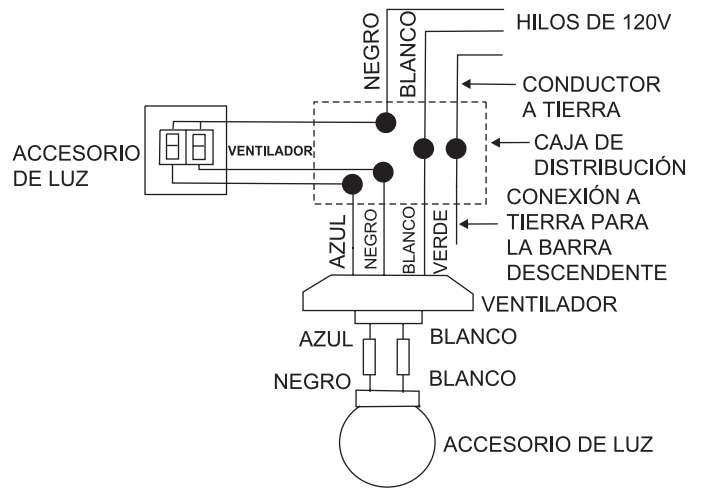


Figura 12

**NOTA:** LOS JUEGOS DE ILUMINACIÓN SE ENCUENTRAN DISPONIBLES A TRAVÉS DE SU DISTRIBUIDOR DE SAVOY HOUSE. EL VENTILADOR YA ESTÁ CABLEADO PARA SOPORTAR LA OPCIÓN DEL JUEGO DE ILUMINACIÓN

**ADVERTENCIA:** PARA REDUCIR EL RIESGO DE INCENDIO, ELECTROCUCIÓN U OTRA LESION PERSONAL, MONTAR EL VENTILADOR SOLAMENTE EN UNA CAJA DE DISTRIBUCIÓN O SISTEMA DE SOPORTE MARCADO CÓMO ACEPTABLE PARA SOPORTE DE VENTILADORES.



**Figura 13**

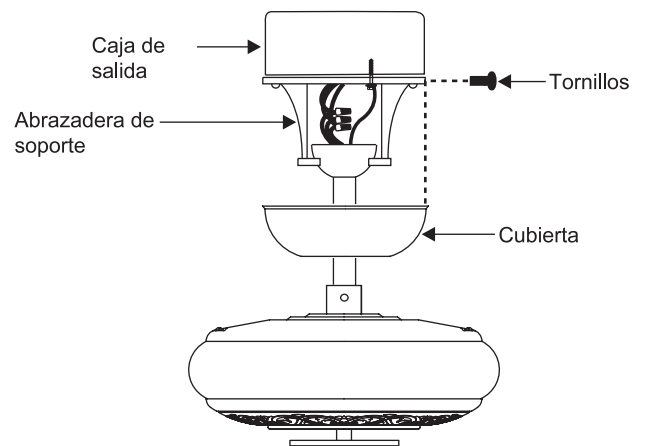
## 8. TERMINANDO LA INSTALACIÓN

### MONTAJE ESTÁNDAR DE TECHO

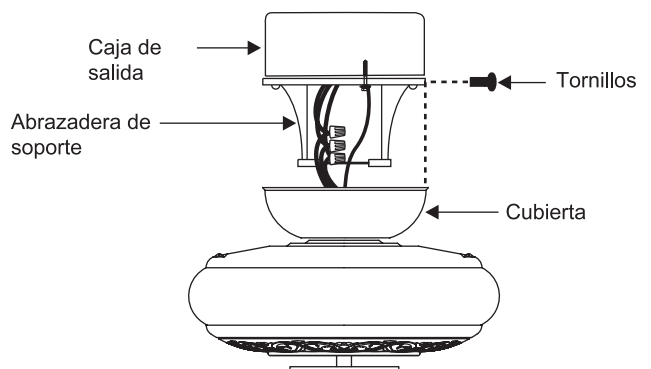
Deslizar el escudete hasta el techo cómo se muestra en la Figura 14. Asegúrase de colocar los cables de manera segura dentro de la caja de distribución. Asegurar el escudete al soporte de suspensión con los cuatro tornillos que están incluidos en el ventilador.

### MONTAJE PRÓXIMO AL TECHO

Retirar el ventilador de la lengua que se encuentra en el soporte del suspensión. Asegurar el escudete al soporte cómo se muestra en la Figura 15. Con los cuatro tornillos incluidos en el ventilador.



**Figura 14**



**Figura 15**

## 9. JUNTAR LAS PALAS DEL VENTILADOR

**Paso 1.** Se pegan las palas a los soportes usando los tornillos y las arandelas de fibra provistos como indicado en Fig 16. Inserta un tornillo en el soporte sin apretarlo. Repite el paso por los otros 3 tornillos y arandelas.

**Paso 2.** Apreta todos los tornillos firmemente empezando con el tornillo cortador. Asegúrate de que la pala esté recta.

**Paso 3.** Apreta el juego de pala en el motor usando los tornillos proporcionados, los tornillos vienen ya en la caja del motor, favor aflojar los tornillos de la caja del motor antes de proceder con Fig.16.

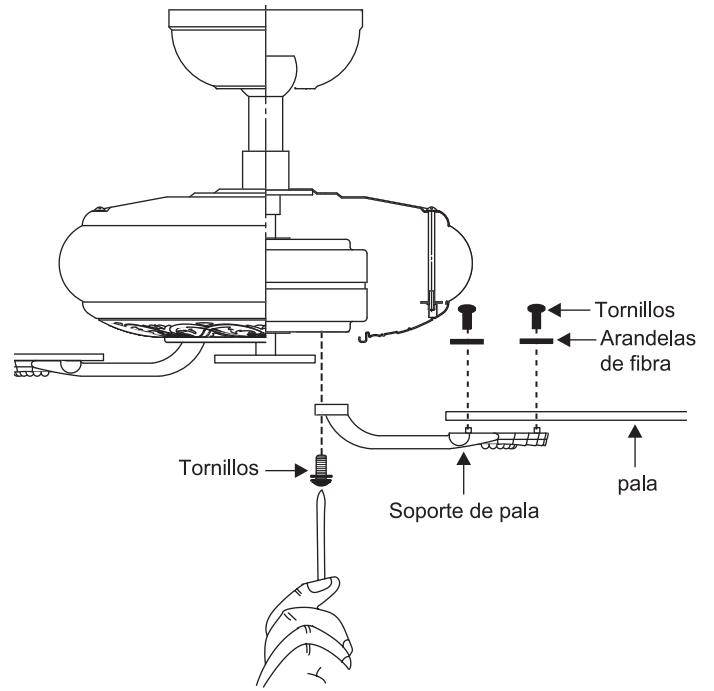


Figura 16

## 10. INSTALACIÓN DEL CUBIERTA DE INTERRUPTORES

**NOTA:** Antes de comenzar la instalación, desconecte la alimentación apagando el interruptor principal del automático o quitando el fusible de su caja. Si sólo apaga el interruptor del ventilador no será suficiente para evitar descargas eléctricas.

**Paso 1.** Saque los tornillos del placa de montaje en la parte de abajo del motor del ventilador.

**Paso 2.** Mientras sostiene la cubierta de interruptores bajo el ventilador, monte el enchufe de conexión de los alambres.

**Paso 3.** Levante el estructura de la lámpara, a la altura del placa de montaje, hasta que los agujeros de la cubierta de interruptores y del anillo queden alineados. Vuelva a colocar los tornillos para asegurar todo en su lugar. (Fig. 17)

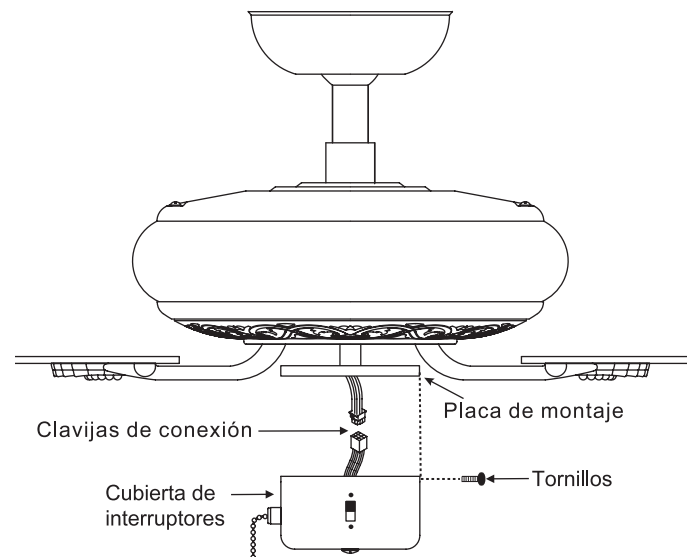


Figura 17

# 11. CÓMO OPERAR EL VENTILADOR

**NOTA:** ESPERE A QUE EL VENTILADOR PARE ANTES DE CAMBIAR LA POSICIÓN DEL INTERRUPTOR DESLIZANTE.

Conecte la alimentación y compruebe el funcionamiento del ventilador. Hay tres cordones en el ventilador:

Cordón para 3 velocidades- controla la velocidad del ventilador como sigue: 1 tirone- Alta, 2 tirones- Media, 3 tirones- Baja y 4 tirones- Apagado.

La configuración de la velocidad para temperatura fría o templada depende de factores como el tama o de la habitación, altura del techo,número de ventiladores, etc.

El interruptor deslizante controla las direcciones: adelante (interruptor abajo) o atrás (interruptor arriba).

Temperatura templada – (Adelante) el flujo del aire hacia abajo crea un efecto enfriador como se muestra en la figura 18. Esto le permite colocar su aire acondicionado en un lugar más alto sin que afecte a su confort.

Temperatura fría – (Reversa) el flujo del aire hacia arriba quita el aire caliente del techo como aparece en la figura 19. Esto le permite colocar el radiador en un lugar más bajo sin que afecte a su confort.

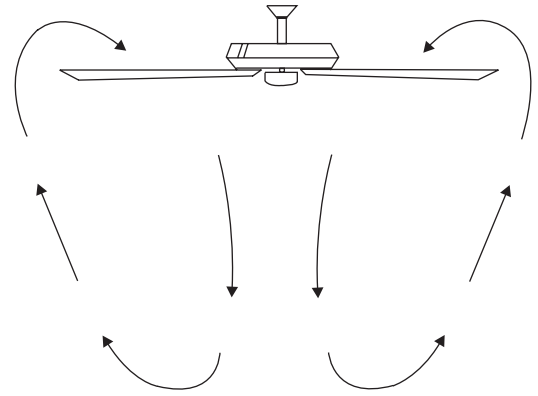


Figura 18

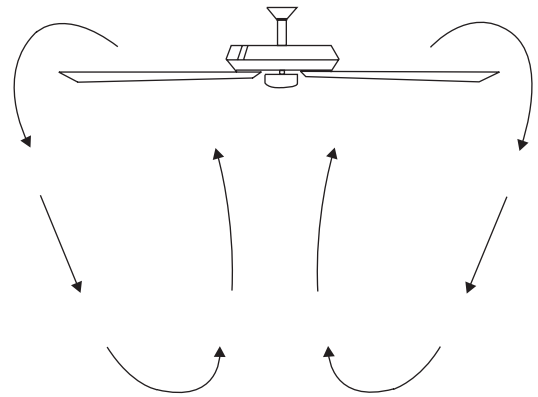


Figura 19



# 12.RESOLUCIÓN DE PROBLEMAS

## Problema

## Solución

El ventilador no arranca.

1. Revisar los fusibles o interruptores de circuitos.
2. Verificar las conexiones de cables de línea al ventilador y conexiones de cable del interruptor. **PRECAUCIÓN** : Asegurarse de que la fuente principal de electricidad esté desactivada.

El ventilador hace mucho ruido.

1. Asegurarse de que todos los tornillos de la cubierta del motor estén ajustados.
2. Asegurarse de que los tornillos que sujetan el soporte de aspas del ventilador al eje del motor estén apretados.
3. Asegurarse de que las conexiones de tuercas para cable no esten rozando unas contra otras o contra la pared interior de la cubierta protectora del interruptor. **PRECAUCIÓN**: Asegurarse de que la fuente principal de electricidad esté desactivada.
4. permitir un período de "desgaste" de 24 horas. La mayoría de los ruidos asociados con un ventilador nuevo desaparecen durante este tiempo.
5. Si se está usando un juego opcional de iluminación para el ventilador de techo, asegurarse de que los tornillos que aseguran el vidrio estén apretados. Asimismo, verificar que la bombilla esté segura.
6. No conecte el ventilador con un control en la pared de velocidad variable(s).
7. Asegurarse de que el escudete superior esté a una corta distancia del techo. No debe hacer contacto con el techo.



Money Isn't All You're Saving

## PERFORMANCE AND ENERGY INFORMATION

FAN SPEED	AIRFLOW (CFM)*	FAN POWER CONSUMPTION (watts)	AIRFLOW EFFICIENCY (CFM/watt)
High	5865	68.8	85
Medium	3801	28.1	135
Low	2135	9.8	218

Ceiling fan airflow is measured in cubic feet per minute (CFM).

Power use is measured in watts. To maximize energy savings:

- Choose a fan with high airflow efficiency (CFM/watt).
- Use ENERGY STAR®-labeled lighting in your fan.
- Remember to switch off your fan when you leave the room.

\*Measured according to the ENERGY STAR® approved Solid State test method

