

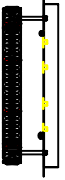
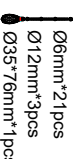
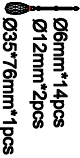
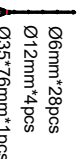
Assembly Instruction Sheet #IS-5613C20ST For Style 5613C20ST

Tools Required: Flathead screwdriver, Phillips screwdriver, pliers, wire cutters, wire strippers, electrical tape, safety glasses.
Light Source: () 120V LED 16-1W+120V LED 6.3W DIMMABLE (4000K)
Preparation: Identify and inspect all parts before beginning installation. Check package content list and diagrams below to be sure all parts are present. If any parts are missing or damaged, do not attempt to assemble, install, or operate the fixture. Contact customer service for replacement parts.

Warnings and Cautions

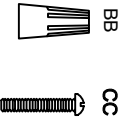
Turn off electricity at circuit breaker or main fuse box before installation. Consult a licensed electrician if in doubt. These instructions are provided for your safety. It is very important you read them completely before installing the fixture. We strongly recommend that a licensed, professional electrician perform the installation. Disconnect fixture from power source before replacing bulbs. Make sure bulbs are given sufficient time to cool before removal.

Package Contents

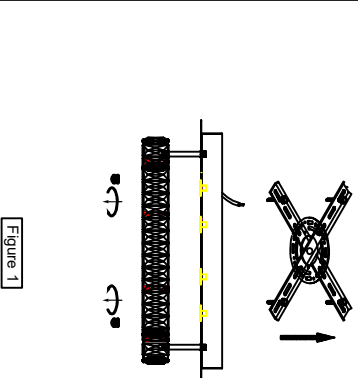
- | | |
|---|--|
| <ul style="list-style-type: none">  A Fixture Body x1 | <ul style="list-style-type: none">  2 Crystal X6 |
| <ul style="list-style-type: none">  1 Crystal x12 | <ul style="list-style-type: none">  3 Crystal x1 |

Hardware Contents

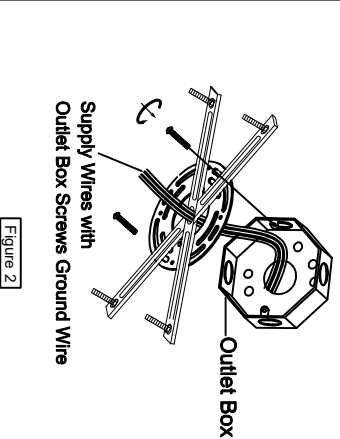
PART	DESCRIPTION	QUANTITY
BB	Wire nut	2pcs
CC	Outlet Box Screw	2pcs



STEP 1 - Release Crossbar from Ceiling Canopy .

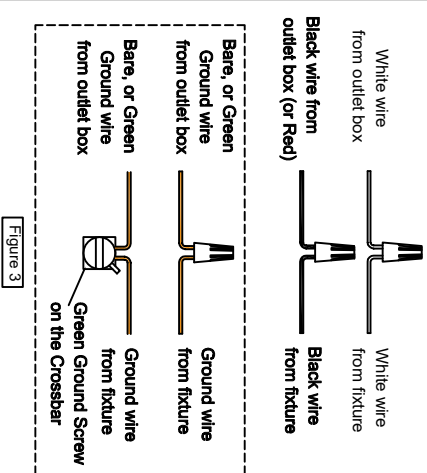


STEP 2 - Attach Crossbar to Outlet Box

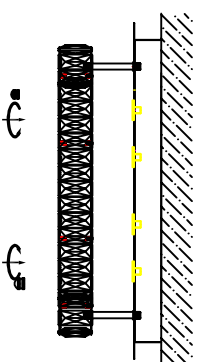


STEP 3 - Wire Connections

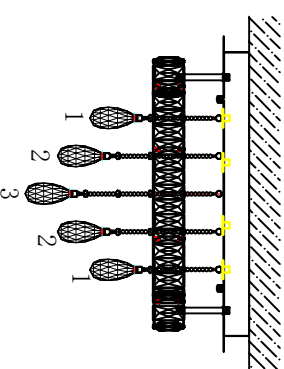
A. Use standard wire connectors to make all wire connections. Twist connectors until wires are tightly joined together. Wrap each connection with approved electrical tape and carefully stuff all the connected wires into the Outlet Box.



STEP 4 - Install Ceiling Canopy to Ceiling.



STEP 5 - Install Crystal .



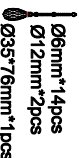
- | | |
|--|--|
| <ul style="list-style-type: none">  1 Crystal x12 | <ul style="list-style-type: none">  2 Crystal X6 |
| <ul style="list-style-type: none">  3 Crystal x1 | <ul style="list-style-type: none">  1 Crystal x12 |

Figure 5

