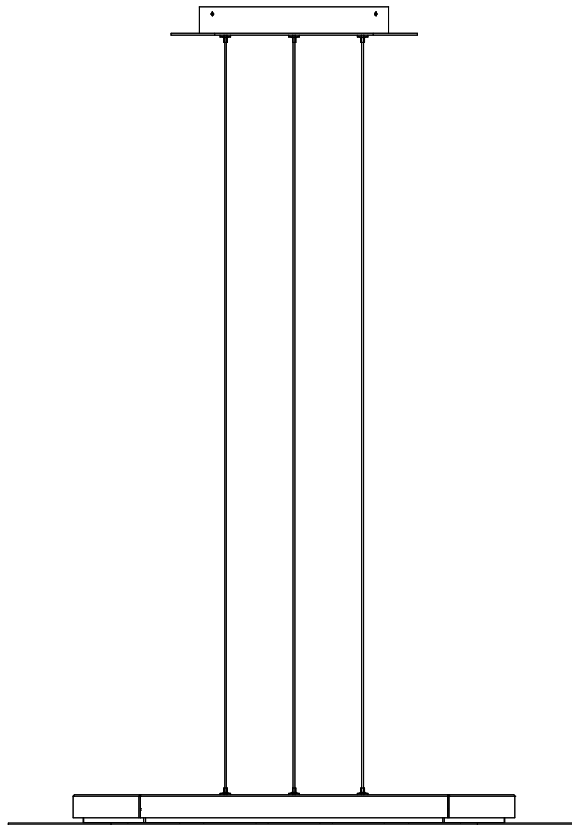




PRODUCT NAME : Palette  
ITEM NUMBER: E20784-SF

Please consult your electrician for hanging fixture and wiring.



**WARNING:** WIRES NEED TO BE CONNECTED BY HELPER FOR NEUTRAL AND GROUND. DO NOT CONNECT DIRECTLY TO POWER SOURCE OR A SWITCH MIGHT OCCUR.

The fixture is designed to dim with a standard Triac forward phase dimmer. Dimming levels will vary by dimmer.  
Below is a list of recommended dimmers:  
Lutron MAUL-153M  
Lutron DVI-153P  
Lutron SCL-150P  
Lutron IPI 06-107  
Leviton 6074 20W

Due to the inrush current wattage should not exceed 150 watts of power for a 600 watt dimmer.

30W LED

**IMPORTANT: Turn off the power at the main fuse or circuit breaker box before starting installation**



Bracket (A)

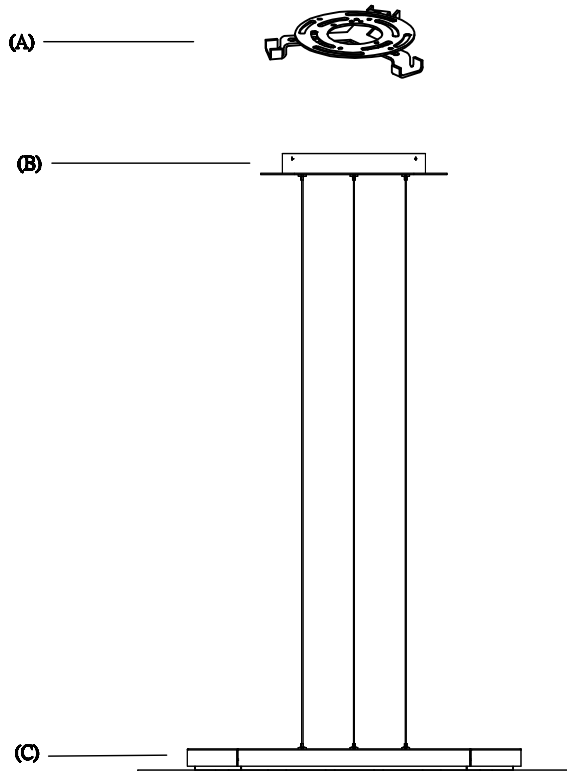


Canopy(B)

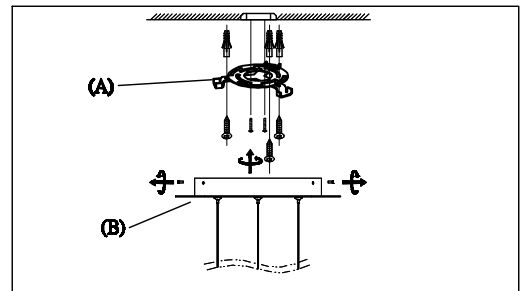


Body (C)

**Locate all hardware & components before discarding packaging**

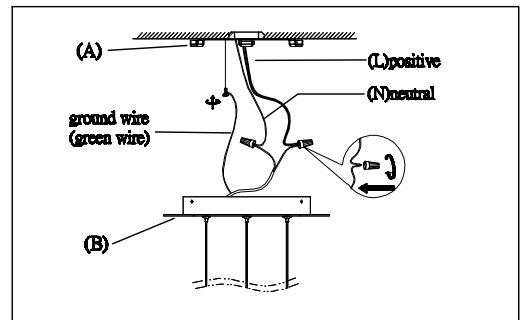


1.)



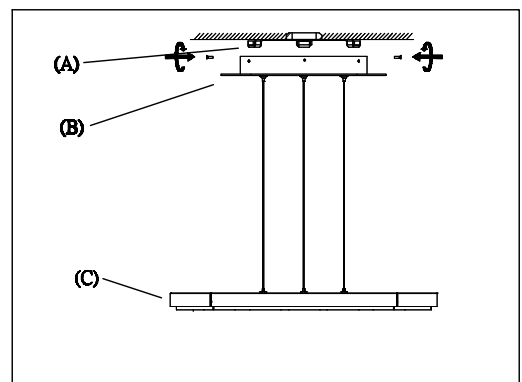
**Step.1: Remove Bracket (A) from fixture and install to electrical box.**

2.)



**Step.2: Wire fixture to wires in outlet box. Install Green wire to Ground Screw.**

3.)



**Step 3: Adjust wire length to desired hanging height. Install Canopy (B) to Bracket (A) and tighten screws at the ends of canopy to secure.**

**Cleaning & Care:**

Clean with soft cloth and a mild detergent.  
Do not use abrasive cleaner.