

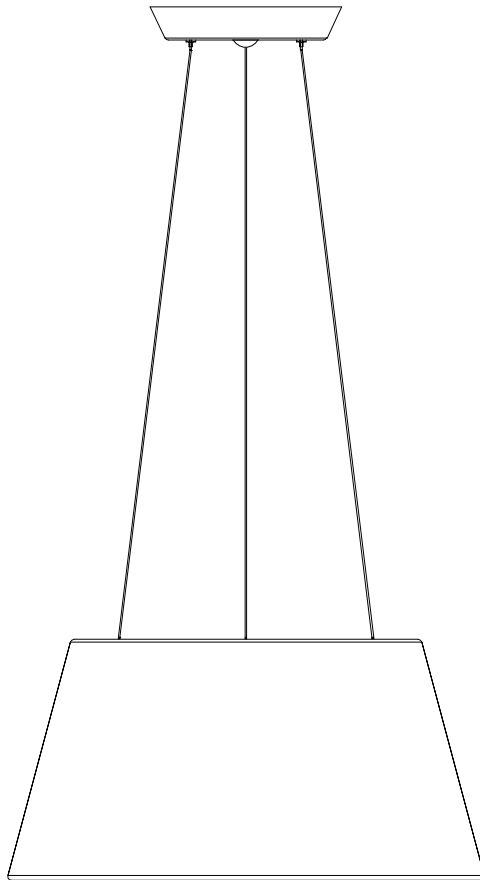


Contemporary
Lighting™

PRODUCT NAME : Quantum LED

ITEM NUMBER: E20906-BK

Please consult your electrician for hanging fixture and wiring.



WARNING: WIRES NEED TO BE CONNECTED BY EITHER A LICENSED ELECTRICIAN AND SHIELDED. DO NOT CONNECT DIRECTLY TO POWER SOURCE OR A SWITCH MIGHT OCCUR.

The fixture is designed to dim with a standard Triac forward phase dimmer. Dimming levels will vary by dimmer.
Below is a list of recommended dimmers:
Lutron MAUL-153M
Lutron DVI-153P
Lutron SCL-150P
Lutron IPI 06-107
Leviton 6074 20W

Due to the inrush current wattage should not exceed 150 watts of power for a 60W watt dimmer.

60W LED

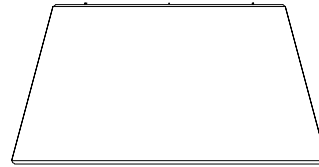
IMPORTANT: Turn off the power at the main fuse or circuit breaker box before starting installation



Bracket (A)

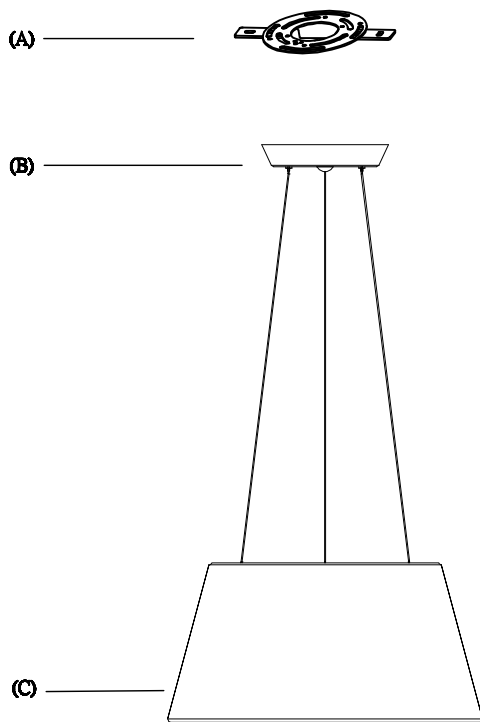


Canopy(B)

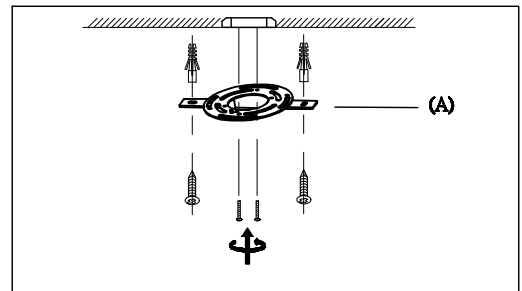


Body (C)

Locate all hardware & components before discarding packaging

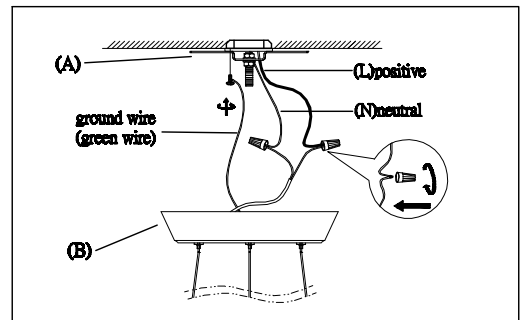


1.)



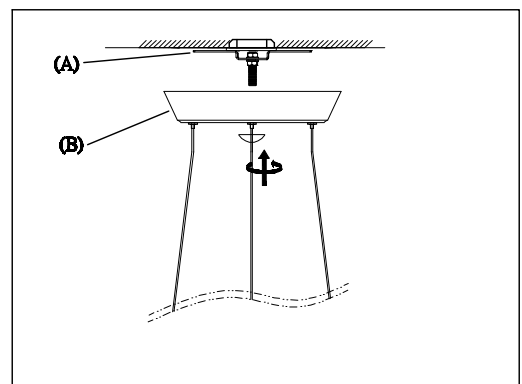
Step.1: Remove Bracket (A) from fixture and install to electrical box.

2.)



Step.2: Wire fixture to wires in outlet box. Install Green wire to Ground Screw.

3.)



Step 3: Adjust wire length to desired hanging height. Install Canopy (B) to Bracket (A) and tighten screws at the ends of canopy to secure.

Cleaning & Care:

Clean with soft cloth and a mild detergent.
Do not use abrasive cleaner.