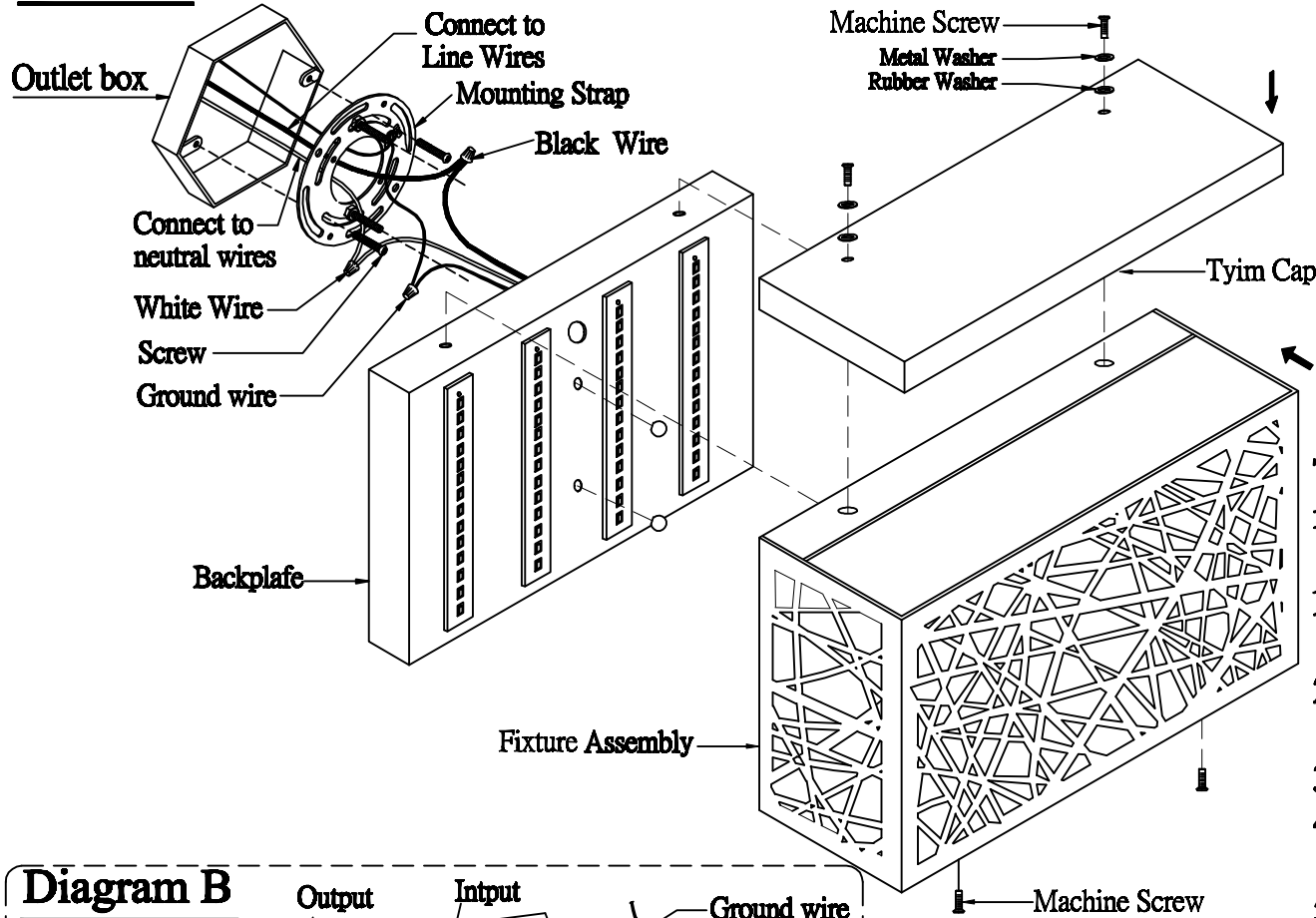


Diagram A



Turn off power at breaker for outlet fixtures is being installed to.

1. Install fixture mounting screws into mounting strap
2. Install mounting strap to outlet box with Screw 1
3. Wire Backplate to outlet per diagram B
4. Install Backplate to mounting strap and secure with finials
5. Install Fixture Assembly and Trip Cap to Backplate with machine screws, metal washer and rubber washer on top and bottom.

Diagram B

