

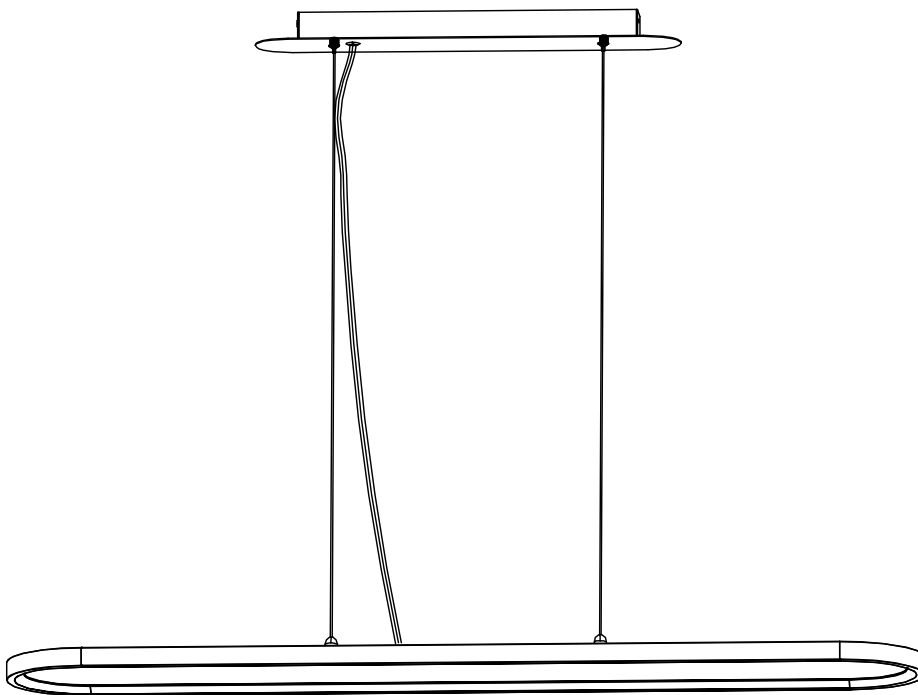


ET2 Contemporary  
Lighting™

PRODUCT NAME : Moonbeam LED

ITEM NUMBER: E22448-11MS

Please consult your electrician for hanging fixture and wiring.



**WARNING:** WIRES NEED TO BE CONNECTED BY EITHER A LICENSED ELECTRICIAN AND THE LED NOT CONNECT DIRECTLY TO POWER SOURCE OR A SHORT MIGHT OCCUR!

The fixture is designed to dim with a standard Triac forward phase dimmer. Dimming levels will vary by dimmer.  
Below is a list of recommended dimmers:

- Lutron MAAL-153M
- Lutron DVI-153P
- Lutron SCL-150P
- Lutron IPI 06-107
- Lutron 6074 20W

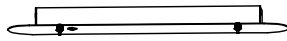
Due to the inrush current wattage should not exceed 150 watts of power for a 600 watt dimmer.

50W LED

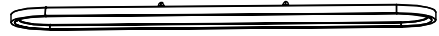
**IMPORTANT: Turn off the power at the main fuse or circuit breaker box before starting installation**



Bracket (A)

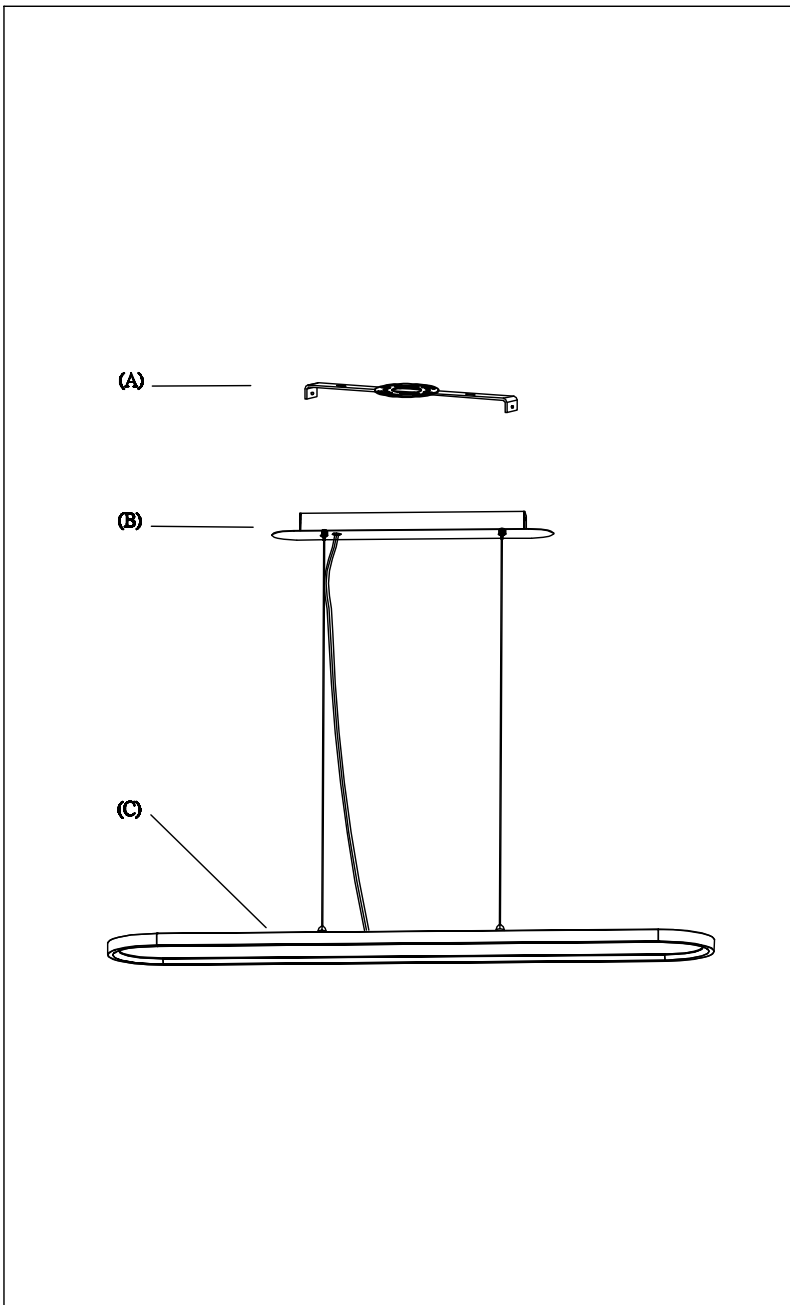


Canopy (B)

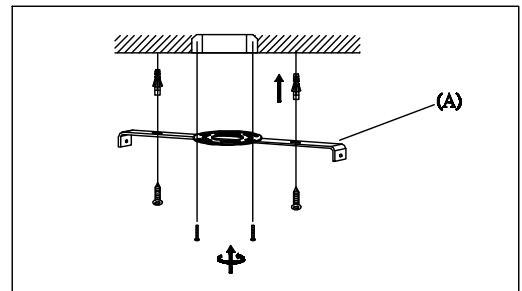


Body (C)

**Locate all hardware & components before discarding packaging**

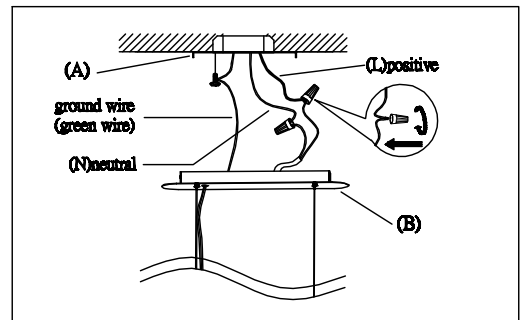


1.)



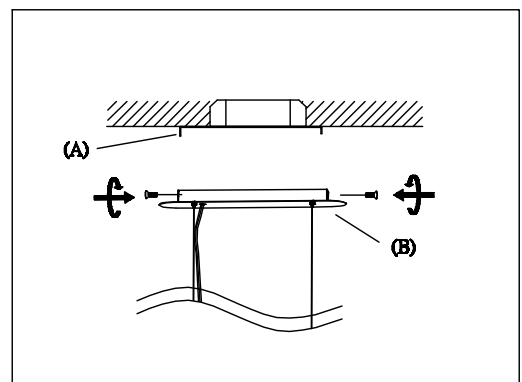
**Step 1: Remove Bracket (A) from fixture and install to electrical box.**

2.)



**Step 2: Wire fixture to wires in outlet box. Install Green wire to Ground Screw.**

3.)



**Step 3: Adjust wire length to desired hanging height. Install Canopy (B) to Bracket (A) and tighten screws at the ends of canopy to secure.**

**Cleaning & Care:**

Clean with soft cloth and a mild detergent.  
Do not use abrasive cleaner.