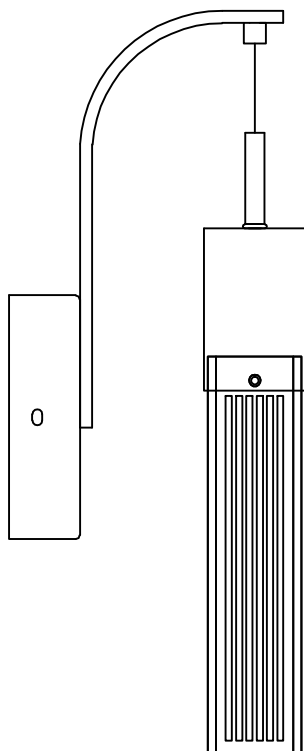


# Contemporary Lighting

**PRODUCT NAME: Fizz Wall Mount**  
**ITEM NUMBER: E22760-89**

**Please consult your electrician for hanging fixture and wiring**



The fixture is designed to with a standard Triac forward phase dimmer. Dimming levels will vary by dimmer.

Below is a list of recommended dimmers:

Lutron MACL-153M  
Lutron DVL-153P  
Lutron SCL-153P  
Leviton IPL06-10Z  
Leviton 6674-POW

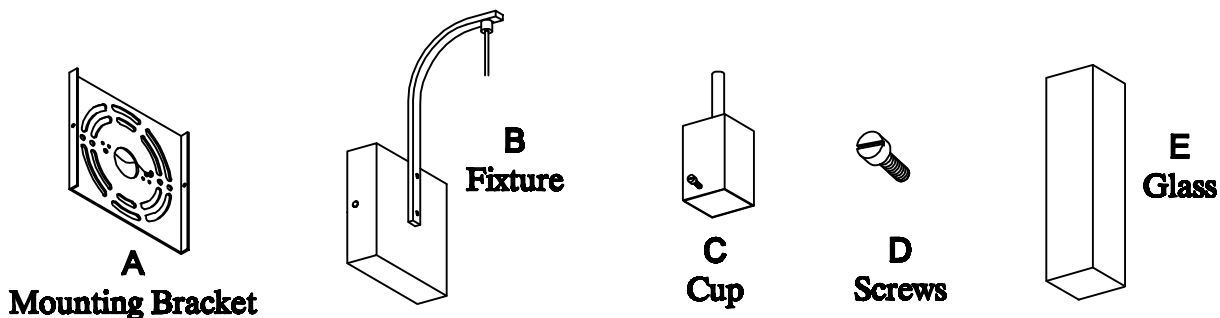
Due to inrush current wattage should not exceed 150 watts of product for a 600 watt dimmer.

**WARNING:** Wires need to be connected to driver found in canopy and should not connect directly to power source or a short might occur.

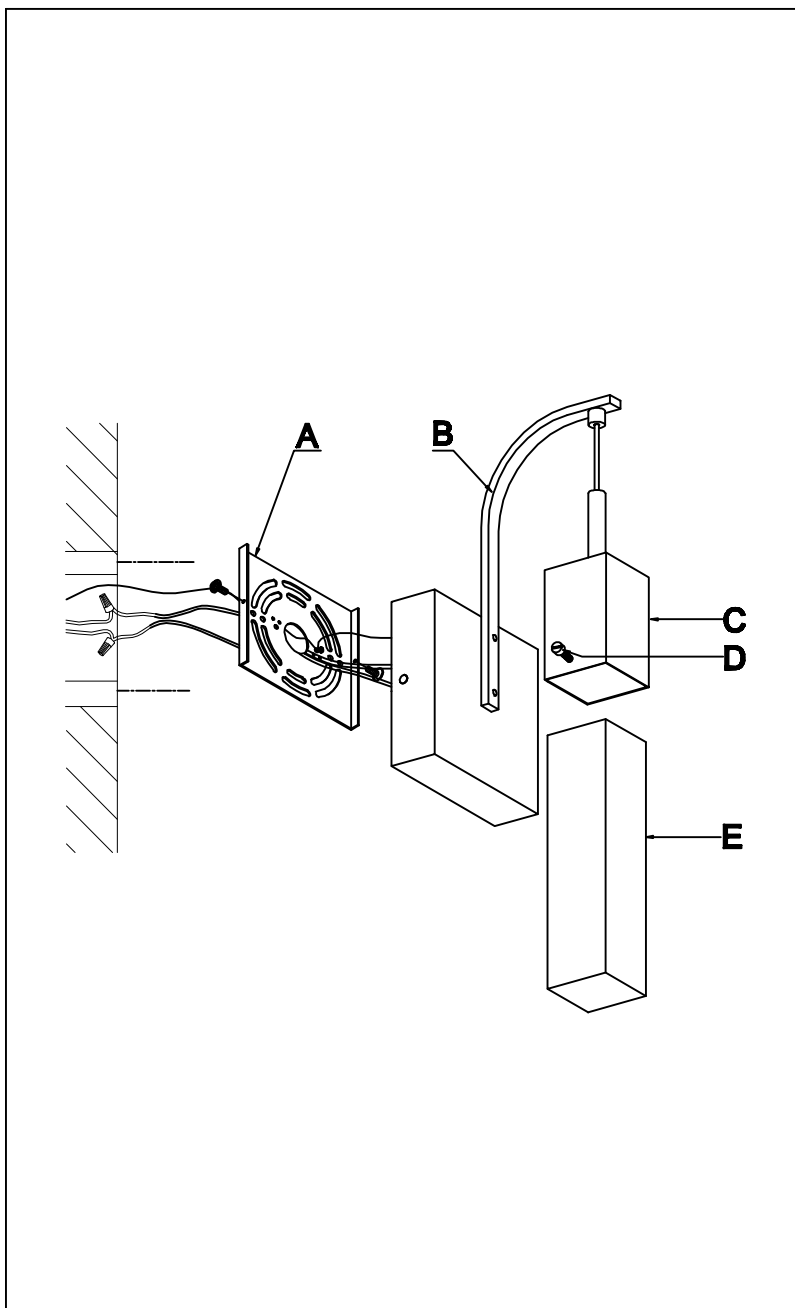
**PRODUCTS ARE NOT INENDED  
FOR COMMERCIAL USE**

**MADE IN CHINA**  
Page 1 of (2)

**IMPORTANT: Turn off the power at the main fuse or circuit breaker box before starting installation**



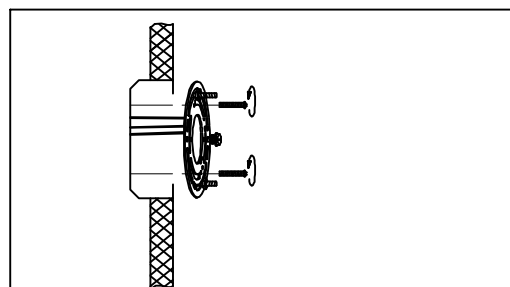
**Locate all hardware & components before discarding packaging**



**Cleaning & Care:**

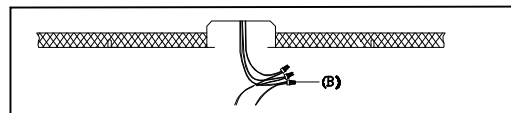
Clean with soft cloth and a mild detergent.  
Do not use abrasive cleaner.

1.)



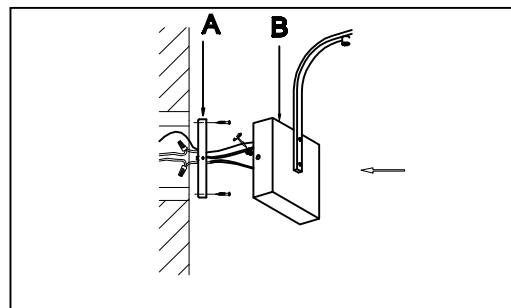
**Step 1: Remove mounting bracket (A) from fixture and install to electrical box.**

2.)

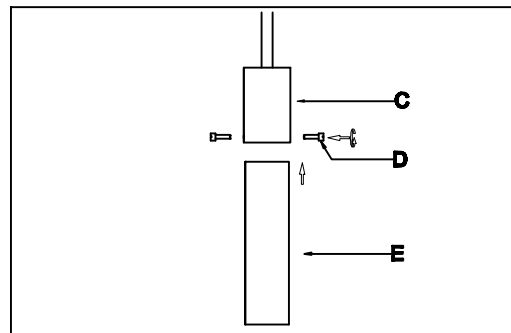


**Step 2: Wire fixture (B) to wires in outlet box. Copper wire is for Ground.**

3.)



**Step 3: Install fixture (B) to bracket (A) and tighten screws at the ends of the canopy to secure to wall.**



**Step 4: Insert glass (E) into cup (C) and secure using screws (D) provided.**