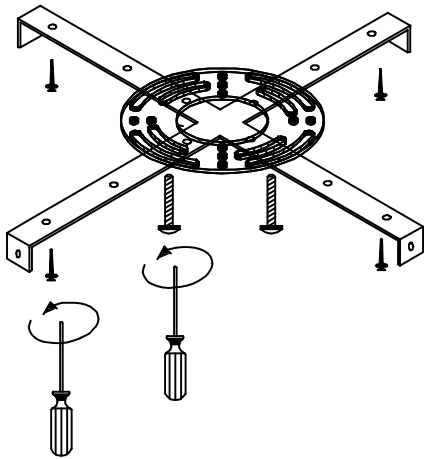




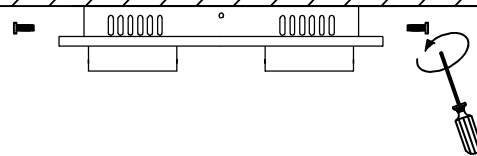
ET2 Contemporary
Lighting™

Installation Instructions

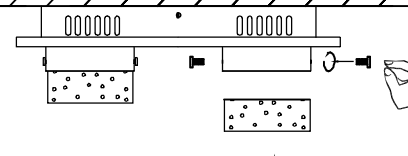
Model E22772-91PC



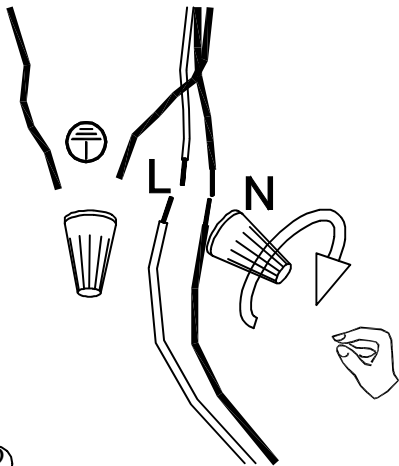
①



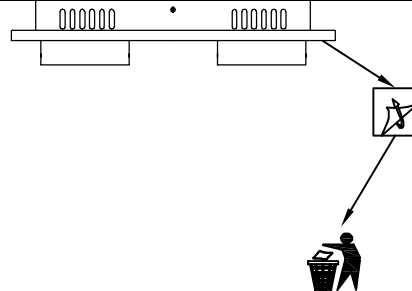
③



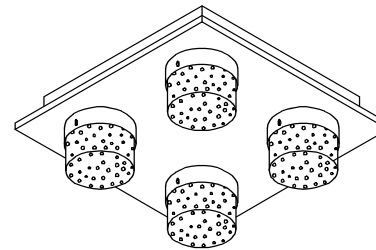
⑤



②



④



1. Turn breaker off for circuit on outlet where fixture is to be installed.
2. Remove mounting bracket from fixture and install to electrical box (Figure 1)
3. Wire fixture to wires in outlet box. Green wire is for Ground.
4. Install fixture to back-plate and tighten 2 nuts so that fixture meets the wall. (Figure 3)
5. Remove protective paper from fixture. (Figure 4)
6. Install glass into holder using 2 screws supplied. (Figure 5)

WARNING!

This fixture may be dimmed using standard triac dimmer. For maximum adjustability We recommend Lutron CL series dimmers.