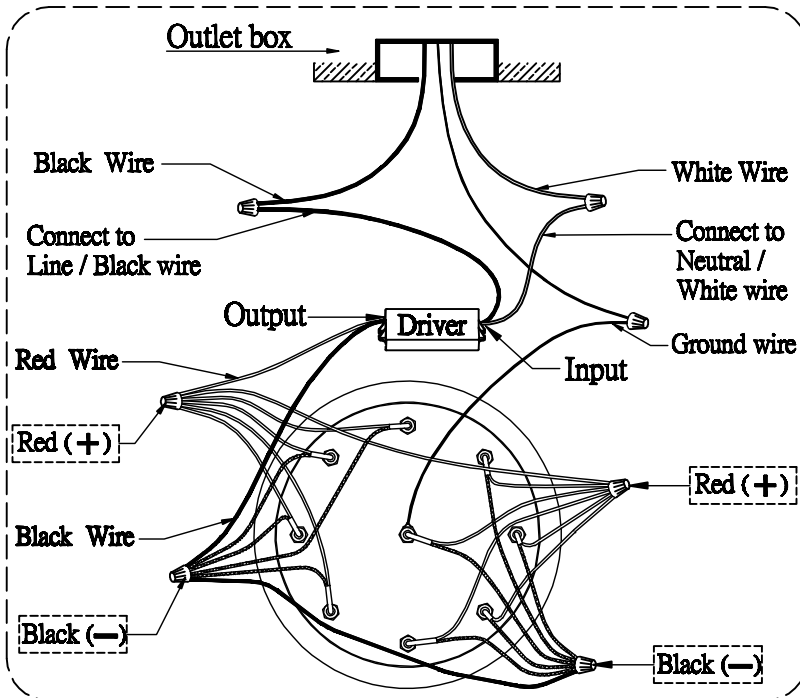
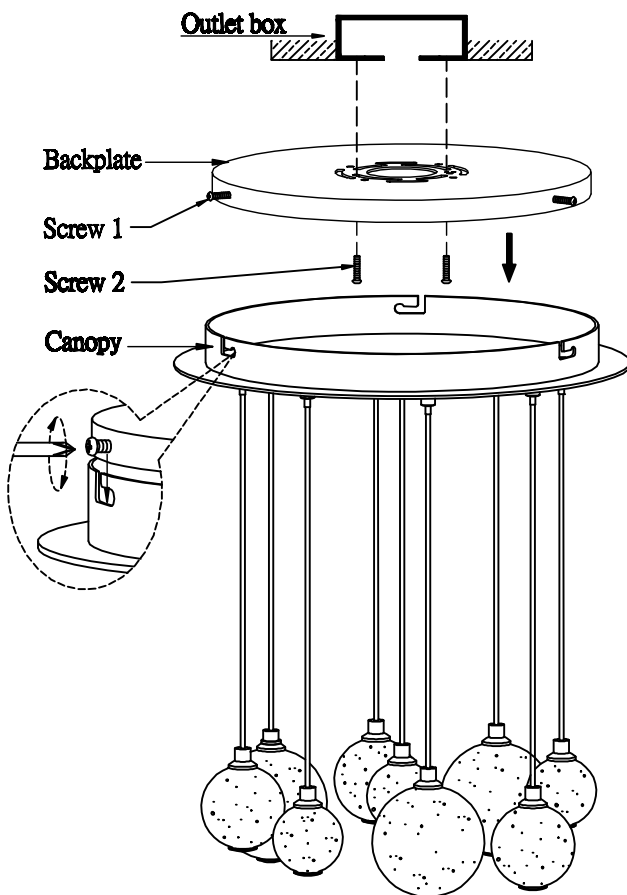




## Diagram A



## Diagram B



### 1. Electrical Wiring:

**WARNING:** The fixture wires need to be connected to DRIVER found in the backplate. Do not connect the Red and Black wire from fixture directly to power source or a Blowout/ Shortcircuit might occur.

Connect the WHITE wire of the Driver to the White/Neutral wire from electrical source using the wire nut provided. Connect the BLACK wire of the Driver to the Black/Line wire from electrical source using the wire nut provided. Connect the GROUND wire from the fixture and Ground of the electrical source to the Green Ground screws on the backplate.

**WARNING:** Please refer to the Electrical wiring instructions provided for safety and proper procedure of electrical wiring. Consult a qualified electrician for electrical wiring if you are not familiar with electrical wiring.

### 2. Assembling Instruction:

- Position the backplate on the ceiling at desired location and mark the place for the anchor at the extra 4 hole location of the backplate.
- Drill pilot holes on the marked spots and insert plastic anchors.
- Attach the Backplate to the outlet box using the screws 2 provided. Use the wood screws to further secure the backplate to wall at the 4 plastic anchor place.
- Do electrical wiring. Please refer to Diagram A for electrical wiring. Also refer to the Electrical wiring instruction provided for safety procedure before doing electrical installation.
- Attach fixture to the backplate screws 1 and tighten screw 1 to secure. Please refer to Diagram B for details.