

E30001-10/E30011-10

ASSEMBLY INSTRUCTION:

Carefully remove all parts from the box and remove all plastic overings.

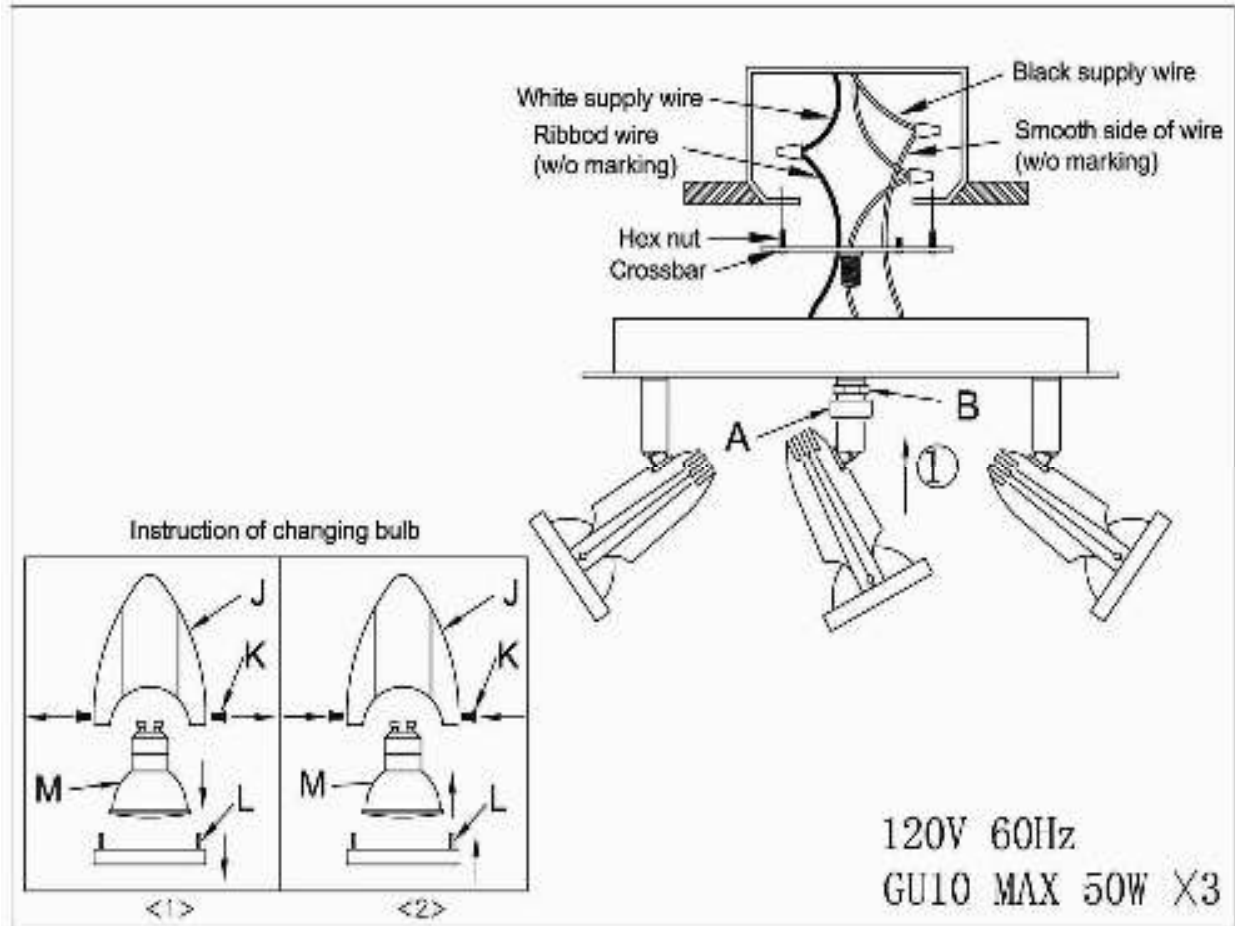
1) Fix the decoration part(A) and the ceiling steel in the ceiling by provided screw(B).

Refer to illustration below. Consult your local electrician with questions.

Instruction of changing bulb

1) Take away screw (K) and lampshade cover (L) from lampshade (J), then take away the bulb(M).

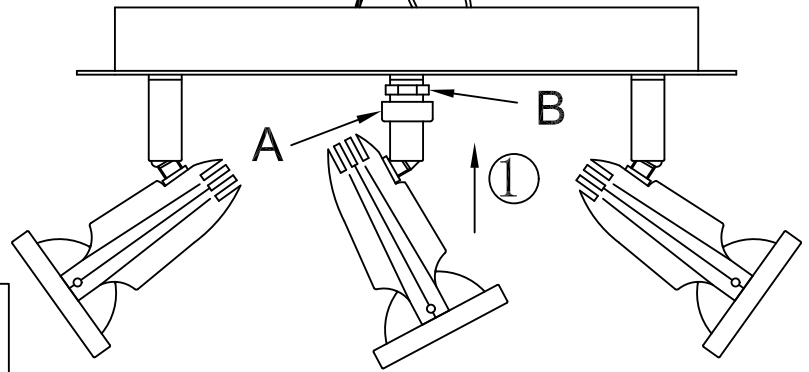
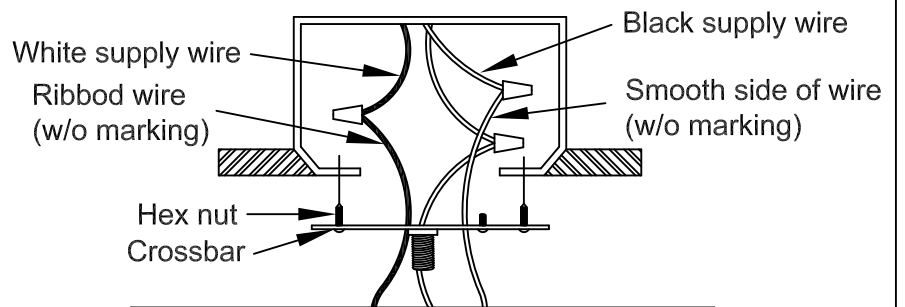
2) Install the GU10 bulb(M) (max. 50W, provided), put lampshade cover (L) into lampshade (J), then use provided screw(K) to lock it. Consult your local electrician with questions.



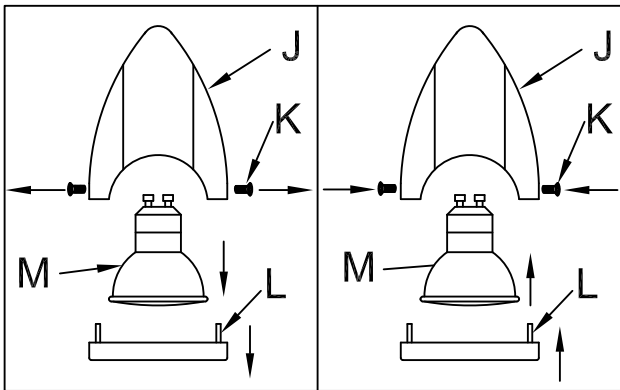
WARNING:

Do not use polishes or cleaners on your lamp.

WIPE CLEAN WITH SOFT DRY CLOTH.



Instruction of changing bulb



120V 60Hz
 GU10 MAX 50W X3