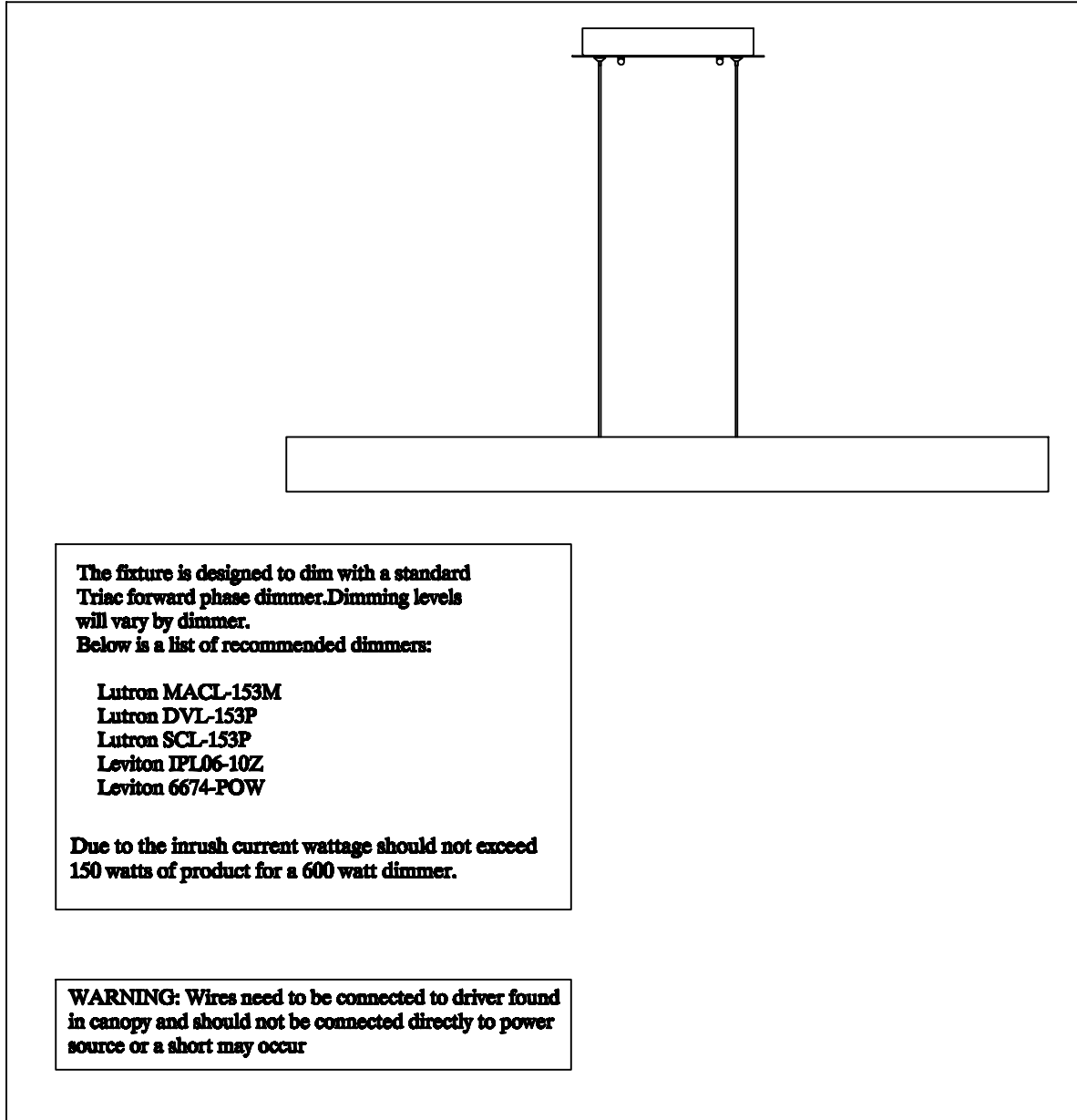


Contemporary Lighting

PRODUCT NAME: Blade
ITEM NUMBER: E22905

Please consult your electrician for hanging fixture and wiring.



**The fixture is designed to dim with a standard Triac forward phase dimmer. Dimming levels will vary by dimmer.
Below is a list of recommended dimmers:**

**Lutron MACL-153M
Lutron DVL-153P
Lutron SCL-153P
Leviton IPL06-10Z
Leviton 6674-POW**

Due to the inrush current wattage should not exceed 150 watts of product for a 600 watt dimmer.

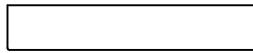
WARNING: Wires need to be connected to driver found in canopy and should not be connected directly to power source or a short may occur

LED 1 x 26W Bulb

IMPORTANT: Turn OFF the power at the main fuse or circuit breaker box before starting installation



A
Mounting Hardware

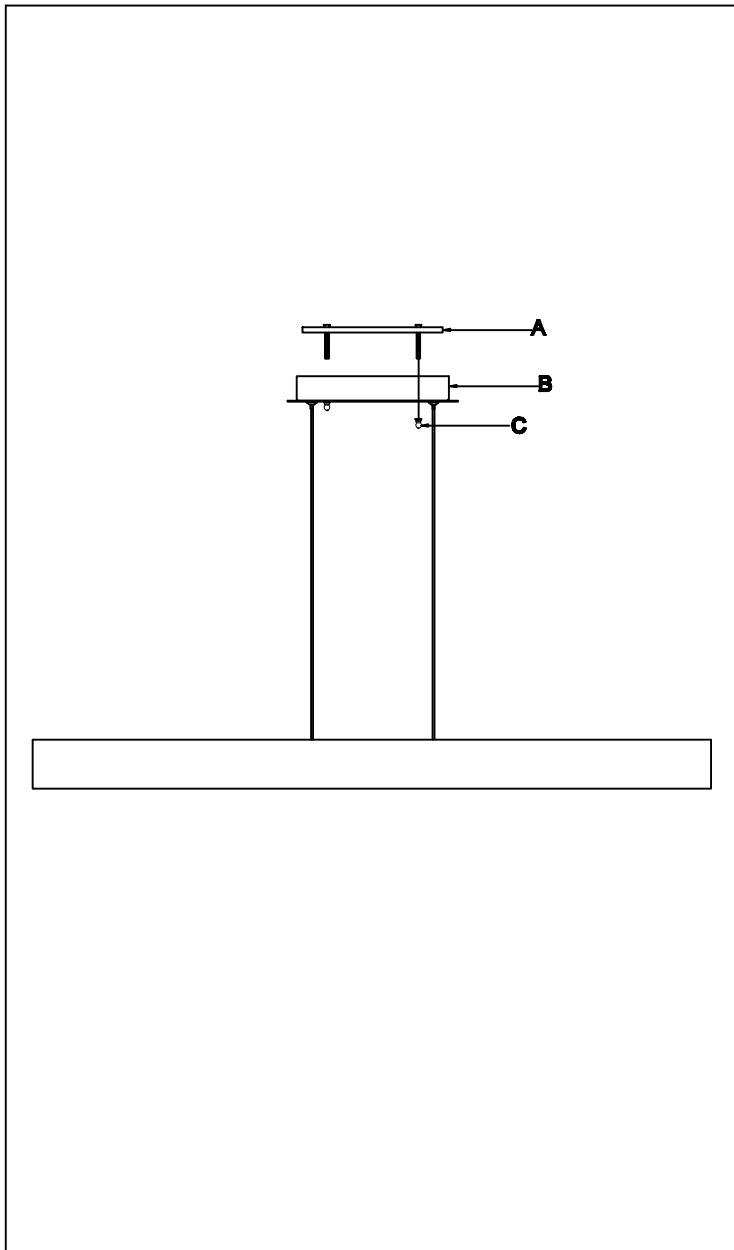


B
Canopy

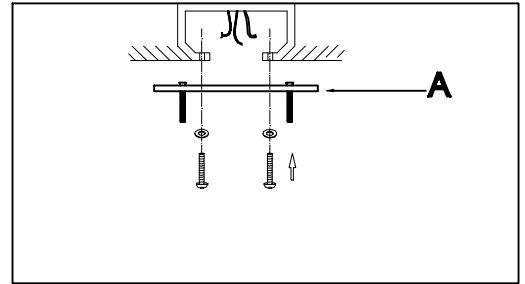


C
Finial

Locate all hardware & components before discarding packaging

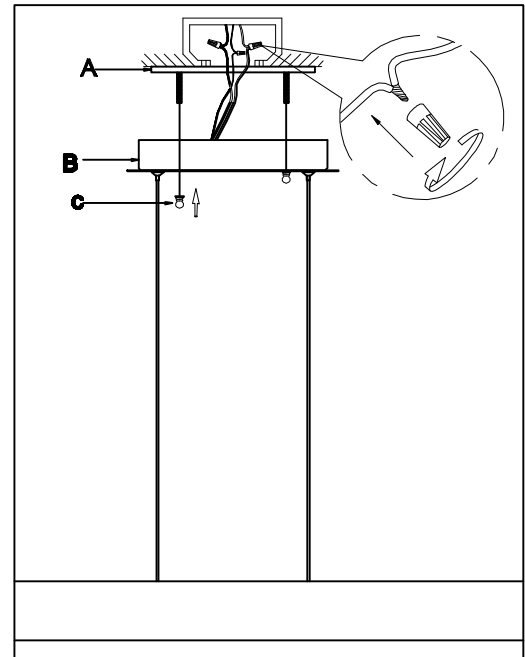


1.)



Step.1: Remove mounting hardware (A) from back plate (B) and install to electrical box.

2.)



Step.2: Wire fixtures to wires in outlet box. Green wire is ground. Adjust wire length to desired mounting height and tighten strain relief screws to secure. Install canopy (B) to bracket using finials (C) to secure.

Cleaning & Care:

**Clean with soft cloth and a mild detergent.
Do not use abrasive cleaner.**