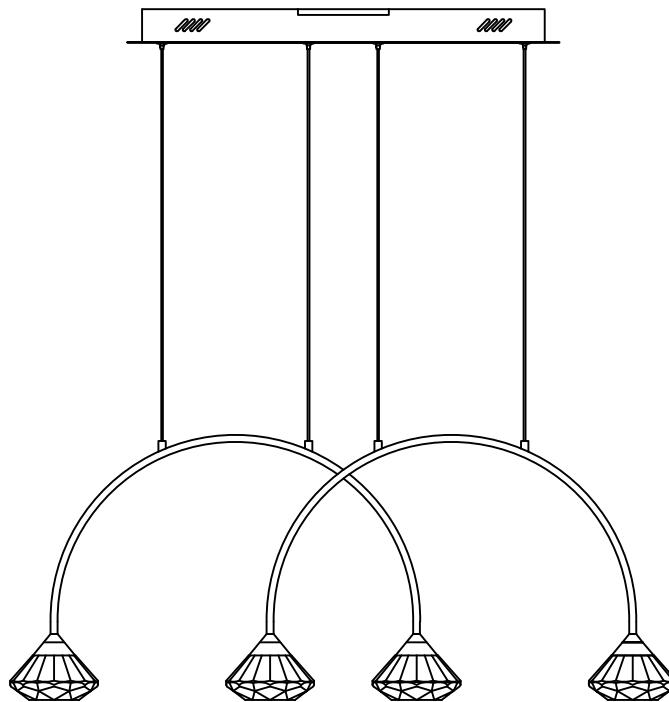


# Contemporary Lighting™

PRODUCT NAME: Hope 4LT Pendant  
ITEM NUMBER: E24804

Please consult your electrician for hanging fixture and wiring.



The fixture is designed to dim with a standard Triac forward phase dimmer. Dimming levels will vary by dimmer.

Below is a list of recommended dimmers:

- Lutron MACL-153M
- Lutron DVL-153P
- Lutron SCL-153P
- Leviton IPL06-10Z
- Leviton 6674-POW

Due to inrush current wattage should not exceed 150 watts of product for a 600 watt dimmer.

**WARNING:** Wires need to be connected to driver found in canopy and should not be connected directly to power source or a short may occur.

Bulbs ( Included ):4\*LED\*3W

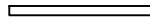
**IMPORTANT:** Turn off the power at the main fuse or circuit breaker box before starting installation



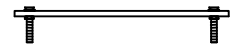
Bracket (A)



Mounting Screws(B)

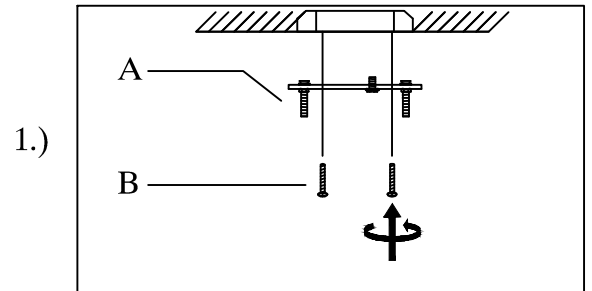
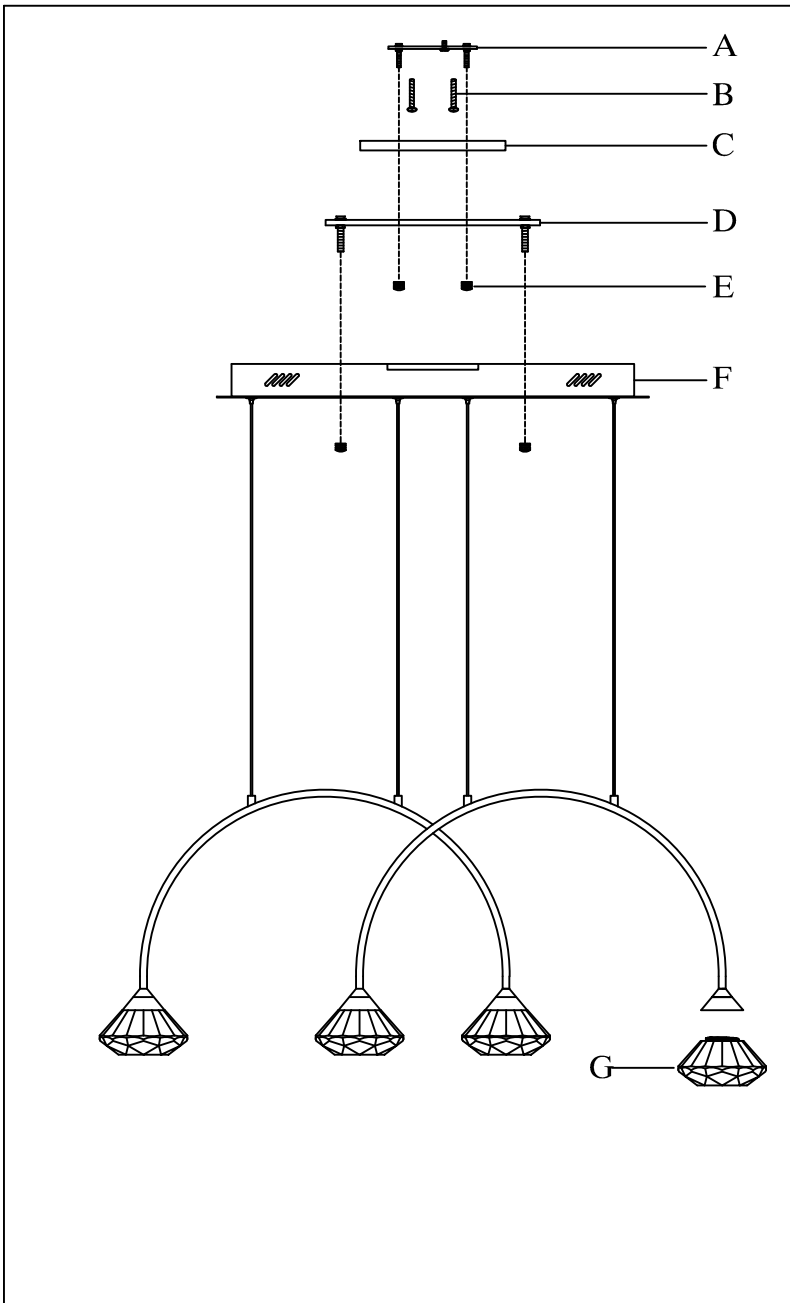


Back plate(C)



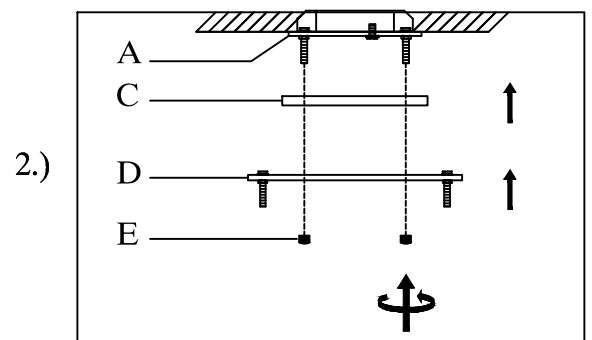
Bracket (D)

Locate all hardware & components before discarding packaging



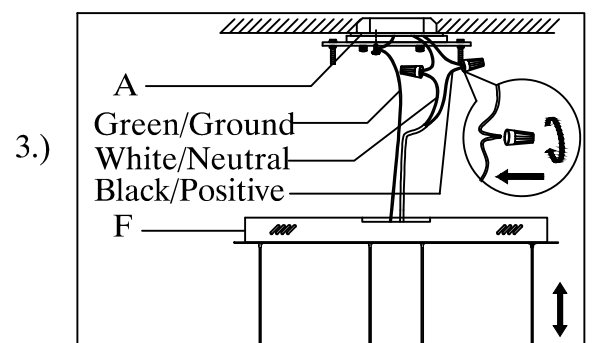
1.)

Step1 :Remove mounting bracket from fixture and install to electrical box.



2.)

Step2 :Install fixture to bracket and Nuts at the ends of the bracket to secure.



3.)

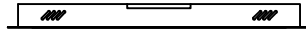
Step3 :Adjust wire length to desired mounting height, and tighten strain relief screws to secure. Wire fixture to wires in outlet box. Green wire is for Ground.

**Cleaning & Care:**  
Clean with soft cloth and a mild detergent.  
Do not use abrasive cleaner.

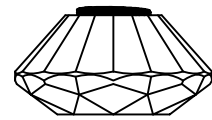
**IMPORTANT:** Turn off the power at the main fuse or circuit breaker box before starting installation



Decorative Nut(E)

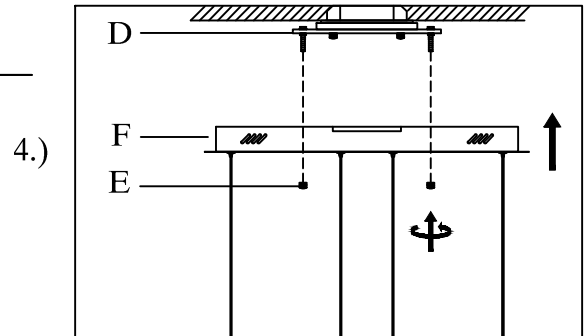
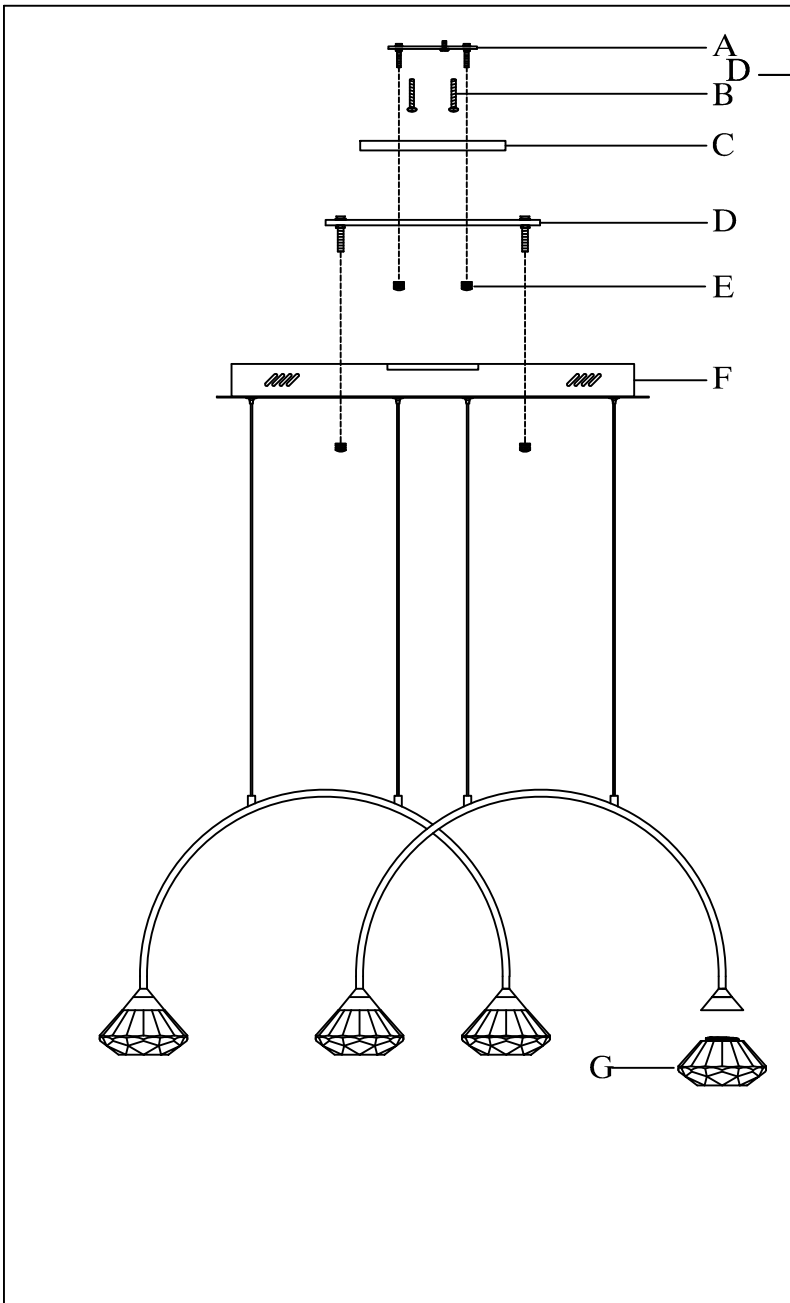


Canopy(F)



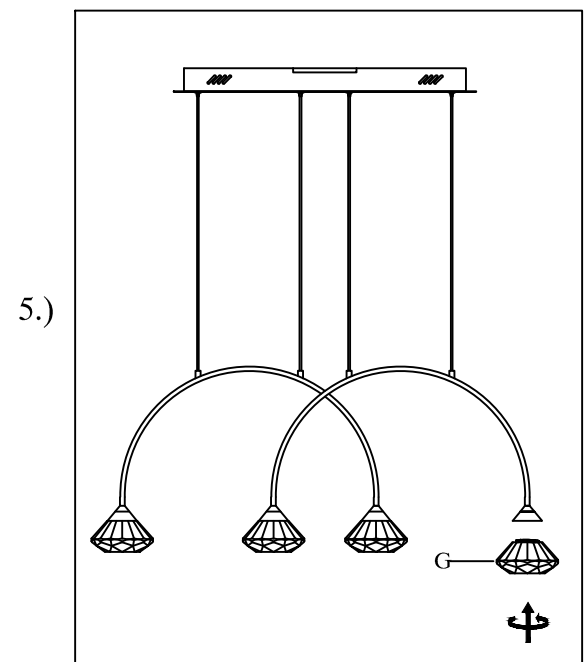
Acrylic(G)

Locate all hardware & components before discarding packaging



4.)

Step4 :Install fixture to canopy by decorative nut(E) on the canopy (F) to bracket (D).



5.)

Step5 :Attach acrylic (G) shade to light source.

**Cleaning & Care:**  
Clean with soft cloth and a mild detergent.  
Do not use abrasive cleaner.