

INSTALLATION INSTRUCTIONS FOR P1326-L

Mini Pendant

READ AND SAVE THESE INSTRUCTIONS

I/M

3/7/16

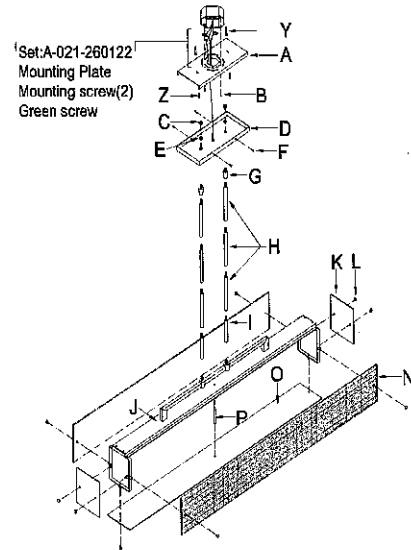
WARNING! SHUT POWER OFF AT FUSE OR CIRCUIT BREAKER

AVERTISSEMENT! COUPER LE COURANT AU NIVEAU DES FUSIBLES OU DU DISJONCTEUR

ASSEMBLING THE FIXTURE (Fig.1)

- 1 Shut off the power at the circuit breaker box (avertissement! couper le courant au niveau des fusibles ou du disjoncteur) and remove the old fixture, including the mounting hardware.
- 2 Shut off power at the circuit breaker and remove the old fixture including the mounting hardware.
- 3 Position the mounting bracket (B) (part#A-021-220122) onto the ceiling, and mark the location of the two drywall anchors (Y). Pre-drill the holes for the drywall anchors (Y) and insert the drywall anchors (Y) into the ceiling
- 4 Attach the mounting bracket (A) to the outlet box with junction box screws (B)(size:8-32*1/2"L). The side of the mounting bracket marked "GND" must face out.
- 5 Place the wood screws (Z) through the mounting bracket and into the drywall anchors (Y)
- 6 This fixture includes two 6" and six 12" rods. Determine the desired hanging height and connect rods (H:W30-1-084 and I:W30-H-084). Feed the fixture wire carefully through each rod.
- 7 Secure swivel (G) to the last section of rod (H).
- 8 Slide faceplate (D) onto the two swivels (G), and secure tightly with lock washer (E) and hex nuts (C)
- 9 Place Lron tube(P) onto the fixture(J);Place glass(K) onto the fixture (J), and secure with Nut Cap (L) ;Place glass(N) onto the fixture (J), and secure with Nut Cap (L);Place glass(O) onto the fixture (J), and secure with Nut Cap (L)

Fig.1



CONNECTING THE WIRES (Fig.2)

- 10 At this point, connect the electrical wire as shown in figure 2, making sure that all wire connectors are secured. If your outlet has a ground wire (green or bare copper), connect the ground wire from the hanger ball and mounting plate to it. Otherwise, connect the ground wire from hanger ball directly to the mounting plate ground wire and secure with wire connectors provided.

COMPLETING THE INSTALLATION

- 11 Raise faceplate (D) to mounting bracket (A) and secure with screw (F). Your installation is now complete. Return power to the junction box and test the fixture.

CAUTION /ATTENTION:When handling the fixture, do not apply pressure to the LEDs. Hold the fixture by the base (J) only.

Replacing LED module (Fig. 3)

The LED module can be replaced by a qualified electrician without cutting of wire and without damage to any decorative element to which the fixture is attached. See installation steps for more details (Fig.3)

Warning: Turn off power at the circuit breaker before replacing LED module.

- a. Loose Nut Cap (L), remove Glass(N) \ Glass(K) and Glass(O) .
- b. Loosen screws (M), disconnect the LED module by unplugging wire connector (Q) and (R) and remove fixture (J);Loose Lron tube(P) and Loosen screws (W), remove Baffle (X) and glass panel(S).
- c. Loose screws (T), remove rubber washers (U) and and Carefully remove LED module (V).
- d. Reverse steps a-c for installing the new LED module.

Note: The LED module should be provided by a specified supplier.

Fig.2

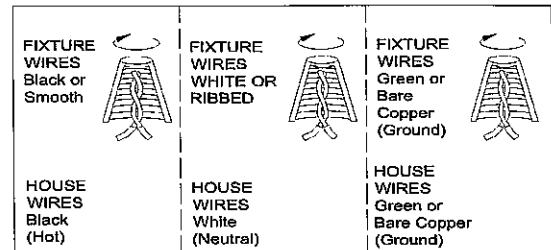
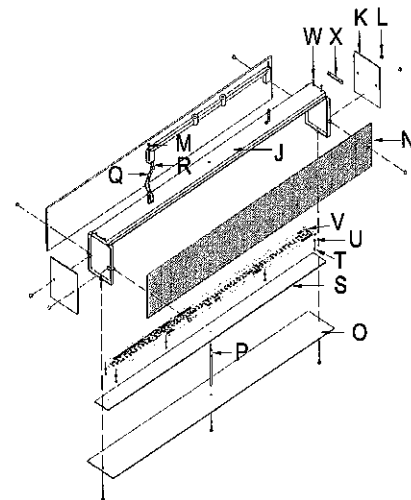


Fig.3



IMPORTANT: Fixture should be installed by a qualified electrician to ensure proper wiring and installation.

Dimmable with ELV and/or LED compatible wall dimmer switches