

Kichler® LED Under-Cabinet 4U SERIES, CP301175 4U_K_____

BEFORE INSTALLING:

- All installations should comply with National and local electrical codes. If you have any doubts concerning installation contact a qualified, licensed electrician.
- This fixture can only be used with Kichler Cabinet Lighting fixtures and accessories.
- This fixture must be installed using interconnect cables 10571 (9"), 10572 (14"), 10573 (21"), connected to wire module 10570 or existing Kichler Cabinet Lighting fixture and can also be installed by directly connecting to another Kichler Cabinet Lighting fixture.
- Mounting surface should be a minimum of ½" thick.
- When using interconnect cables or connecting fixture to fixture, fixtures can have a maximum of 3 units in a single run.

Model Number	Voltage	Wattage	Power Supply Model
4U_K08___	120V	4W	4UT8LED15
4U_K12___	120V	5W	4UT12LED15
4U_K22___	120V	10W	4UT22LED15
4U_K30___	120V	14W	4UT30LED15

NOTE: Read all instructions thoroughly before starting installation.

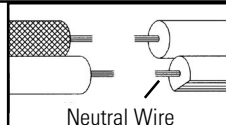
- CAUTION:** To reduce the risk of fire, electric shock, or injury to persons:
- Use only insulated staples or plastic ties to secure cords;
 - Route and secure cords so that they will not be pinched or damaged when the fixture is pushed to the wall;
 - Not intended for recessed installation in ceiling, or soffits;
 - Not intended for surface installation inside built-in furnishings such as kitchen cabinets, china cabinets, or trophy cases;
 - The National Electric Code (NEC) does not permit cords to be concealed where damage to insulation may go unnoticed. To prevent fire danger, do not run cord behind walls, ceilings, soffits, or cabinets where it may be inaccessible for examination. Cords should be visually examined periodically and immediately replaced when any damage is noted.

INSTALLATION INSTRUCTIONS USING LINE CONNECTION

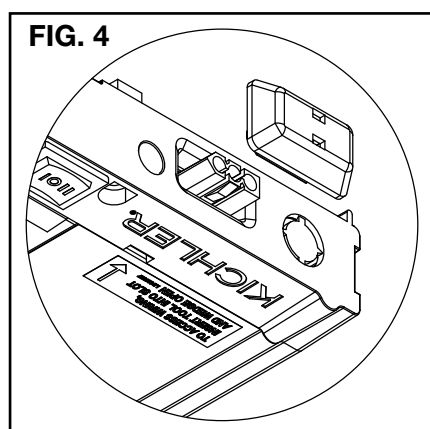
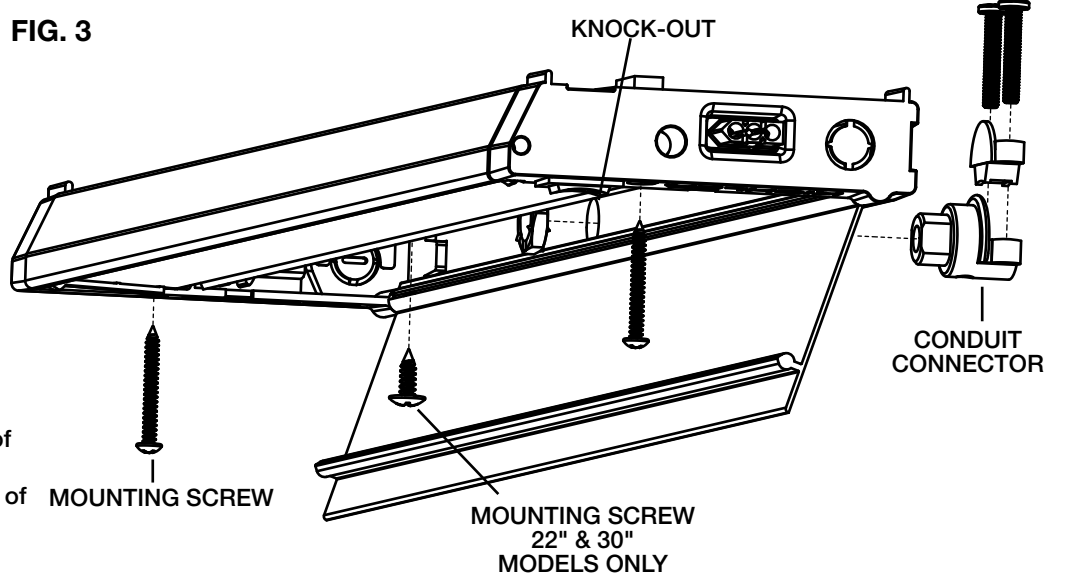
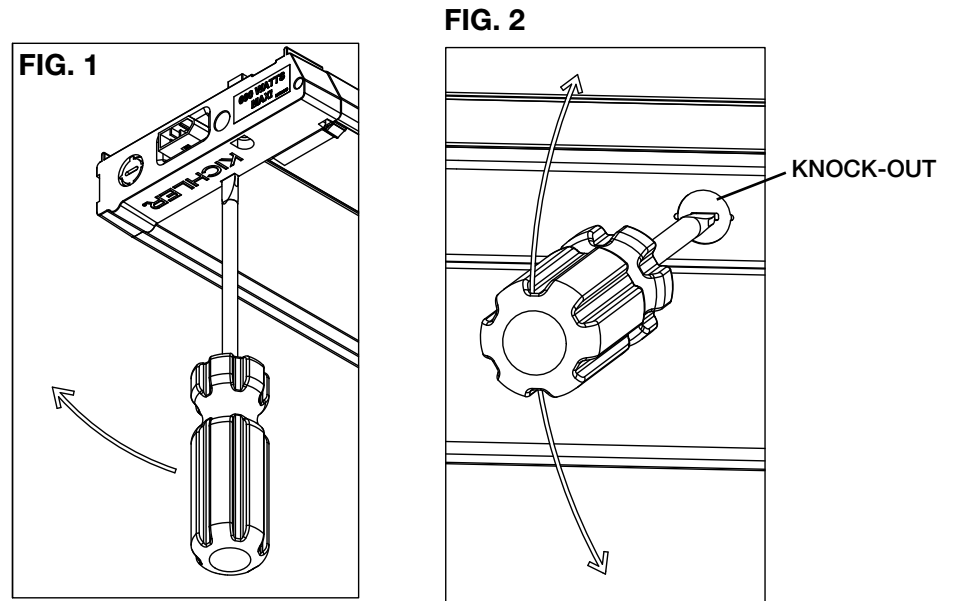
- Turn off power.
- Open wiring compartment by inserting flathead screwdriver into the slots and wedging cover open. (ref. FIG. 1)
- Remove knock-out that allows for easiest access to conduit. Knock-out should be removed by inserting flat-headed screwdriver into the knock-out slot and rocking up and down until knock-out releases. (ref. FIG. 2)
- Install conduit connector in knock-out hole on fixture housing.
- Run wire through installed conduit connector ensuring that at least 3" of wire extend into the wiring compartment. The provided conduit connector may only be used with the following:
 - 14/2 to 10/2 steel armored cable;
 - 3/8" trade sized reduced wall flexible steel or aluminum conduit;
 - or
 - 14/2 to 10/2 non-metallic sheathed cable
- Tighten screws on conduit connector to clamp wire into place.
- Hold the fixture in the desired mounting location and drive mounting screws into cabinet surface until fixture is secure. If screws are difficult to install, mark holes and drill 1/16" maximum pilot holes. (ref. FIG. 3)
- Make grounding connection (connector provided).
- Make wire connections (connectors provided).

Connect Black or Red Supply Wire to:	Connect White Supply Wire to:
Black	White
*Parallel cord (round & smooth)	*Parallel cord (square & ridged)
Clear, Brown, Gold or Black without tracer	Clear, Brown, Gold or Black with tracer
Insulated wire (other than green) with copper conductor	Insulated wire (other than green) with silver conductor

*Note: When parallel wires (SPT I & SPT II) are used. The neutral wire is square shaped or ridged and the other wire will be round in shape or smooth (see illus.)



- Swing the cover towards the fixture and close it by pressing at the ends of the cover until the cover snaps into place and is flush with the fixture.
CAUTION: Ensure that the wires are not pinched or damaged by any part of the metal housing or clips.
NOTE: See Step 2 to re-access wiring compartment.
- Place connector cover over any connector not being used. (ref. FIG. 4)
- Turn on power.



See Page 2 for:

- Installation Instructions using Plug-In Cord
- Installation Instructions using Interconnect Cable
- Installation Instructions for Fixture to Fixture
- Installation Instructions for Replacing Power Supply

INSTALLATION INSTRUCTIONS USING PLUG-IN CORD

1. Hold the fixture in the desired mounting location, leaving approximately 2 ½" clearance for plug-in cord, and not more than 5' from the nearest outlet. Drive mounting screws into cabinet surface until fixture is secure. If screws are difficult to install, mark holes and drill 1/16" maximum pilot holes. (ref. FIG. 5) **NOTE:** For 22" and 30" fixtures, open wire compartment by inserting flathead screwdriver into the slots and wedging cover open to install center screw. Once installed, swing the cover towards the fixture and close it by pressing at the ends of the cover until the cover snaps into place and is flush with the fixture.
2. Connect cord into fixture female connector. **CAUTION:** Never connect the plug-in cord to a fixture or system that is already energized
3. Peel backing off retaining clip(s) and affix to desired location(s). Surface should be as clean as possible.
4. Slip cables into clip(s) and snap closed.
5. If this will be an end fixture in a run, use connector cover over any connector not being used.
6. Plug cord into outlet.

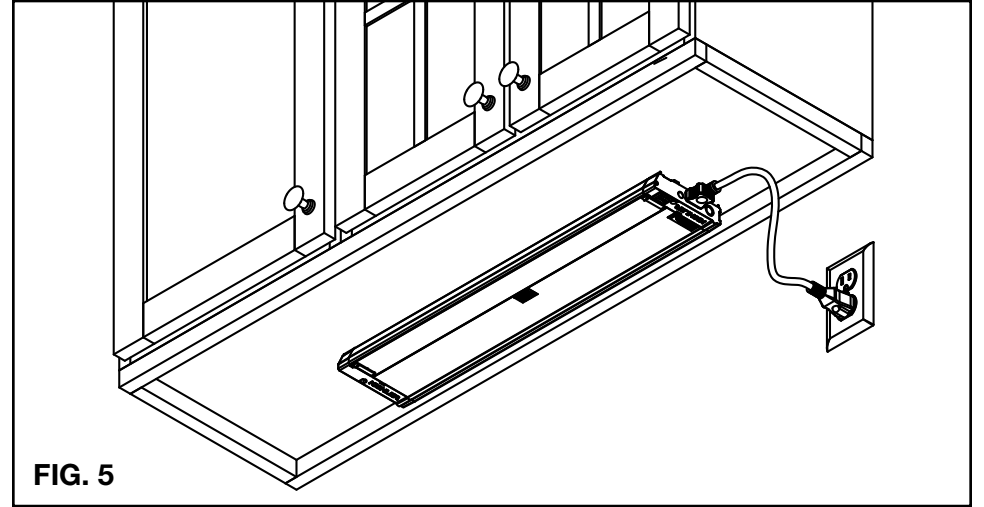


FIG. 5

INSTALLATION INSTRUCTIONS USING INTERCONNECT CABLE

1. Turn off power.
2. Hold the fixture in the desired mounting location, not more than 21" from nearest interconnected fixture, allowing approximately 2 ½" clearance for interconnect cables. Drive mounting screws into cabinet surface until fixture is secure. If screws are difficult to install, mark holes and drill 1/16" maximum pilot holes. (ref. FIG. 6) **NOTE:** For 22" and 30" fixtures, open wire compartment by inserting flathead screwdriver into the slots and wedging cover open to install center screw. Once installed, swing the cover towards the fixture and close it by pressing at the ends of the cover until the cover snaps into place and is flush with the fixture.
3. Connect fixture to existing Kichler Cabinet Lighting system using interconnect cable.
4. Hold interconnect cable to mounting surface and determine best path for cable. If interconnect cable is being run from cabinet to cabinet a notch such as a "V" could be cut in cabinet side panels to help keep cables out of site. **NOTE:** Interconnect cable is not intended for use through or concealed behind walls, floors or ceilings.
5. Peel backing off retaining clip(s) and affix to desired location(s). Surface should be as clean as possible.
6. Slip cables into clip(s) and snap closed.
7. If this will be an end fixture in a run, use connector cover over any connector not being used.
8. Turn on power.

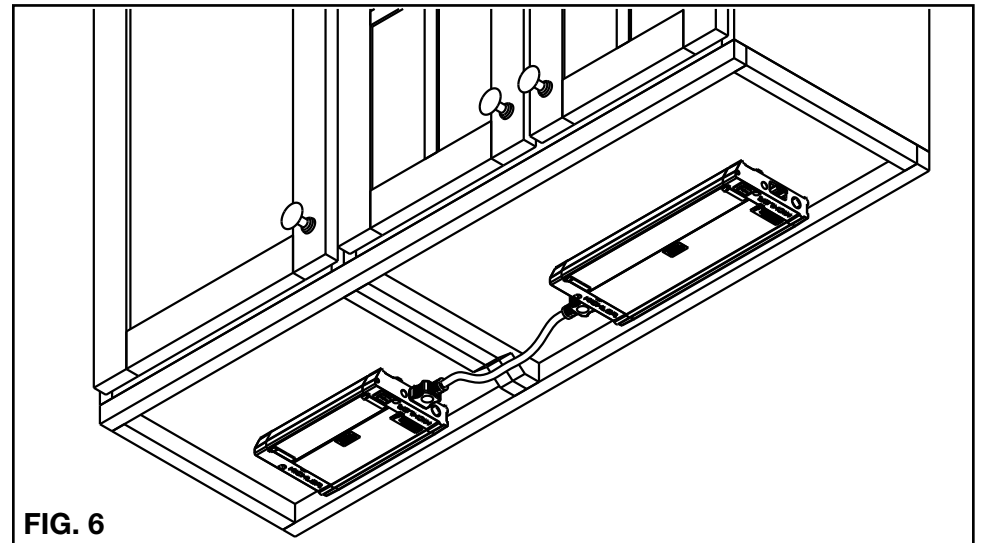


FIG. 6

INSTALLING FIXTURE TO FIXTURE

1. Turn off power.
2. Align connector on end of new fixture with connector on end of existing fixture.
3. Push new fixture to existing fixture until fixtures are flush and connectors snap together.
4. Drive mounting screws into cabinet surface until fixture is secure. If screws are difficult to install, mark holes, remove fixture and drill 1/16" maximum pilot holes. (ref. FIG.7) **NOTE:** For 22" and 30" fixtures, open wire compartment by inserting flathead screwdriver into the slots and wedging cover open to install center screw. Once installed, swing the cover towards the fixture and close it by pressing at the ends of the cover until the cover snaps into place and is flush with the fixture.
5. If this will be an end fixture in a run, use connector cover over any connector not being used.
6. Turn on power.

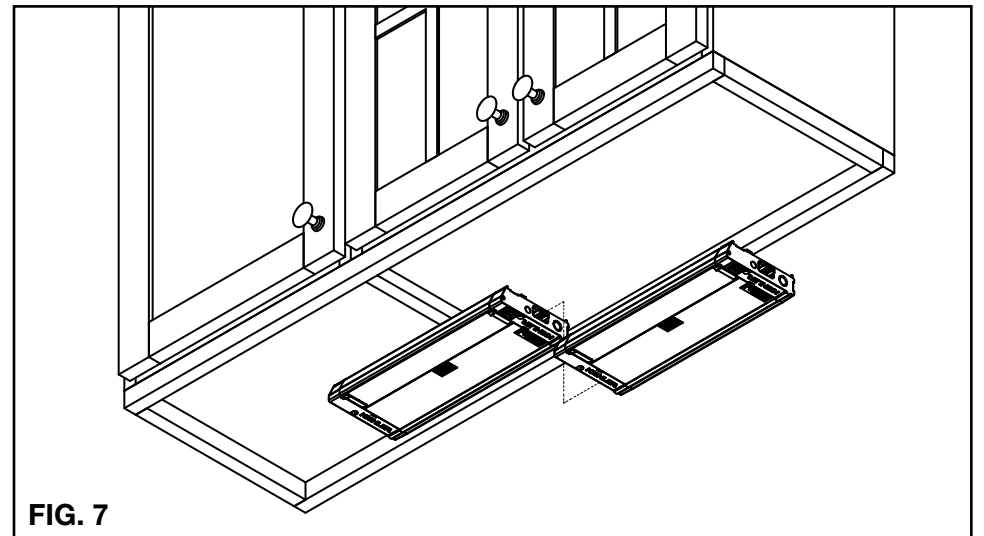


FIG. 7

INSTALLING REPLACEMENT POWER SUPPLY

1. Turn off power.
2. Open wiring compartment by inserting flathead screwdriver into the slots and wedging cover open. (ref. FIG. 8)
3. Identify the power supply leads and remove the corresponding wire nuts. Set aside.
4. Unscrew the wing nut to remove the power supply, setting wing nut aside. Remove and discard power supply.
5. Insert new power supply into place by wedging into open slot in housing and screwing the wing nut back into place.
6. Remake all wiring connections with wire nuts, using the guide below:
 - Green power supply wire to fixture Ground (green) wire
 - White power supply wire to fixture Neutral (white) wire
 - Black power supply wire to fixture Hot (black) wire from the On-Off switch
 - Red power supply wire to red fixture wiring
 - Blue power supply wire to blue fixture wiring

7. Neatly tuck wires away in housing. Swing the cover towards the fixture and close it by pressing at the ends of the cover until the cover snaps into place and is flush with the fixture. **CAUTION:** Ensure that the wires are not pinched or damaged by any part of the metal housing or clips.
8. Turn on power.

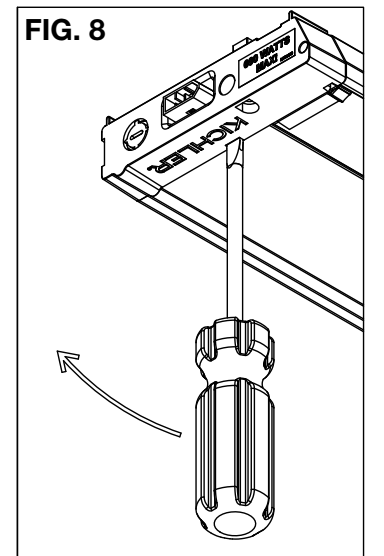


FIG. 8

See Page 1 for:

- Installation Instructions using Line Connection

**Kichler® LED Under-Cabinet
4U SERIES, CP301175
4U_K_____**

BEFORE INSTALLING:

1. All installations should comply with National and local electrical codes. If you have any doubts concerning installation contact a qualified, licensed electrician.
2. This fixture can only be used with Kichler Cabinet Lighting fixtures and accessories.
3. This fixture must be installed using interconnect cables 10571 (9"), 10572 (14"), 10573 (21"), connected to wire module 10570 or existing Kichler Cabinet Lighting fixture and can also be installed by directly connecting to another Kichler Cabinet Lighting fixture.
4. Mounting surface should be a minimum of 1/2" thick.
5. When using interconnect cables or connecting fixture to fixture, fixtures can have a maximum of 3 units in a single run.

Model Number	Voltage	Wattage	Power Supply Model
4U_K08____	120V	4W	4UT8LED15
4U_K12____	120V	5W	4UT12LED15
4U_K22____	120V	10W	4UT22LED15
4U_K30____	120V	14W	4UT30LED15

INSTRUCTIONS

For Assembling and Installing Fixtures in Canada
Pour L'assemblage et L'installation Au Canada

NOTE: Read all instructions thoroughly before starting installation.

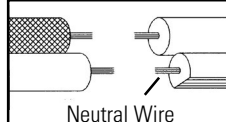
- CAUTION:** To reduce the risk of fire, electric shock, or injury to persons:
- a) Use only insulated staples or plastic ties to secure cords;
 - b) Route and secure cords so that they will not be pinched or damaged when the fixture is pushed to the wall;
 - c) Not intended for recessed installation in ceiling, or soffits;
 - d) Not intended for surface installation inside built-in furnishings such as kitchen cabinets, china cabinets, or trophy cases;
 - e) The National Electric Code (NEC) does not permit cords to be concealed where damage to insulation may go unnoticed. To prevent fire danger, do not run cord behind walls, ceilings, soffits, or cabinets where it may be inaccessible for examination. Cords should be visually examined periodically and immediately replaced when any damage is noted.

INSTALLATION INSTRUCTIONS USING LINE CONNECTION

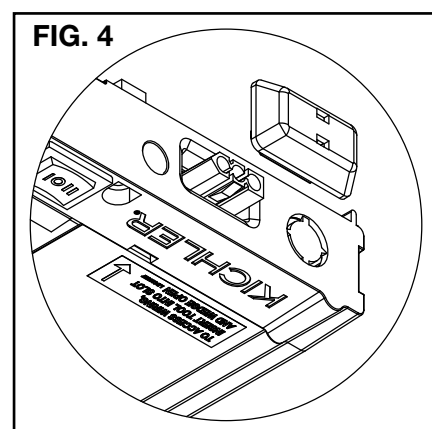
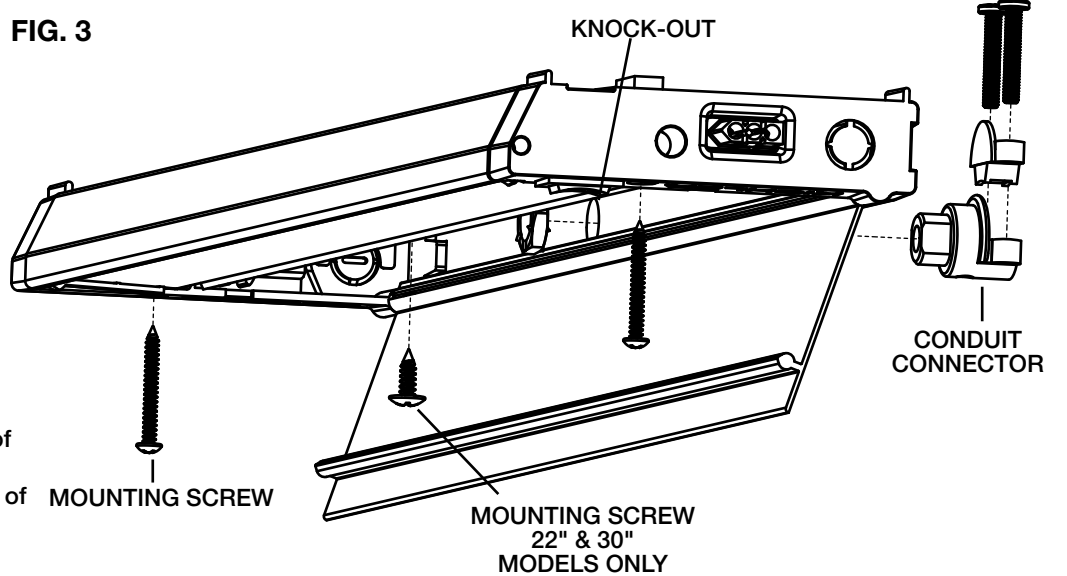
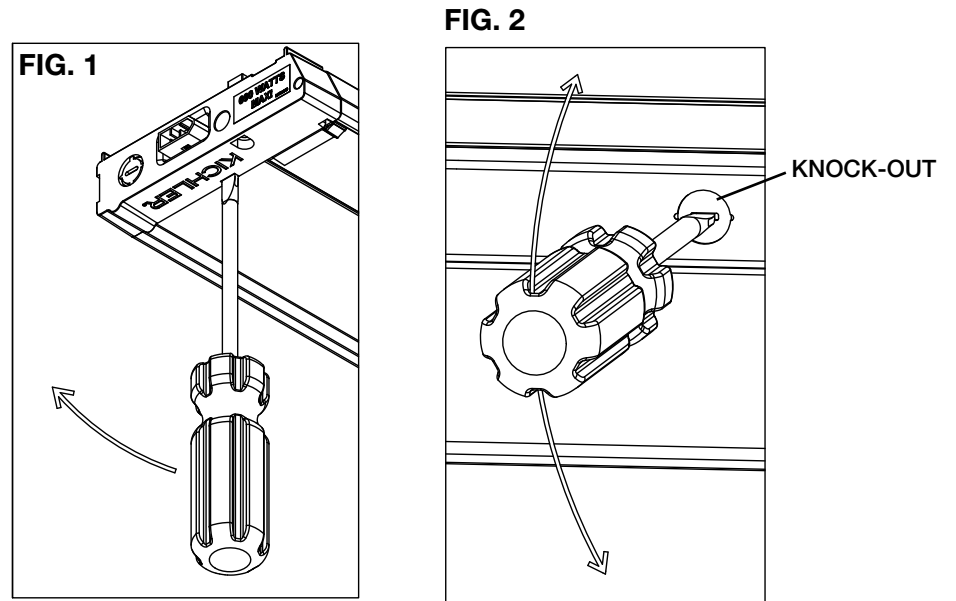
1. Turn off power.
2. Open wiring compartment by inserting flathead screwdriver into the slots and wedging cover open. (ref. FIG. 1)
3. Remove knock-out that allows for easiest access to conduit. Knock-out should be removed by inserting flat-headed screwdriver into the knock-out slot and rocking up and down until knock-out releases. (ref. FIG. 2)
4. Install conduit connector in knock-out hole on fixture housing.
5. Run wire through installed conduit connector ensuring that at least 3" of wire extend into the wiring compartment. The provided conduit connector may only be used with the following:
 - 14/2 to 10/2 steel armored cable;
 - 3/8" trade sized reduced wall flexible steel or aluminum conduit;
 - or
 - 14/2 to 10/2 non-metallic sheathed cable
6. Tighten screws on conduit connector to clamp wire into place.
7. Hold the fixture in the desired mounting location and drive mounting screws into cabinet surface until fixture is secure. If screws are difficult to install, mark holes and drill 1/16" maximum pilot holes. (ref. FIG. 3)
8. Make grounding connection (connector provided).
9. Make wire connections (connectors provided).

Connect Black or Red Supply Wire to:	Connect White Supply Wire to:
Black	White
*Parallel cord (round & smooth)	*Parallel cord (square & ridged)
Clear, Brown, Gold or Black without tracer	Clear, Brown, Gold or Black with tracer
Insulated wire (other than green) with copper conductor	Insulated wire (other than green) with silver conductor

*Note: When parallel wires (SPT I & SPT II) are used. The neutral wire is square shaped or ridged and the other wire will be round in shape or smooth (see illus.)



10. Swing the cover towards the fixture and close it by pressing at the ends of the cover until the cover snaps into place and is flush with the fixture.
CAUTION: Ensure that the wires are not pinched or damaged by any part of the metal housing or clips.
NOTE: See Step 2 to re-access wiring compartment.
11. Place connector cover over any connector not being used. (ref. FIG. 4)
12. Turn on power.



See Page 2 for:

- Installation Instructions using Plug-In Cord
- Installation Instructions using Interconnect Cable
- Installation Instructions for Fixture to Fixture
- Installation Instructions for Replacing Power Supply

INSTALLATION INSTRUCTIONS USING PLUG-IN CORD

1. Hold the fixture in the desired mounting location, leaving approximately 2 ½" clearance for plug-in cord, and not more than 5' from the nearest outlet. Drive mounting screws into cabinet surface until fixture is secure. If screws are difficult to install, mark holes and drill 1/16" maximum pilot holes. (ref. FIG. 5) **NOTE:** For 22" and 30" fixtures, open wire compartment by inserting flathead screwdriver into the slots and wedging cover open to install center screw. Once installed, swing the cover towards the fixture and close it by pressing at the ends of the cover until the cover snaps into place and is flush with the fixture.
2. Connect cord into fixture female connector. **CAUTION:** Never connect the plug-in cord to a fixture or system that is already energized
3. Peel backing off retaining clip(s) and affix to desired location(s). Surface should be as clean as possible.
4. Slip cables into clip(s) and snap closed.
5. If this will be an end fixture in a run, use connector cover over any connector not being used.
6. Plug cord into outlet.

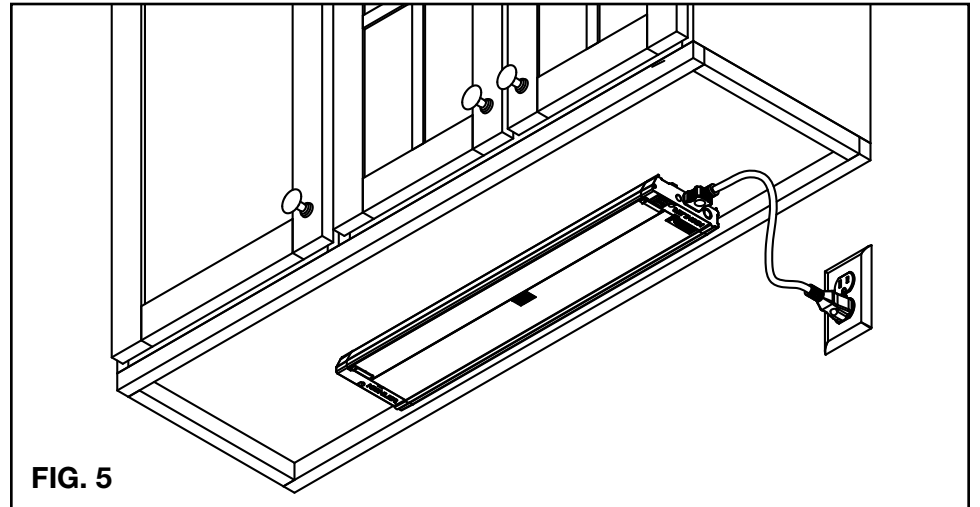


FIG. 5

INSTALLATION INSTRUCTIONS USING INTERCONNECT CABLE

1. Turn off power.
2. Hold the fixture in the desired mounting location, not more than 21" from nearest interconnected fixture, allowing approximately 2 ½" clearance for interconnect cables. Drive mounting screws into cabinet surface until fixture is secure. If screws are difficult to install, mark holes and drill 1/16" maximum pilot holes. (ref. FIG. 6) **NOTE:** For 22" and 30" fixtures, open wire compartment by inserting flathead screwdriver into the slots and wedging cover open to install center screw. Once installed, swing the cover towards the fixture and close it by pressing at the ends of the cover until the cover snaps into place and is flush with the fixture.
3. Connect fixture to existing Kichler Cabinet Lighting system using interconnect cable.
4. Hold interconnect cable to mounting surface and determine best path for cable. If interconnect cable is being run from cabinet to cabinet a notch such as a "V" could be cut in cabinet side panels to help keep cables out of site. **NOTE:** Interconnect cable is not intended for use through or concealed behind walls, floors or ceilings.
5. Peel backing off retaining clip(s) and affix to desired location(s). Surface should be as clean as possible.
6. Slip cables into clip(s) and snap closed.
7. If this will be an end fixture in a run, use connector cover over any connector not being used.
8. Turn on power.

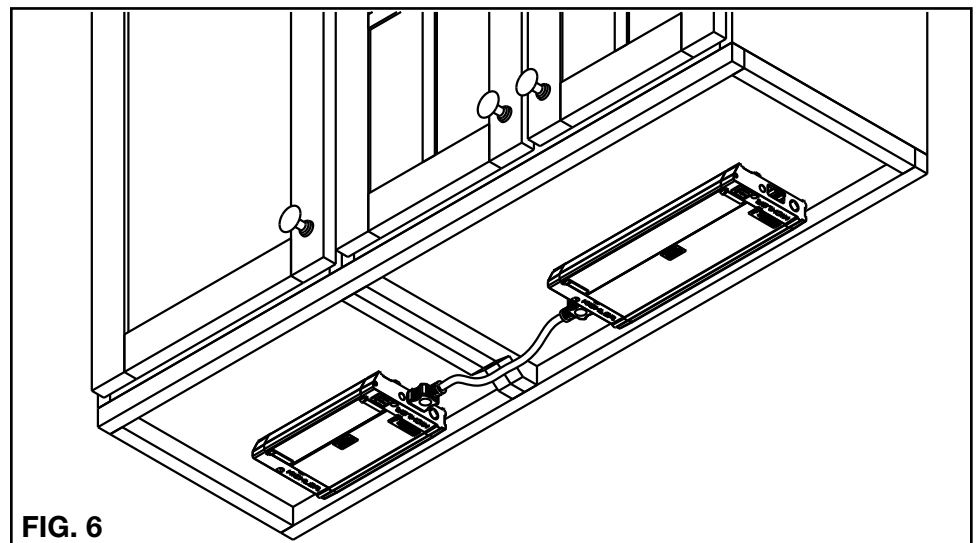


FIG. 6

INSTALLING FIXTURE TO FIXTURE

1. Turn off power.
2. Align connector on end of new fixture with connector on end of existing fixture.
3. Push new fixture to existing fixture until fixtures are flush and connectors snap together.
4. Drive mounting screws into cabinet surface until fixture is secure. If screws are difficult to install, mark holes, remove fixture and drill 1/16" maximum pilot holes. (ref. FIG.7) **NOTE:** For 22" and 30" fixtures, open wire compartment by inserting flathead screwdriver into the slots and wedging cover open to install center screw. Once installed, swing the cover towards the fixture and close it by pressing at the ends of the cover until the cover snaps into place and is flush with the fixture.
5. If this will be an end fixture in a run, use connector cover over any connector not being used.
6. Turn on power.

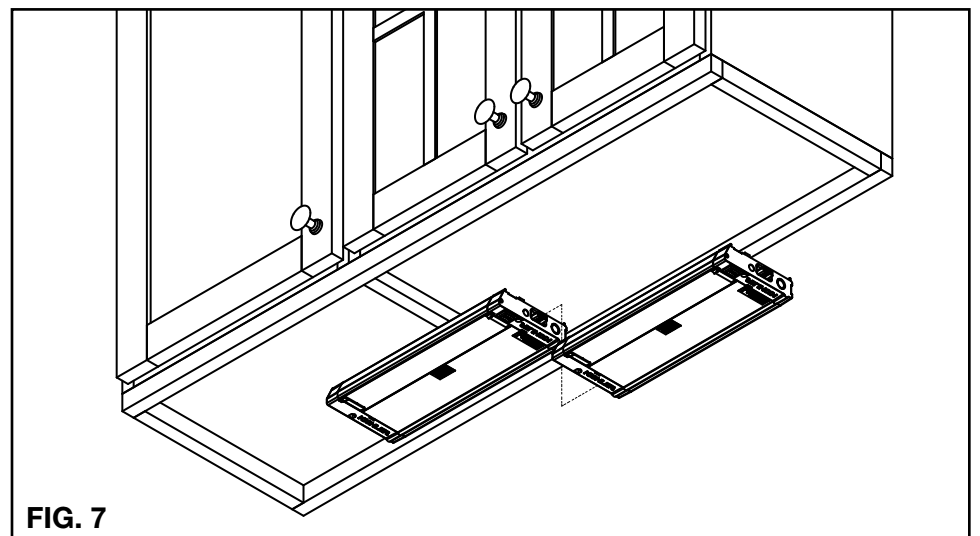


FIG. 7

INSTALLING REPLACEMENT POWER SUPPLY

1. Turn off power.
2. Open wiring compartment by inserting flathead screwdriver into the slots and wedging cover open. (ref. FIG. 8)
3. Identify the power supply leads and remove the corresponding wire nuts. Set aside.
4. Unscrew the wing nut to remove the power supply, setting wing nut aside. Remove and discard power supply.
5. Insert new power supply into place by wedging into open slot in housing and screwing the wing nut back into place.
6. Remake all wiring connections with wire nuts, using the guide below:
 - Green power supply wire to fixture Ground (green) wire
 - White power supply wire to fixture Neutral (white) wire
 - Black power supply wire to fixture Hot (black) wire from the On-Off switch
 - Red power supply wire to red fixture wiring
 - Blue power supply wire to blue fixture wiring

7. Neatly tuck wires away in housing. Swing the cover towards the fixture and close it by pressing at the ends of the cover until the cover snaps into place and is flush with the fixture. **CAUTION:** Ensure that the wires are not pinched or damaged by any part of the metal housing or clips.
8. Turn on power.

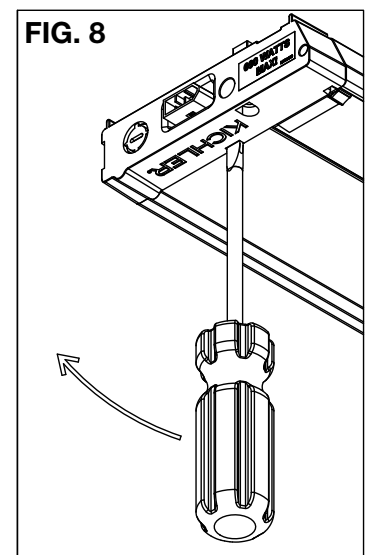


FIG. 8

See Page 1 for:

- Installation Instructions using Line Connection

LED Kichler® pour dessous d'armoire SÉRIE 4U, CP301175 4U_K_ _ _ _

AVANT DE PROCÉDER À L'INSTALLATION:

1. Toutes les installations doivent être conformes aux codes électriques nationaux et locaux. En cas de doute concernant l'installation, contacter un électricien qualifié.
2. Ce luminaire peut être utilisé uniquement avec les luminaires et les accessoires pour l'éclairage pour armoire Kichler.
3. Ce luminaire doit être installé à l'aide de câbles d'interconnexion 10571 (9 po), 10572 (14 po), 10573 (21 po), connectés au module des câblages 10570 ou au luminaire d'éclairage pour armoire Kichler existant et peut également être installé en le connectant directement à un autre luminaire d'éclairage pour armoire Kichler.
4. L'épaisseur de la surface de montage doit être de 1,7 cm minimum.
5. Lors de l'utilisation des câbles d'interconnexion ou de raccordement entre luminaires, les luminaires peuvent avoir un maximum de 3 unités dans une interconnexion.

Numéro de modèle	Voltage	Wattage	Modèle de Bloc D'alimentation
4U_K08_ _ _	120V	4W	4UT8LED15
4U_K12_ _ _	120V	5W	4UT12LED15
4U_K22_ _ _	120V	10W	4UT22LED15
4U_K30_ _ _	120V	14W	4UT30LED15

INSTRUCTIONS

For Assembling and Installing Fixtures in Canada
Pour L'assemblage et L'installation Au Canada

REMARQUE: Prière de lire attentivement toutes les instructions avant de procéder à l'installation.

ATTENTION: Pour réduire le risque d'incendie, de choc électrique ou de blessure:

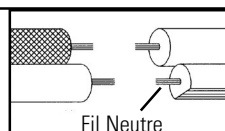
- a) Utiliser uniquement des agrafes isolés ou des attaches en plastique pour sécuriser les cordons;
- b) Acheminer et sécuriser les cordons de manière à ce qu'ils ne soient pas pincés ni endommagés lorsque le luminaire est poussé contre le mur;
- c) Non destiné à une installation encastrée dans le plafond, ou dans les sous-faces;
- d) Non destiné à l'installation sur la surface à l'intérieur de ameublements intégrés, tels que les armoires de cuisine, des vaisseliers, ou des présentoirs à trophées;
- e) Le Code national de l'électricité (NEC) ne permet pas que les cordons soient dissimulés sous risque que les dommages à l'isolation passent inaperçus. Pour éviter le danger d'incendie, ne pas acheminer le cordon derrière les murs, les plafonds, les sous-faces, ou des armoires où il pourrait ne pas être accessible pour inspection. Les cordons doivent être examinés visuellement régulièrement et remplacés immédiatement si des dommages sont constatés.

INSTRUCTIONS D'INSTALLATION AVEC LE RACCORDEMENT AU SECTEUR

1. Couper le courant.
2. Ouvrir le compartiment de câblage en insérant un tournevis à tête plate dans les fentes et en dégageant le couvercle (voir FIG. 1).
3. Retirer la partie défonçable pour accéder plus facilement à la conduite. La partie défonçable doit être retirée en insérant un tournevis à tête plate dans la fente de la partie défonçable et basculant de haut en bas jusqu'à ce que la partie défonçable soit éjectée (voir FIG. 2)
4. Installer le connecteur de conduit dans le trou de la partie défonçable sur le boîtier du luminaire.
5. Acheminer le fil par le connecteur du conduit installé en veillant à ce qu'au moins 3 po de fil se trouvent dans le compartiment de câblage. Le connecteur de conduit fourni peut être utilisé uniquement avec les éléments suivants:
 - Câble blindé en acier de 14/2 à 10/2;
 - Conduit commercial en aluminium ou en acier flexible pour mur à calibre réduit de 3/8 po;
 ou
 - Câble sous gaine non métallique de 14/2 à 10/2.
6. Serrer les vis sur le raccord de conduit pour fixer le fil.
7. Placer le luminaire à l'endroit souhaité pour l'installation et serrer les vis de montage dans la surface de l'armoire jusqu'à ce que le luminaire soit bloqué. Si les vis sont difficiles à installer, marquer des repères pour les trous et percer des trous pilotes de 1/16 po maximum (voir FIG. 3).
8. Effectuer les raccordements à la masse (connecteurs fournis).
9. Raccorder les fils (connecteurs fournis).

Connecter le fil noir ou rouge de la boîte	Connecter le fil blanc de la boîte
A Noir	A Blanc
*Au cordon parallèle (rond et lisse)	*Au cordon parallèle (à angles droits et strié)
Au transparent, doré, marron, ou noir sans fil distinctif	Au transparent, doré, marron, ou noir avec un fil distinctif
Fil isolé (sauf fil vert) avec conducteur en cuivre	Fil isolé (sauf fil vert) avec conducteur en argent

*Remarque: Avec emploi d'un fil parallèle (SPT I et SPT II). Le fil neutre est à angles droits ou strié et l'autre fil doit être rond ou lisse (Voir le schéma).



10. Ouvrir le diffuseur en verre en appuyant sur la languette de chaque embout diffuseur. Soulever et glisser le diffuseur vers l'arrière du luminaire. Retirer le(s) manchon(s) protecteur(s) des ampoules.
11. Fermer le diffuseur en verre en déplaçant le bord avec des languettes vers les luminaires jusqu'à ce que les chevilles près des onglets glissent dans les fentes à l'avant des embouts de luminaire. Déplacer les languettes en les glissant vers l'avant, pour permettre aux chevilles de se loger dans les fentes. La lentille doit être de niveau et aligner au luminaire.
12. Faire pivoter le couvercle vers le luminaire et le fermer en appuyant sur les

extrémités du couvercle jusqu'à ce qu'il s'enclenche en place et soit aligné avec le luminaire.

ATTENTION: S'assurer que les fils ne sont pas pincés ni endommagés par des pièces du boîtier métallique ou les attaches.

REMARQUE: Voir l'étape 2 pour accéder au nouveau compartiment de câblage.

13. Placer le couvercle des connecteurs sur les connecteurs qui ne sont pas utilisés (voir FIG. 4).
14. Remettre le courant.

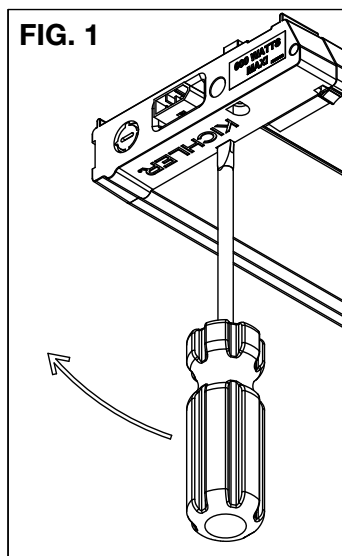
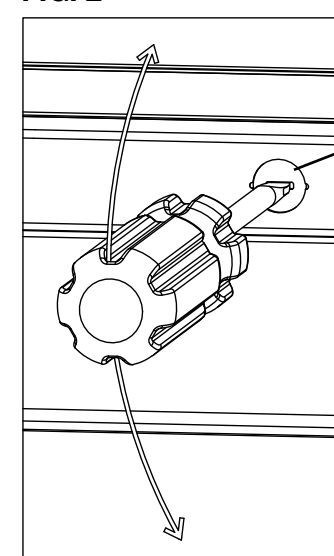
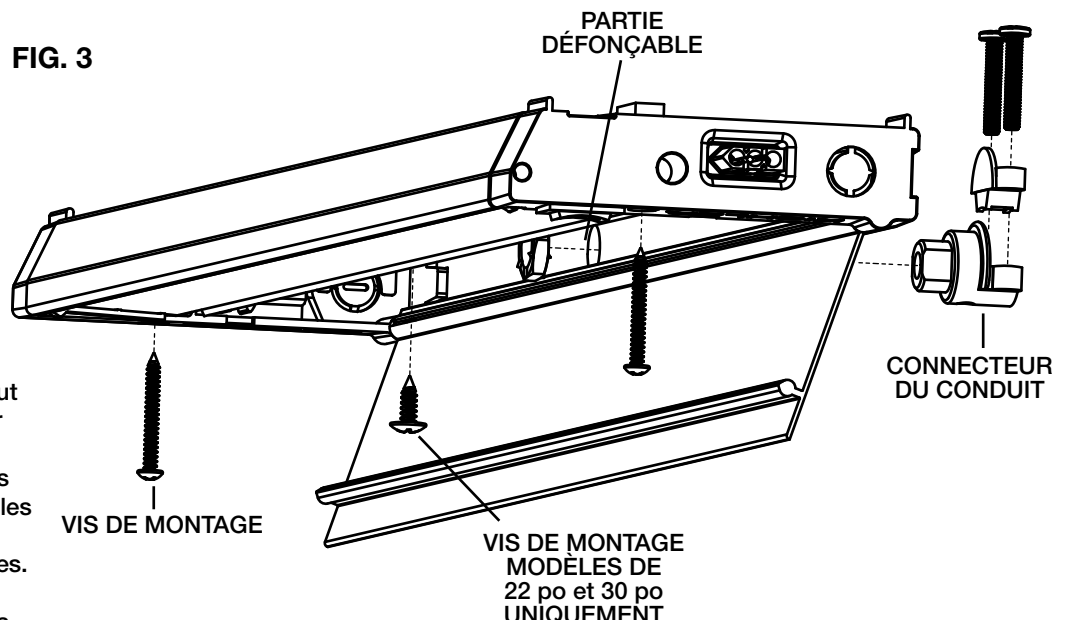


FIG. 2



PARTIE DÉFONÇABLE

FIG. 3

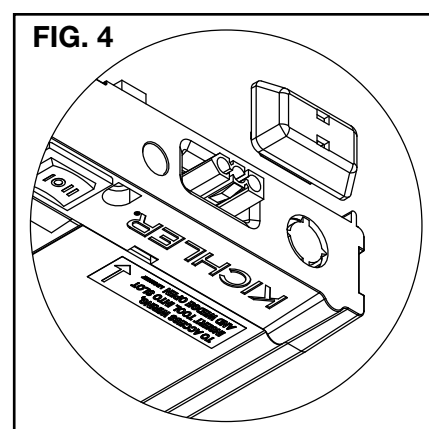


VIS DE MONTAGE

VIS DE MONTAGE
MODÈLES DE
22 po et 30 po
UNIQUEMENT

CONNECTEUR
DU CONDUIT

FIG. 4



Voir les pages 2 pour:

- Instructions d'installation à l'aide d'un cordon enfichable
- Instructions d'installation à l'aide d'un câble d'interconnexion
- Instructions d'installation pour un luminaire sur un luminaire
- Instructions d'installation du bloc d'alimentation de rechange

INSTRUCTIONS D'INSTALLATION À L'AIDE D'UN CORDON ENFICHABLE

- Maintenir le luminaire à l'emplacement de montage souhaité, laissant un jeu d'environ 2 ½ po pour le cordon enfichable, et pas plus de 5 pieds de la prise la plus proche. Serrer les vis de montage dans la surface de l'armoire jusqu'à ce que le luminaire soit sécurisé. Si les vis sont difficiles à installer, marquer des repères pour les trous et percer des trous pilotes de 1/16 po maximum (réf. Fig. 5). **REMARQUE:** Pour les luminaires de 22 et 30 po, ouvrir le compartiment de câblage en insérant un tournevis à tête plate dans les fentes et dégager le couvercle pour installer la vis centrale. Une fois installée, faire pivoter le couvercle vers le luminaire et le fermer en appuyant sur les extrémités du couvercle jusqu'à ce qu'il s'enclenche en place et soit aligné avec le luminaire.
- Brancher le cordon dans le connecteur femelle du luminaire. **ATTENTION:** Ne jamais raccorder le cordon enfichable à un luminaire ou un système qui est déjà sous tension.
- Retirer la pellicule de(s) clip(s) de retenue et l'apposer à l'emplacement souhaité. La surface doit être la plus propre possible.
- Glisser les câbles dans le(s) clip(s) et les enclencher pour les fermer.
- Ouvrir le diffuseur en verre en appuyant sur la languette de chaque embout diffuseur. Soulever et glisser le diffuseur vers l'arrière du luminaire. Retirer le(s) manchon(s) protecteur(s) à partir de ou des ampoules.
- Fermer le diffuseur en verre en déplaçant le bord avec des languettes vers les luminaires jusqu'à ce que les chevilles près des onglets glissent dans les fentes à l'avant des embouts de luminaire. Déplacer les languettes en les

- glissant vers l'avant, pour permettre aux chevilles de se loger dans les fentes. La lentille doit être de niveau et aligner au luminaire.
- S'il s'agit d'un luminaire d'extrémité dans un acheminement, utiliser le couvercle du connecteur sur les connecteurs qui ne sont pas utilisés.
 - Brancher le cordon dans la prise.

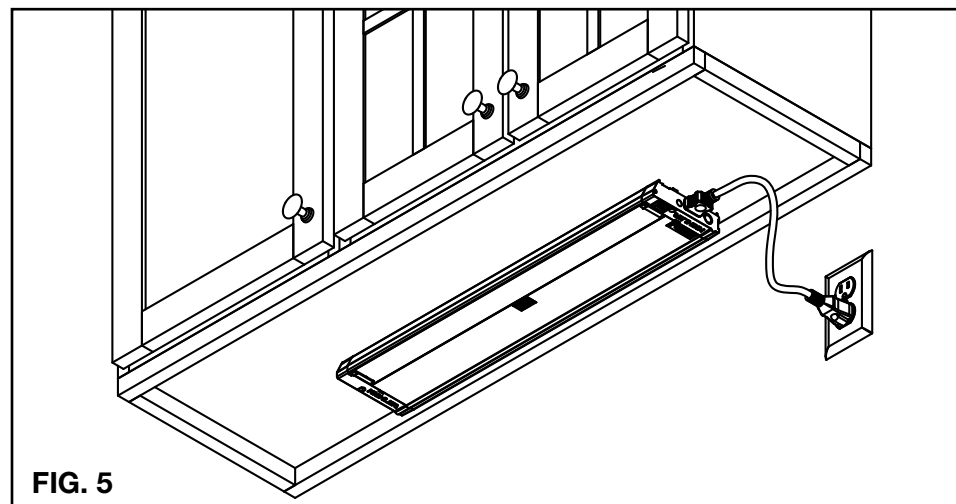


FIG. 5

INSTRUCTIONS D'INSTALLATION À L'AIDE D'UN CÂBLE D'INTERCONNEXION

- Couper le courant.
- Maintenir le luminaire à l'emplacement de montage souhaité, pas plus de 21 po du luminaire interconnecté le plus proche, permettant un intervalle d'environ 2 ½ po pour les câbles d'interconnexion. Serrer les vis de montage dans la surface de l'armoire jusqu'à ce que le luminaire soit sécurisé. Si les vis sont difficiles à installer, marquer des repères pour les trous et percer des trous pilotes de 1/16 po maximum (voir FIG. 6). **REMARQUE:** Pour les luminaires de 22 et 30 po, ouvrir le compartiment de câblage en insérant un tournevis à tête plate dans les fentes et dégager le couvercle pour installer la vis centrale. Une fois installée, faire pivoter le couvercle vers le luminaire et le fermer en appuyant sur les extrémités du couvercle jusqu'à ce qu'il s'enclenche en place et soit aligné avec le luminaire.
- Connecter le luminaire à un système d'éclairage Kichler pour armoire avec un câble d'interconnexion.
- Tenir le câble d'interconnexion sur la surface de montage et déterminer le meilleur passage pour le câble. Si le câble d'interconnexion est acheminé entre des armoires, une encoche, telle qu'un V, peut être découpé dans les panneaux latéraux de l'armoire pour maintenir les câbles hors de la vue. **REMARQUE:** Le câble d'interconnexion ne doit pas être utilisé à travers ou derrière des parois, sols ou plafonds.
- Retirer la pellicule de(s) clip(s) de retenue et l'apposer à l'emplacement souhaité. La surface doit être aussi propre que possible.
- Glisser les câbles dans le(s) clip(s) et les enclencher pour les fermer.
- Ouvrir le diffuseur en verre en appuyant sur la languette de chaque embout diffuseur. Soulever et glisser le diffuseur vers l'arrière du luminaire. Retirer le(s) manchon(s) protecteur(s) à partir de ou des ampoules.

- Fermer le diffuseur en verre en déplaçant le bord avec des languettes vers les luminaires jusqu'à ce que les chevilles près des onglets glissent dans les fentes à l'avant des embouts de luminaire. Déplacer les languettes en les glissant vers l'avant, pour permettre aux chevilles de se loger dans les fentes. La lentille doit être de niveau et aligner au luminaire.
- S'il s'agit d'un luminaire d'extrémité dans un acheminement, utiliser le couvercle du connecteur sur les connecteurs qui ne sont pas utilisés.
- Remettre le courant.

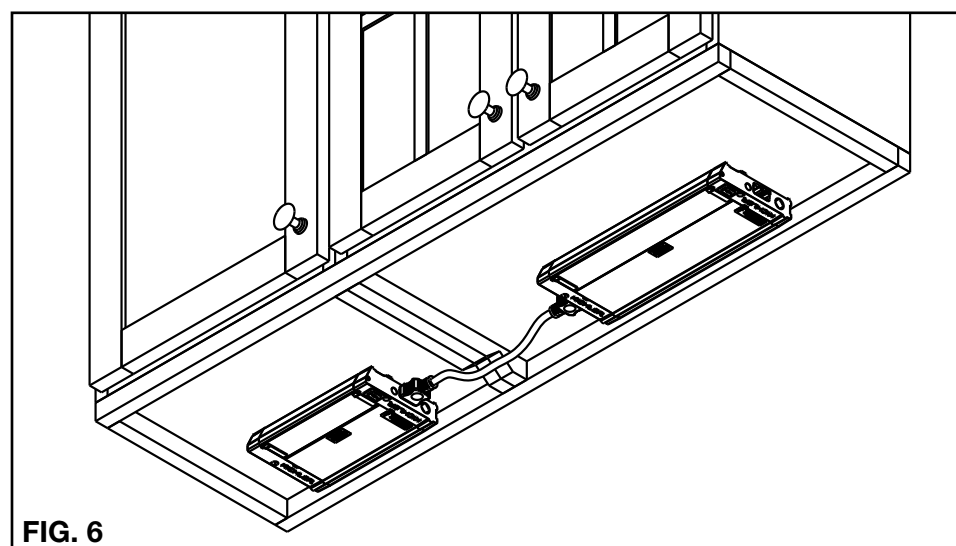


FIG. 6

INSTALLATION D'UN LUMINAIRE SUR UN LUMINAIRE

- Couper le courant.
- Aligner le connecteur à l'extrémité du nouveau luminaire avec un connecteur à l'extrémité du luminaire existant. (voir FIG. 7)
- Pousser le nouveau luminaire vers le luminaire existant jusqu'à ce que les luminaires soient au même niveau et que les connecteurs s'enclenchent.
- Serrer les vis de montage dans la surface de l'armoire jusqu'à ce que le luminaire soit sécurisé. Si les vis sont difficiles à installer, marquer des repères pour les trous, retirer le luminaire et percer des trous pilotes de 1/16 po maximum. **REMARQUE:** Pour les luminaires de 22 et 30 po, ouvrir le compartiment de câblage en insérant un tournevis à tête plate dans les fentes et dégager le couvercle pour installer la vis centrale. Une fois installée, faire pivoter le couvercle vers le luminaire et le fermer en appuyant sur les extrémités du couvercle jusqu'à ce qu'il s'enclenche en place et soit aligné avec le luminaire.
- Ouvrir le diffuseur en verre en appuyant sur la languette de chaque embout diffuseur. Soulever et glisser le diffuseur vers l'arrière du luminaire. Retirer le(s) manchon(s) protecteur(s) à partir de ou des ampoules.
- Fermer le diffuseur en verre en déplaçant le bord avec des languettes vers les appareils jusqu'à ce que les chevilles près des onglets glissent dans les fentes à l'avant des embouts de fixation. Déplacer les languettes en les glissant vers l'avant, pour permettre aux chevilles de se loger dans les fentes. La lentille doit être de niveau et aligner au luminaire.

- S'il s'agit d'un luminaire d'extrémité dans un acheminement, utiliser le couvercle du connecteur sur les connecteurs qui ne sont pas utilisés.
- Remettre le courant.

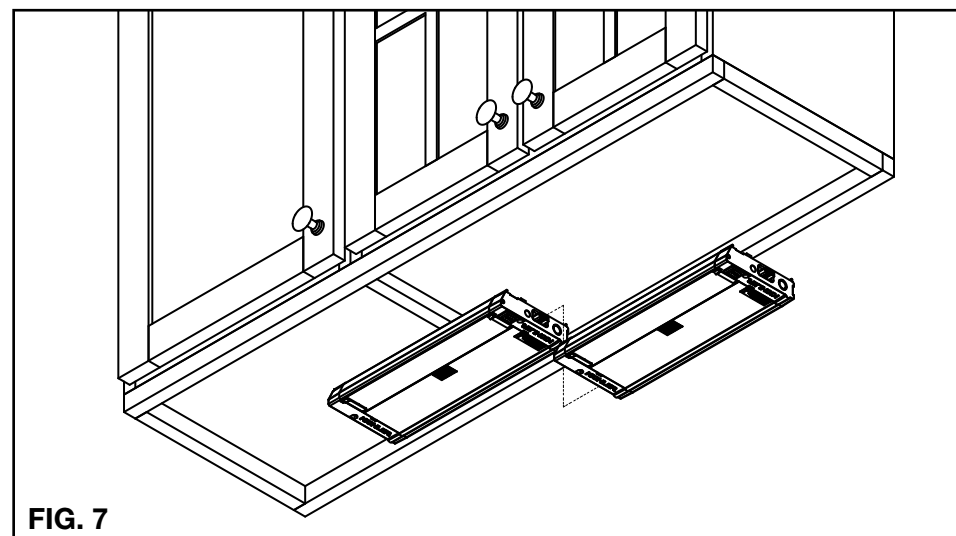


FIG. 7

INSTALLATION DU BLOC D'ALIMENTATION DE RECHANGE

- Couper le courant.
- Ouvrir le compartiment de câblage en insérant un tournevis à tête plate dans les fentes et en dégageant le couvercle (voir FIG. 8)
- Identifier les fils d'alimentation et retirer les écrous correspondants. Mettre de côté.
- Dévisser l'écrou à ailettes pour enlever le bloc d'alimentation, et mettre l'écrou à ailette de côté. Enlever et jeter le bloc d'alimentation.
- Insérer le nouveau bloc d'alimentation en le coinçant dans la fente ouverte du logement et en vissant l'écrou à ailettes pour fixer.
- Refaire toutes les connexions avec des écrous en procédant comme suit:

- Fil d'alimentation vert au fil de terre (vert) du luminaire
- Fil d'alimentation blanc au fil neutre (blanc) du luminaire
- Fil d'alimentation noir au fil sous tension (noir) du luminaire de l'interrupteur de marche-arrêt
- Fils d'alimentation rouges au câblage (rouge) du luminaire
- Fil d'alimentation bleu au fil bleu du luminaire

- Placer soigneusement les fils dans le logement. Faire pivoter le couvercle vers le luminaire et le fermer en appuyant sur les extrémités du couvercle jusqu'à ce qu'il s'enclenche en place et soit aligné avec le luminaire. **ATTENTION:** S'assurer que les fils ne sont pas pincés ni endommagés par des pièces du boîtier métallique ou les attaches.
- Remettre le courant.

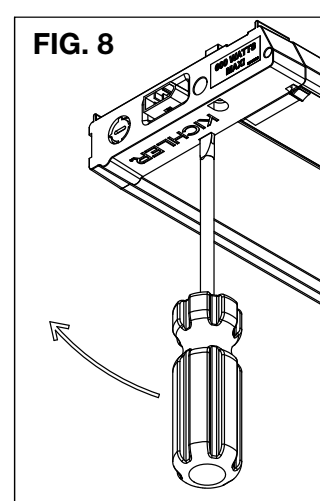


FIG. 8

Voir les pages 1 pour:

- Instructions d'installation à l'aide d'un raccordement de ligne

KDebajo del gabinete Kichler® LED SERIE 4U, CP301175 4U_K_ _ _ _

ANTES DE INSTALAR:

1. Todas las instalaciones deberán cumplir con el código de electricidad local y nacional. Si usted tiene dudas relacionadas con la instalación, consulte a un electricista calificado con licencia.
2. Este artefacto solo puede ser usado con los artefactos y accesorios de iluminación de gabinetes de Kichler.
3. Este artefacto debe ser instalado utilizando los cables de interconexión 10571 (9"), 10572 (14"), 10573 (21"), conectados al módulo de cables 10570 o al artefacto existente de iluminación de gabinetes de Kichler, y también puede ser instalado mediante conexión directa con otro artefacto de iluminación de gabinetes de Kichler.
4. La superficie de montaje deberá tener un espesor mínimo de 1/2".
5. Cuando se utilizan cables de interconexión o se conecta de artefacto a artefacto, los artefactos pueden tener un máximo de 3 unidades en una sola corrida.

Número de modelo	Voltaje	Vatio	Modelo de Suministro de Energía
4U_K08_ _ _	120V	4W	4UT8LED15
4U_K12_ _ _	120V	5W	4UT12LED15
4U_K22_ _ _	120V	10W	4UT22LED15
4U_K30_ _ _	120V	14W	4UT30LED15

NOTA: Lea detenidamente todas las instrucciones antes de iniciar la instalación.

PRECAUCIÓN: Para reducir el riesgo de incendio, choque eléctrico o lesiones a las personas:

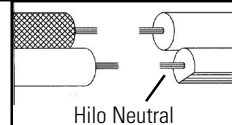
- a) Utilice únicamente grapas aisladas o sujetadores de plástico para asegurar los cables;
- b) Dirija y asegure los cables de tal manera que no serán pellizcados o dañados cuando el artefacto sea empujado hacia la pared;
- c) No está diseñado para instalación empotrada en el techo o plafones;
- d) No está diseñado para instalación superficial en el interior de mobiliario integrado tal como gabinetes de cocina, gabinetes de vajillas, o aparadores de trofeos;
- e) El Código Nacional de Electricidad (NEC, por sus siglas en inglés) no permite que los cables sean escondidos donde los daños al aislamiento podrán pasar inadvertidos. Para evitar el peligro de incendio, no pase los cables detrás de las paredes, techos, plafones o gabinetes donde podrán ser inaccesibles para ser examinados. Los cables deberán ser examinados periódicamente en forma visual y reemplazados inmediatamente cuando sea observado cualquier daño.

INSTRUCCIONES DE INSTALACIÓN UTILIZANDO LA CONEXIÓN DE LÍNEA

1. Apague la energía eléctrica.
2. Abra el compartimento de cableado mediante la inserción de un desarmador de cabeza plana dentro de las ranuras y haciendo palanca sobre la cubierta para abrirla. (ref. FIG. 1)
3. Remueva la muesca que permite acceso fácil al tubo tipo conduit. La muesca deberá removerse mediante la inserción de un desarmador de cabeza plana dentro de la ranura y moviéndolo hacia arriba y hacia abajo hasta que la muesca se libere. (ref. FIG. 2)
4. Instale el conector de tubo tipo conduit en el agujero de la muesca en la cubierta del artefacto.
5. Corra el cable a través del conector de tubo tipo conduit instalado asegurando que por lo menos 3" de cable se extiendan dentro del compartimento de cableado. El conector de tubo tipo conduit proporcionado podrá utilizarse únicamente con lo siguiente:
 - cable blindado de acero de 14/2 hasta 10/2;
 - tubo tipo conduit flexible de acero o aluminio de pared de tamaño comercial reducido de 3/8"; o
 - cable con forro no metálico de 14/2 hasta 10/2
6. Apriete los tornillos sobre el conector de tubo tipo conduit para sujetar el cable en su lugar.
7. Sostenga el artefacto en la ubicación de montaje deseada y atornille los tornillos de montaje dentro de la superficie del gabinete hasta que el artefacto esté seguro. Si los tornillos son difíciles de instalar, marque los agujeros y perforo agujeros piloto de 1/16" máximo. (ref. FIG. 3)
8. Haga la conexión a tierra (se proporciona conector).

Conectar el alambre de suministro negro o rojo al	Conectar el alambre de suministro blanco al
Negro	Blanco
*Cordon paralelo (redondo y liso)	*Cordon paralelo (cuadrado y estriado)
Claro, marrón, amarillo o negro sin hebra identificadora	Claro, marrón, amarillo o negro con hebra identificadora
Alambre aislado (diferente del verde) con conductor de cobre	Alambre aislado (diferente del verde) con conductor de plata

*Nota: Cuando se utiliza alambre paralelo (SPT I y SPT II). El alambre neutro es de forma cuadrada o estriada y el otro alambre será de forma redonda o lisa. (Vea la ilustración).



9. Haga las conexiones de los cables (se proporcionan los conectores).
10. Abra el difusor de vidrio por medio de la presión en la pestaña de la tapa del extremo de cada difusor. Eleve y deslice el difusor hacia la parte trasera del artefacto. Remueva la(s) camisa(s) de protección de los focos o bombillas.
11. Cierre el difusor de vidrio mediante el movimiento de columpio del borde con las pestañas hacia arriba hacia el artefacto hasta que las espigas de las pestañas se deslicen dentro de las ranuras en el frente de las tapas de extremos del artefacto. Deslice las pestañas hacia adelante, permitiendo que las espigas se asienten en las ranuras. Los lentes deberán estar nivelados y al ras con el artefacto.

Vea la Página 2 para:

- Instrucciones de instalación utilizando cable enchufable
- Instrucciones de instalación utilizando cable de interconexión
- Instrucciones de instalación de artefacto a artefacto
- Instrucciones de instalación del suministro de energía de reemplazo

12. Mueva la cubierta hacia el artefacto y ciérrela mediante la presión en los extremos de la cubierta hasta que la cubierta encaje en su lugar y esté al ras con el artefacto. **PRECAUCIÓN:** Asegure que los cables no estén pellizcados o dañados por cualquier parte de la cubierta metálica o los sujetadores.
13. Coloque la cubierta del conector sobre cualquier conector que no esté siendo utilizado. (ref. FIG. 4)
14. Encienda la energía eléctrica.

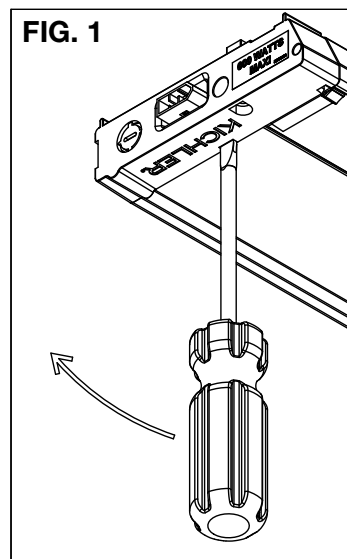


FIG. 2

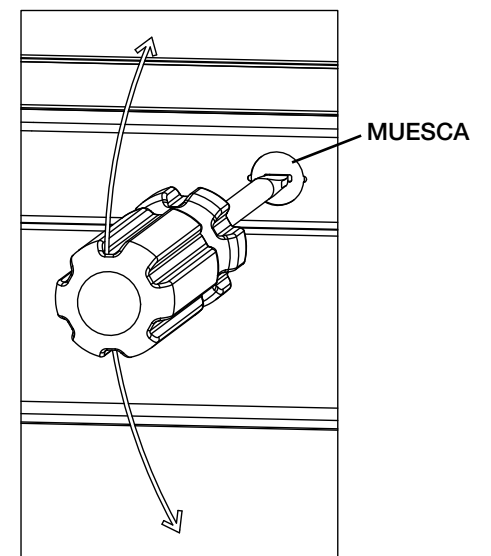


FIG. 3

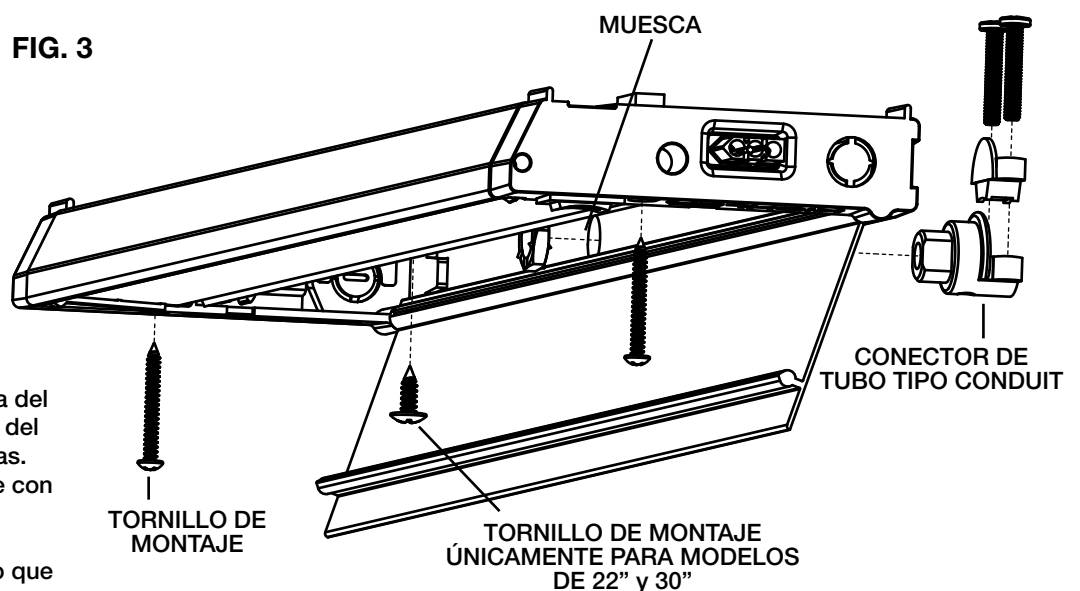
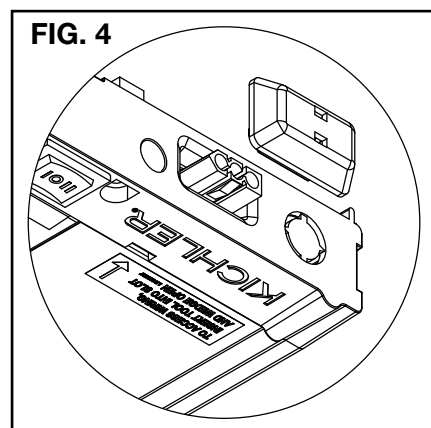


FIG. 4



INSTRUCCIONES DE INSTALACIÓN UTILIZANDO EL CABLE ENCHUFABLE

1. Sostenga el artefacto en la ubicación deseada de montaje, dejando un espacio libre de 2 ½" aproximadamente para el cable enchufable, y una distancia no mayor a 5' del enchufe más cercano. Coloque los tornillos de montaje dentro de la superficie del gabinete hasta que el artefacto esté seguro. Si los tornillos son difíciles de instalar, marque los agujeros y perforo agujeros piloto de 1/16" máximo. (ref. FIG. 5)
NOTA: Para artefactos de 22" y 30", abra el compartimento de cableado mediante la inserción de un desarmador de cabeza plana dentro de las ranuras y haga palanca en la cubierta para abrirla para instalar el tornillo central. Una vez instalado, mueva la cubierta hacia el artefacto y ciérrela por medio de la presión en los extremos de la cubierta hasta que la cubierta se encaje en su lugar y esté al ras con el artefacto.
2. Conecte el cable dentro del conector hembra del artefacto.
PRECAUCIÓN: Nunca conecte el cable enchufable a un artefacto o sistema que ya esté energizado.
3. Pele la parte trasera del sujetador(es) de retención y colóquelo en la ubicación deseada. La superficie deberá estar lo más limpia posible.
4. Deslice los cables dentro del sujetador y encájelos para que cierren.
5. Abra el difusor de vidrio presionando la pestaña de cada tapa del extremo del difusor. Eleve y deslice el difusor hacia la parte trasera del artefacto. Remueva la cubierta de protección de los focos o bombillas.
6. Cierre el difusor de vidrio mediante el movimiento de columpio del borde con las pestañas hacia arriba hacia el artefacto hasta que las espigas de las pestañas se deslicen dentro de las ranuras en el frente de las tapas de

- extremos del artefacto. Deslice las pestañas hacia adelante, permitiendo que las espigas se asienten en las ranuras. Los lentes deberán estar nivelados y al ras con el artefacto.
7. Si éste va a ser un artefacto en el extremo en una corrida, utilice la cubierta del conector sobre cualquier conector que no esté siendo utilizado.
8. Enchufe el cable dentro de la toma de electricidad.

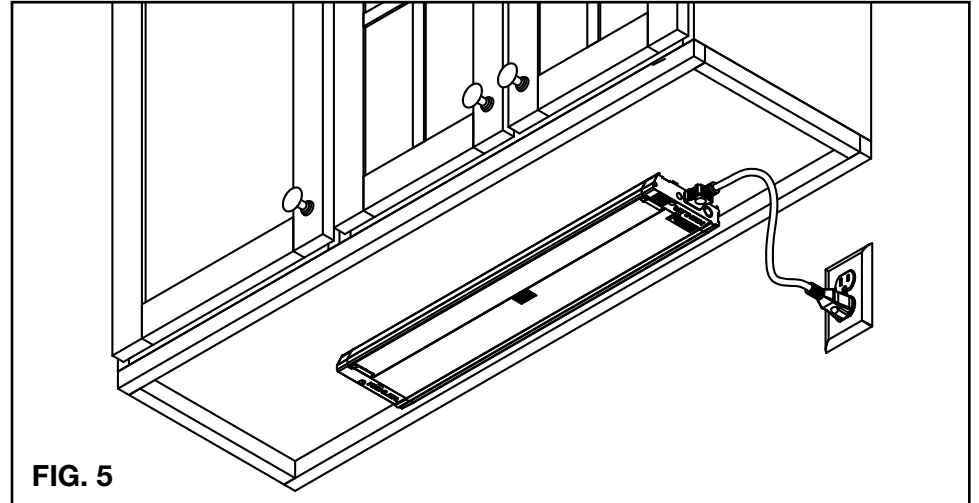


FIG. 5

INSTRUCCIONES DE INSTALACIÓN UTILIZANDO EL CABLE DE INTERCONEXIÓN

1. Apague la energía eléctrica.
2. Sostenga el artefacto en la ubicación deseada de montaje, a una distancia no mayor a 21" desde el artefacto interconectado más cercano, dejando un espacio libre de 2 ½" para los cables de interconexión. Coloque los tornillos de montaje dentro de la superficie del gabinete hasta que el artefacto esté seguro. Si los tornillos son difíciles de instalar, marque los agujeros y perforo agujeros piloto de 1/16" máximo. (ref. FIG. 6)
NOTA: Para artefactos de 22" y 30", abra el compartimento de cableado mediante la inserción de un desarmador de cabeza plana dentro de las ranuras y haga palanca en la cubierta para abrirla para instalar el tornillo central. Una vez instalado, mueva la cubierta hacia el artefacto y ciérrela por medio de la presión en los extremos de la cubierta hasta que la cubierta se encaje en su lugar y esté al ras con el artefacto.
3. Conecte el artefacto al sistema existente de iluminación de gabinetes de Kichler utilizando el cable de interconexión.
4. Sostenga el cable de interconexión sobre la superficie de montaje y determine la mejor ruta para el cable. Si el cable de interconexión será corrido de gabinete a gabinete, una muesca tal como una "V" podría ser cortada en los paneles laterales del gabinete para ayudar a mantener a los cables fuera del sitio.
NOTA: El cable de interconexión no está diseñado para uso a través o escondido detrás de paredes, pisos o techos.
5. Pele la parte trasera del sujetador(es) de retención y colóquelo en la ubicación deseada. La superficie deberá estar lo más limpia posible.
6. Deslice los cables dentro del sujetador y encájelos para que cierren.
7. Abra el difusor de vidrio presionando la pestaña de cada tapa del extremo del difusor. Eleve y deslice el difusor hacia la parte trasera del artefacto. Remueva la cubierta de protección de los focos o bombillas.

8. Cierre el difusor de vidrio mediante el movimiento de columpio del borde con las pestañas hacia arriba hacia el artefacto, hasta que las espigas de las pestañas se deslicen dentro de las ranuras en el frente de las tapas de extremo del artefacto. Deslice las pestañas hacia adelante, permitiendo que las espigas se asienten en las ranuras. Los lentes deberán estar nivelados y al ras con el artefacto.
9. Si éste va a ser un artefacto en el extremo en una corrida, utilice la cubierta del conector sobre cualquier conector que no esté siendo utilizado.
10. Encienda la energía eléctrica.

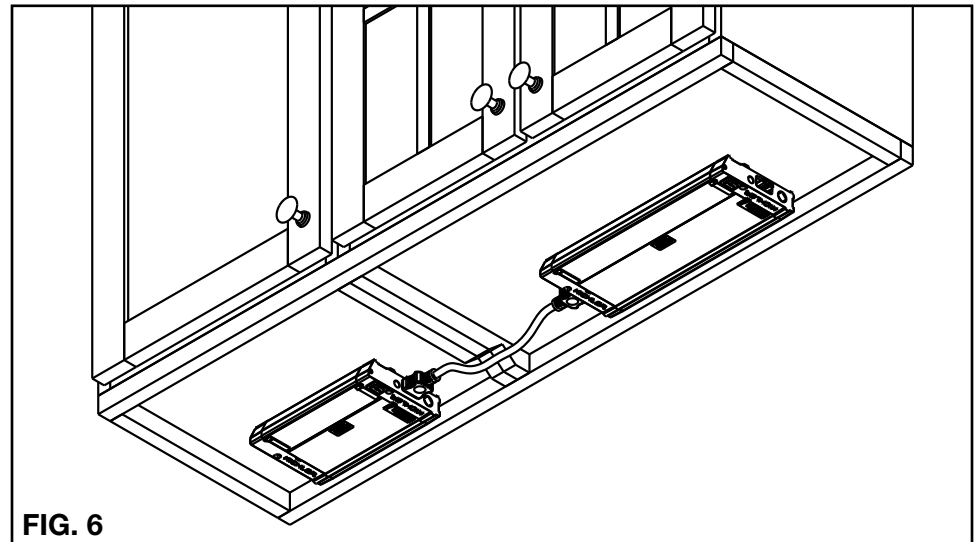


FIG. 6

INSTALACIÓN DE ARTEFACTO A ARTEFACTO

1. Apague la energía eléctrica.
2. Alinee el conector en el extremo del nuevo artefacto con el conector en el extremo del artefacto existente. (ref. FIG. 7)
3. Empuje el nuevo artefacto hacia el artefacto existente hasta que los artefactos estén al ras y los conectores se encajen conjuntamente.
4. Coloque los tornillos de montaje dentro de la superficie del gabinete hasta que el artefacto esté seguro. Si los tornillos son difíciles de instalar, marque los agujeros, remueva el artefacto y perforo agujeros piloto de 1/16" máximo.
NOTA: Para artefactos de 22" y 30", abra el de cableado mediante la inserción de un desarmador de cabeza plana dentro de las ranuras y haga palanca en la cubierta para abrirla para instalar el tornillo central. Una vez instalado, mueva la cubierta hacia el artefacto y ciérrela por medio de la presión en los extremos de la cubierta hasta que la cubierta se encaje en su lugar y esté al ras con el artefacto.
5. Abra el difusor de vidrio presionando la pestaña de cada tapa del extremo del difusor. Eleve y deslice el difusor hacia la parte trasera del artefacto. Remueva la cubierta de protección de los focos o bombillas.
6. Cierre el difusor de vidrio mediante el movimiento de columpio del borde con las pestañas hacia arriba hacia el artefacto hasta que las espigas de las pestañas se deslicen dentro de las ranuras en el frente de las tapas de extremos del artefacto. Deslice las pestañas hacia adelante, permitiendo que las espigas se asienten en las ranuras. Los lentes deberán estar nivelados y al ras con el artefacto.

7. Si éste va a ser un artefacto en el extremo en una corrida, utilice la cubierta del conector sobre cualquier conector que no esté siendo utilizado.
8. Encienda la energía eléctrica.

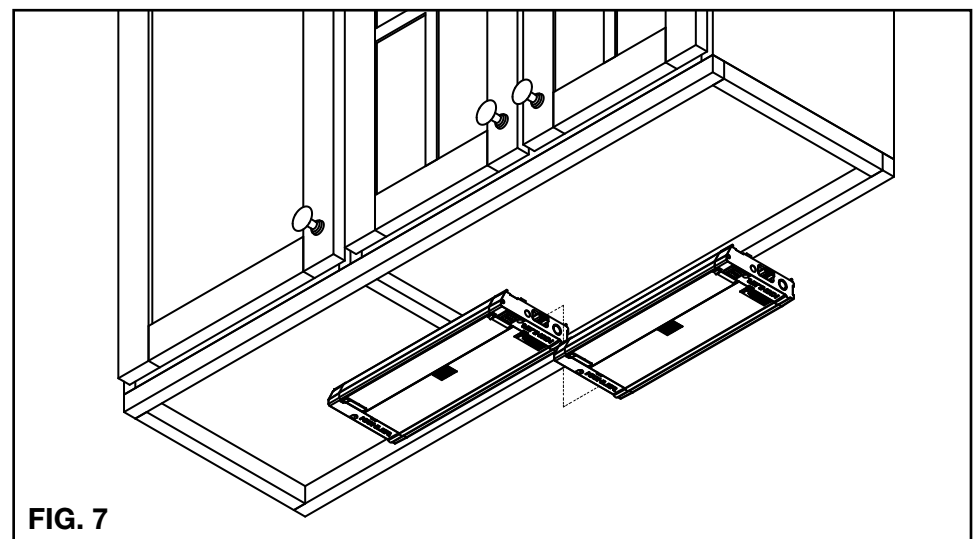


FIG. 7

INSTALACIÓN DEL SUMINISTRO DE ENERGÍA DE REEMPLAZO

1. Apague la energía eléctrica.
2. Abra el compartimento de cableado mediante la inserción de un desarmador de cabeza plana dentro de las ranuras y haciendo palanca sobre la cubierta para abrirla. (ref. FIG. 8)
3. Identifique los conductores de suministro de energía y remueva las tuercas de cable correspondientes. Colóquelas en un lugar aparte.
4. Desatornille la tuerca de mariposa para remover el suministro de energía eléctrica, coloque la tuerca de mariposa en un lugar aparte. Remueva y descarte el suministro de energía eléctrica.
5. Inserte el nuevo suministro de energía eléctrica en su lugar haciendo palanca dentro de la ranura abierta en la cubierta y atornillando la tuerca de mariposa de regreso en su lugar.

6. Vuelva a hacer todas las conexiones de cable con tuercas de cable, utilizando la guía a continuación:
 - Cable de suministro de energía eléctrica de color verde al cable (verde) de conexión a tierra del artefacto
 - Cable de suministro de energía de color blanco al cable (blanco) Neutral del artefacto
 - Cable de suministro de energía de color negro al cable (negro) Caliente del artefacto desde el interruptor de encendido-apagado (On-Off)
 - Cable de suministro de energía de color rojo al cable rojo del artefacto
 - Cable de suministro de energía de color azul al cable azul del artefacto
7. Cuidadosamente acomode los cables en la cubierta. Mueva la cubierta hacia el artefacto y ciérrela mediante la presión en los extremos de la cubierta hasta que la cubierta encaje en su lugar y esté al ras con el artefacto.
PRECAUCIÓN: Asegúrese que los cables no estén pellizcados o dañados por cualquier parte de la cubierta metálica o los sujetadores.
8. Encienda la energía eléctrica.

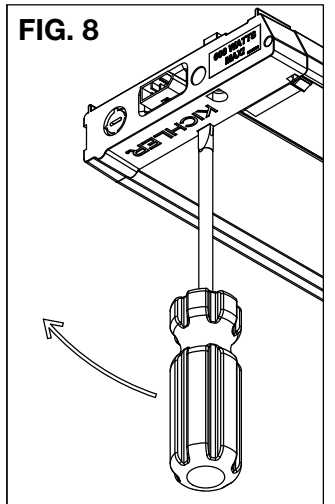


FIG. 8

Vea la Página 1 para:

- Instrucciones de instalación utilizando la conexión de línea