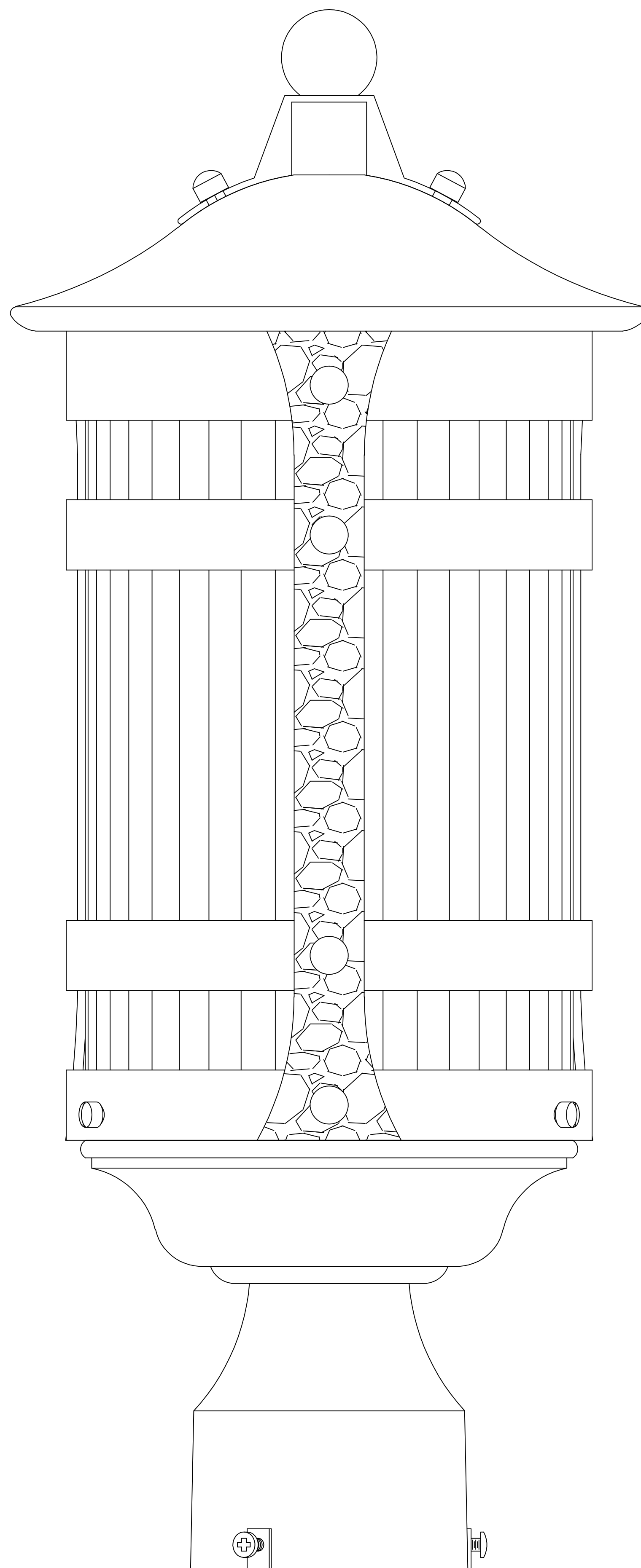




**PRODUCT NAME:** Casa Grande  
**ITEM NUMBER:** 83120

**Please consult your electrician for hanging fixture and wiring.**



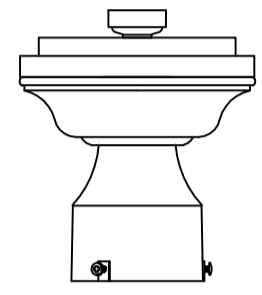
To prevent water intrusion, caulk around back-plate where fixture meets the wall using outdoor silicone sealant. Leave a small gap at the bottom to allow moisture to exit.

**Bulb (included) : GU24 1 × 18W**

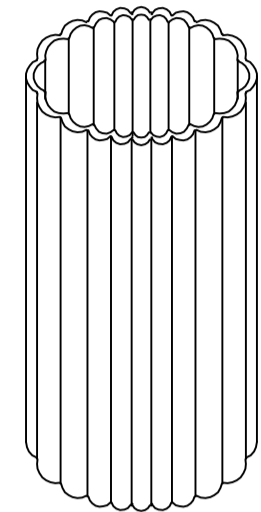


PRODUCT NAME: Casa Grande  
 ITEM NUMBER: 83120

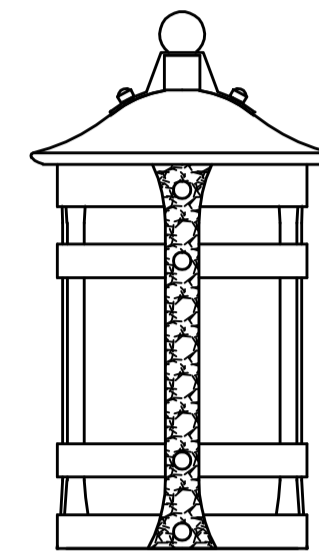
**IMPORTANT:** Turn off the power at the main fuse or circuit breaker box before starting installation.



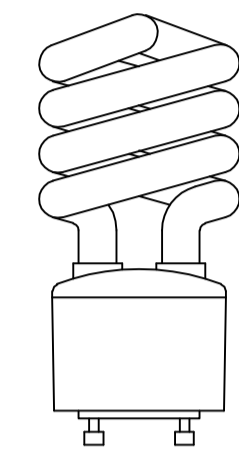
Fixture(A)



Glass (B)



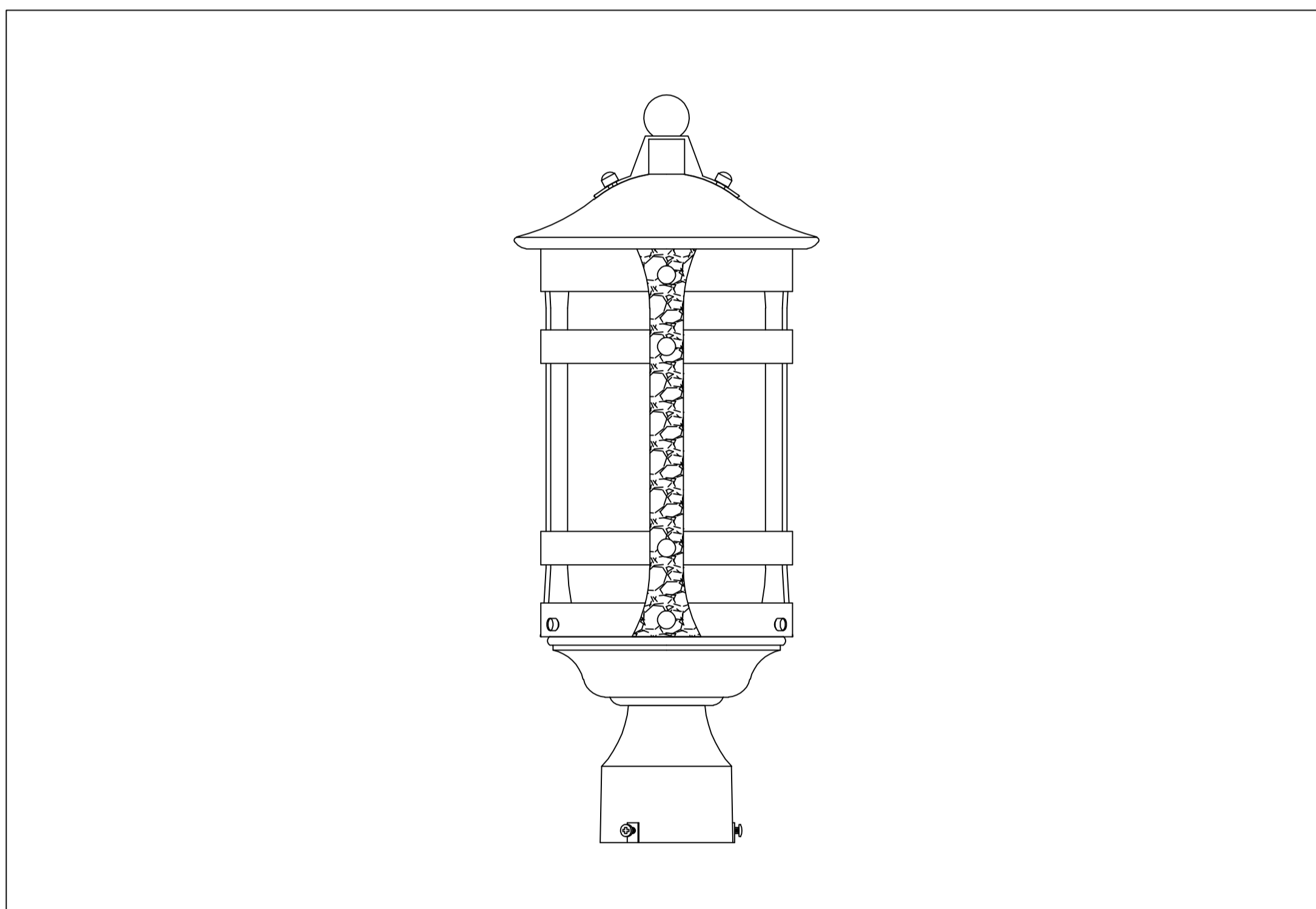
Cage (C)



GU24 Bulb (G)

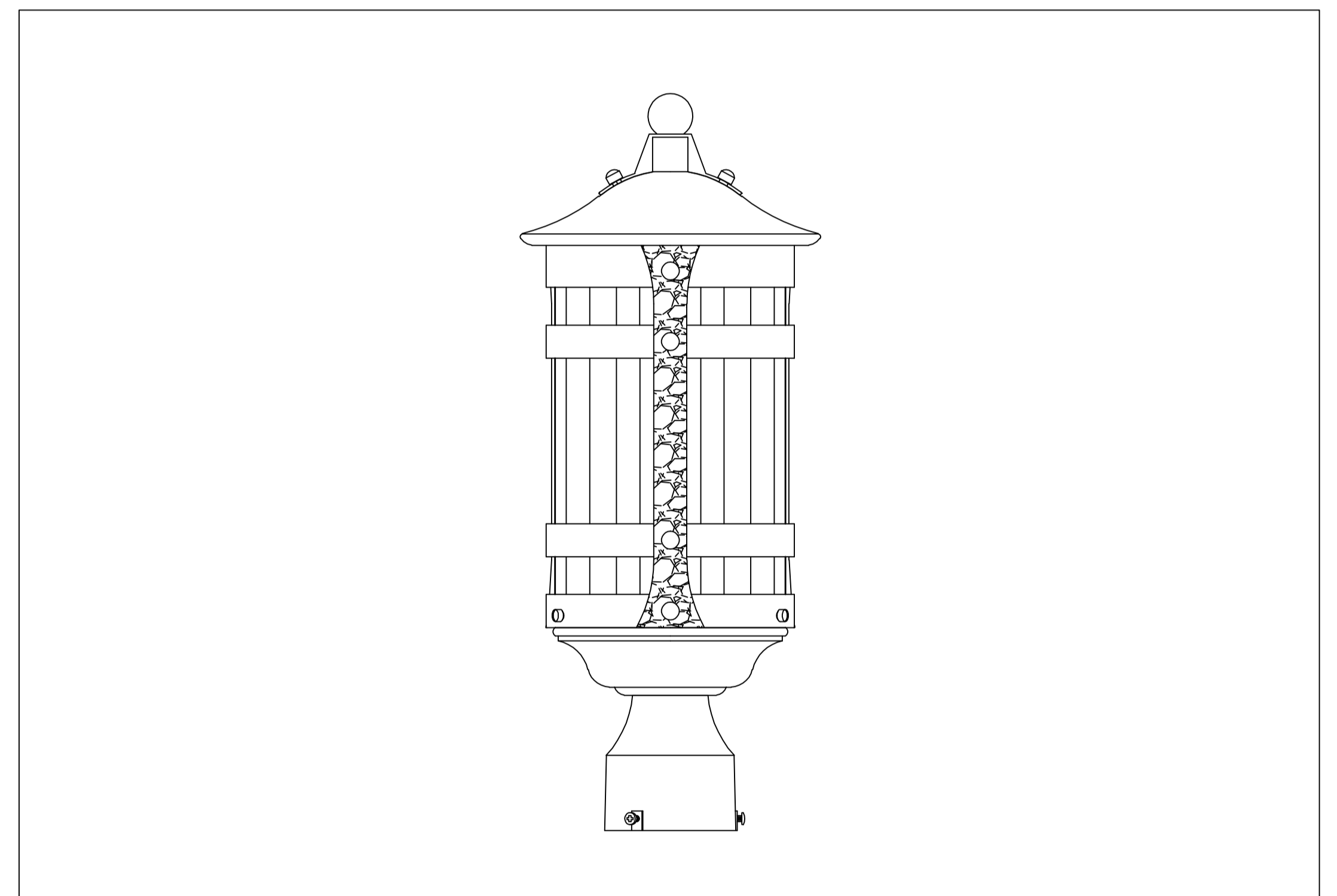
Locate all hardware & components before discarding packaging

1.)



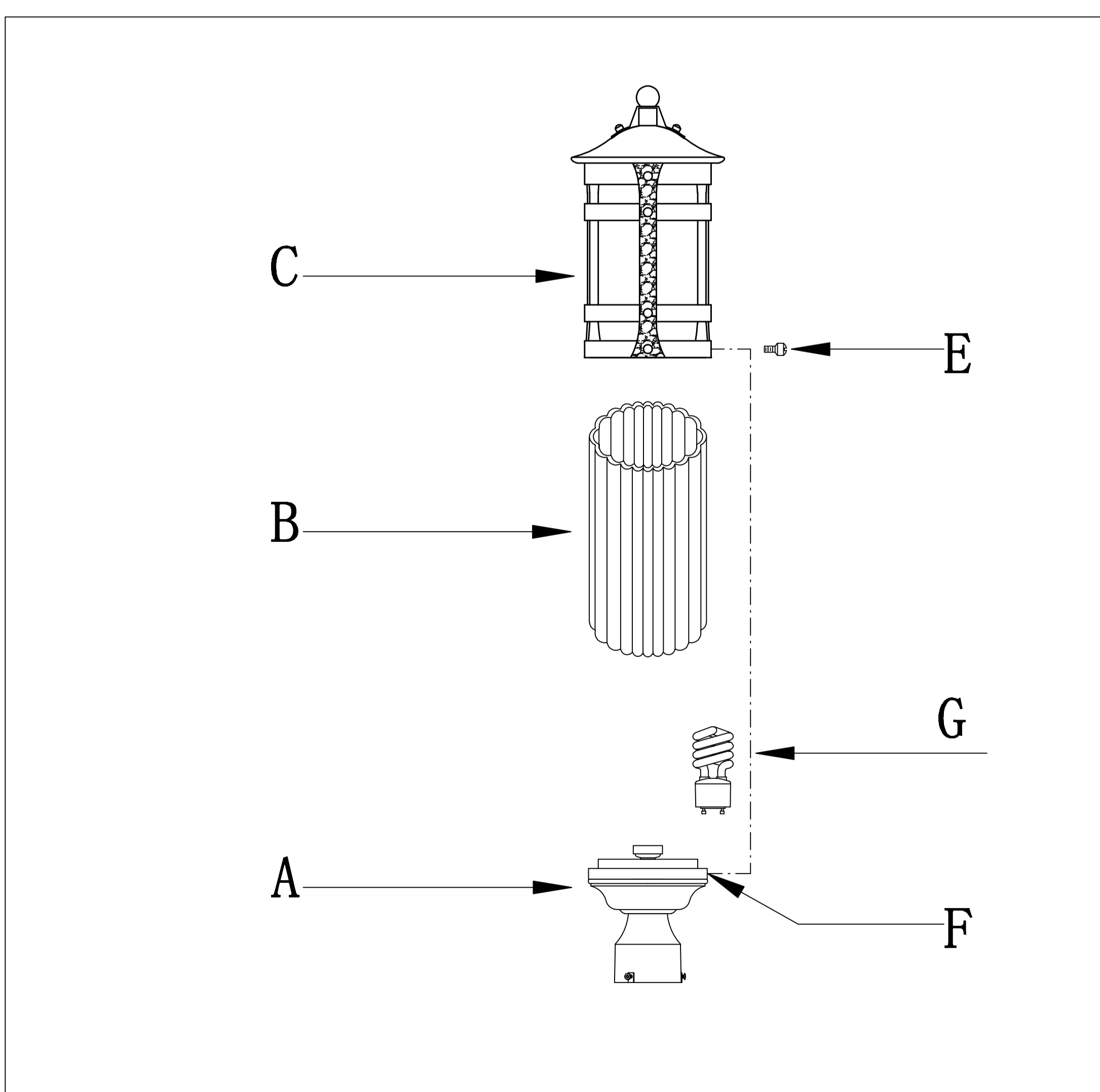
Step.1: Remove hood from the post by unscrewing top finial and three screws within the hood.

3.)



Step.3: Feed wire into holes at the fixture, and reattach the hood.

2.)



Step.2: Install GU24 bulb(G). Attach glass(B) and cage(C) to the fixture(A) using three screws(E) at point(F).

Step.4: Wire fixture to supply circuit in the post mount.

Step.5: Secure the fixture to the post using three screws on the post mount fitting.

Step.6: Caulk around the post using RTV silicone sealant to prevent water intrusion into the splicing area.

**Cleaning & Care:**

Clean with soft cloth and a mild detergent.  
 DO not use abrasive cleaner.