

INSTALLATION INSTRUCTIONS

Item#N2756-613 (New. 12/20/2017)

READ AND SAVE THESE INSTRUCTIONS

WARNING! SHUT POWER OFF AT FUSE OR CIRCUIT BREAKER.

AVERTISSEMENT! COUPER LE COURANT AU NIVEAU DES FUSIBLES OU DU DISJONCTEUR.

MOUNTING THE FIXTURE (Fig. 1)

1. Shut off the power at the fuse box or circuit breaker. If necessary, remove the old fixture, including the mounting hardware.
2. Carefully remove the new fixture from the carton, lay out all the parts on a clear area. Take care not to lose any small parts necessary for installation.
3. Thread the screw (A) into the pre-drilled holes in the mounting plate (B) spaced the same distance as the holes in the back plate of fixture body (D), then secure them with the hex nut (H).
4. Position the mounting plate (B) on the wall, and mark location of the two mounting holes. Drill the holes on the wall, and then insert the plastic anchors (F).
5. Attach the mounting plate (B) to the junction box using mounting screws (C) (Size: #8-32N*L0.5"). The side of the mounting plate marked "GND" must face out.
6. Secure the mounting plate (B) by inserting the wood screws (G) through the holes on the mounting plate into the plastic anchors (F).
7. The support cable is provided to support the weight of the fixture while wiring. Align the fixture to mounting plate (B) and attach hook (K) on the end of support cable (J) into a slot located on mounting plate (B). Carefully allow the support cable (J) to support the weight of the fixture while wiring. (Fig 1)

CONNECTING THE WIRES (Fig. 2)

8. At this point, connect the electrical wires as shown in Fig. 2, making sure that all wire connectors are secured. If your outlet box has a ground wire (green or bare copper), connect the fixture's ground wire to it. Otherwise, connect the fixture's ground wire directly to the mounting plate using the green screw provided. After wires are connected, tuck them carefully inside the junction box.

FINISHING THE INSTALLATION (Fig.1)

9. Place fixture body (D) into two screws (A) and secure tightly with cap nuts (E).
10. Install the light bulb (I) (not included) in accordance with the fixture's specifications. **(DO NOT EXCEED THE MAXIMUM WATTAGE RATING!) (NE PAS DEPASSER LA PUISSANCE NOMINALE MAXIMALE!).**

Fig. 1

Set# A-021-794149

- Mounting Plate
- Ground Screw
- Mounting Screw*2

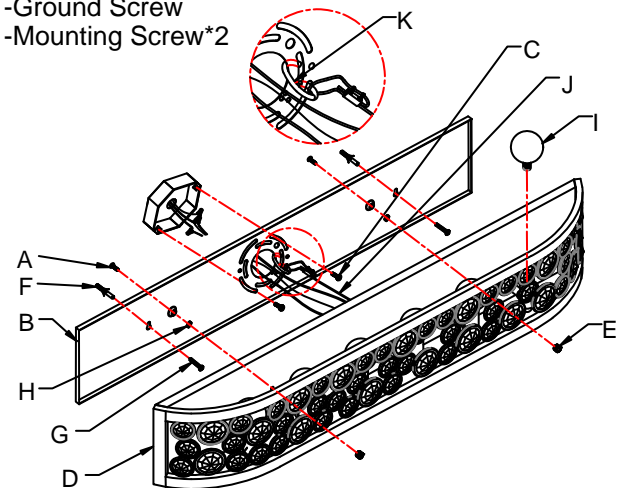
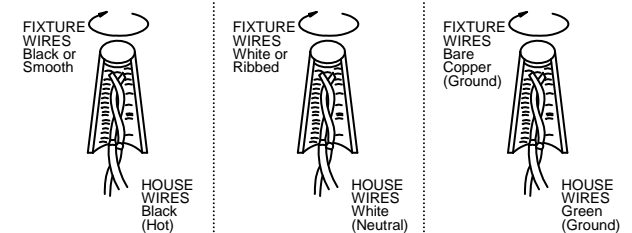


Fig. 2



MIN 90°C SUPPLY CONDUCTORS



LA-2906E