

INSTALLATION INSTRUCTIONS

Item#3290-613 (New. 11/18/2015)

READ AND SAVE THESE INSTRUCTIONS

WARNING! SHUT POWER OFF AT FUSE OR CIRCUIT BREAKER.

AVERTISSEMENT! COUPER LE COURANT AU NIVEAU DES FUSIBLES OU DU DISJONCTEUR.

PREPARATION (Fig. 1)

1. Shut off the power at the fuse box or circuit breaker. If necessary, remove the old fixture including the mounting hardware.

2. Carefully remove the fixture from the carton and check that all parts are included as shown in the illustration.

ASSEMBLING THE FIXTURE WITH CHAIN LOOP (Fig. 2)

3. Determine the desired hanging height and thread rods (F1, F2 and F3) to the nipple (I) of the fixture body (J). Then attach loop (H1) by screwing in to rod (F1). Note: remove the nipple if installing with one 6" rod only.

4. Attach the quick link (G) connect to loop (H1) and loop (H2) on the canopy (E), carefully feed the wire over loop (H1), quick link (G) and loop (H2).

5. Thread Screw (A) into the pre-drilled holes in the circular strap (B) spaced the same distance apart as the holes in the back-plate and secure with Hex Nut (C).

6. Attach the circular strap (B) to the Junction box using mounting screws (D) (Size: #8-32N*L0.5"). The side of the circular strap marked "GND" must face out.

CONNECTING THE WIRES (Fig. 3)

7. At this point, connect the electrical wires as shown in figure 3, making sure that all wire connectors are secured. If your outlet has a ground wire (green or bare copper), connect the fixture's ground wire to it. Otherwise, connect the fixture's ground wire directly to the circular strap using the green screw provided.

8. Tuck the wire connectors neatly into the ceiling Junction Box and then raise the canopy all the way to the ceiling.

COMPLETING THE INSTALLATION (Fig. 1)

9. Thread screws (A) into canopy (E), and secure with knurled knobs (T).

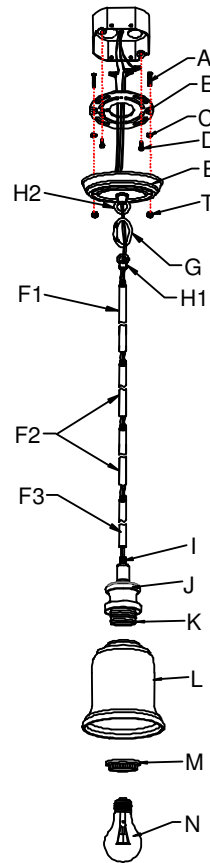
10. Place the glass shade (L) over the socket (K) and secure it with socket ring (M).

11. Install the light bulb(s) (N) (not included) in accordance with the fixture's specifications. **(DO NOT EXCEED THE MAXIMUM WATTAGE RATING!) (NE PAS DEPASSER LA PUISSANCE NOMINALE MAXIMALE!).**

Your installation is now complete. Return power to the junction box and test the fixture.

Note: Illustration (Fig. 1) on this manual is for installation purposes only. It may or may not be identical to the fixture purchased.

Fig. 1



Set# A-022

-Circular Strap

-Ground screw

-Mounting Screw*2

Rod# W30-1-613*1(F1)

W30-1-613*2(F2)

W30-H-613*1(F3)

Socket ring # SKT-RING-26

Fig. 3

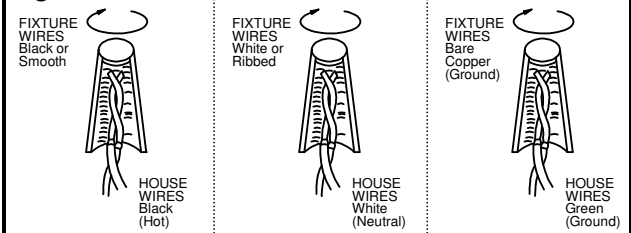
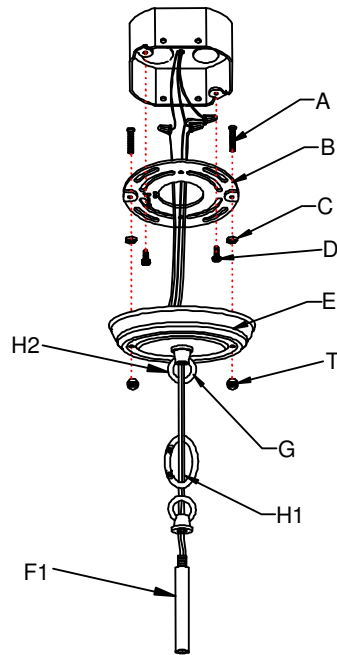
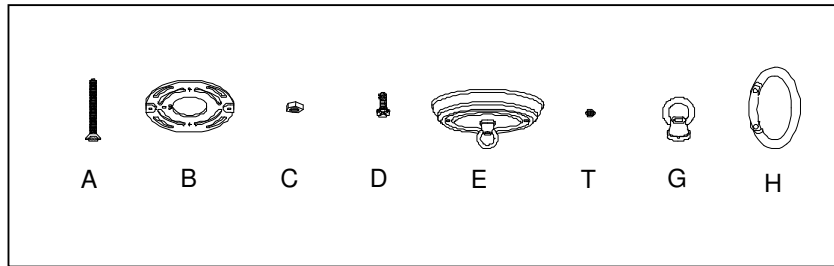


Fig.2



a. Hardware Bag:

- A. Screw*2
- B. Mounting Plate*1
- C .Hex Nut*2
- D. Mounting Screw*2
- E. Canopy*1
- T. Knurled Knob*2
- G. Loop*2
- H. Quick Link*1



b. Hardware

- F1. ROD 12"*1
- F2. ROD 12"*2
- F3. ROD 6"*1

