

# INSTALLATION INSTRUCTION FOR FIXTURE#4983-613

**WARNING! SHUT POWER OFF AT FUSE OR CIRCUIT BREAKER.**  
**AVERTISSEMENT! COUPER LE COURANT AU NIVEAU DES FUSIBLES OU DU DISJONCTEUR.**

## ASSEMBLY THE FIXTURE (FIG. 1)

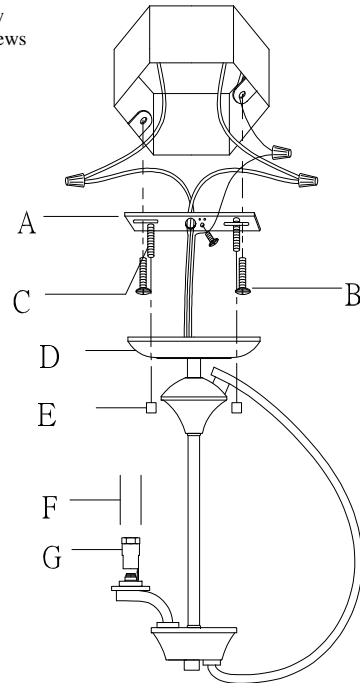
1. Shut off the power at the fuse box or circuit breaker. If necessary, remove the existing fixture and its mounting hardware from the ceiling.
2. Carefully unpack your new fixture and lay out all the parts in a clear area. Take care not to lose any small parts necessary for installation.
3. Attach the cross bar (A) to the outlet box using the outlet box screws (B). The side of the mounting bar marked "GND" must face out.
4. Follow the wiring instructions carefully (See Fig.2).
5. Put the candle sleeve (F) over the socket (G), and install the bulbs in accordance with the fixture's specifications. **(DO NOT EXCEED THE MAXMUM WATTAGE RATING!) (NE PAS DEPASSER LA PUISSANCE NOMINALE MAXIMALE!).**
6. Attach the fixture main body onto outlet box by protruding mounting screws (C) through mounting holes on the canopy (D) and secure with ball nut (E).

## CONNECTING THE WIRES (FIG. 2)

7. Connect the electrical wires as follows. Connect the black wire from the fixture to the black (HOT) house wire. Connect the white wire from the fixture to the white (Neutral) house wire. Make sure all the wire nuts were secured. You may wrap the connections with electrical tape. If your outlet box has a ground wire (Green or Bare Copper) connect fixture's ground wire to it. Other wise attach the bare copper fixture wire to the green ground screw on the mounting bar.
8. Tuck the wire connections neatly into the ceiling junction box. Your installation is now complete. Turn on the power supply of the junction box to test the fixture.

**Fig.1**

Set A#A-010  
-Crossbar  
-Ground Screw  
-Mounting screws



**Fig .2**

FIXTURE WIRES Black or Smooth	FIXTURE WIRES White or Ribbed	FIXTURE WIRES Bare Copper (Ground)
HOUSE WIRES Black (Hot)	HOUSE WIRES White (Neutral)	HOUSE WIRES Green (Ground)



american  
lighting  
association