

## INSTALLATION INSTRUCTION FOR FIXTURE #5862,5863,5864-279

**WARNING! SHUT POWER OFF AT FUSE OR CIRCUIT BREAKER.**  
**AVERTISSEMENT! COUPER LE COURANT AU NIVEAU DES FUSIBLES OU DU DISJONCTEUR.**

### MOUNTING THE FIXTURE (FIG. 1)

1. Shut off the power at the fuse box or circuit breaker. If necessary, remove the existing fixture and its mounting hardware from the wall.
2. Carefully remove the new fixture from the carton and check that all parts are included as shown in the illustration.
3. Attach the mounting plate (E) to the outlet box using the outlet box screws (F). The side of the mounting plate marked "GND" must face out.
4. Thread the mounting screws into the pre-drilled holes in the mounting plate (E) spaced the same distance apart as the holes in the back plate of the fixture body.

### CONNECTING THE WIRES (FIG. 2)

5. At this point, connect the electrical wires as shown in Fig. 2, making sure that all wire connectors are secured. If your outlet box has a ground wire (green or bare copper), connect the fixture's ground wire to it. Otherwise, connect the fixture's ground wire directly to the mounting strap using the green screw provided.
6. Tuck the wire connections neatly into the wall outlet box.

### INSTALLING THE FIXTURE (FIG. 1)

7. Place the fixture back plate over the mounting plate (E) and protrude the mounting screws through the mounting holes on the back plate. Then secure with ball nuts (D).
8. Place the glass shades (B) over the sockets (C) and secure with socket rings (A).
9. Install the bulb (s) (not included) in accordance with fixture's specifications. **(DO NOT EXCEED THE MAXIMUM WATTAGE RATING!) (NE PAS DEPASSER LA PUISSANCE NOMINALE MAXIMALE!).**

Your installation is now complete. Return power to the junction box and test the fixture.

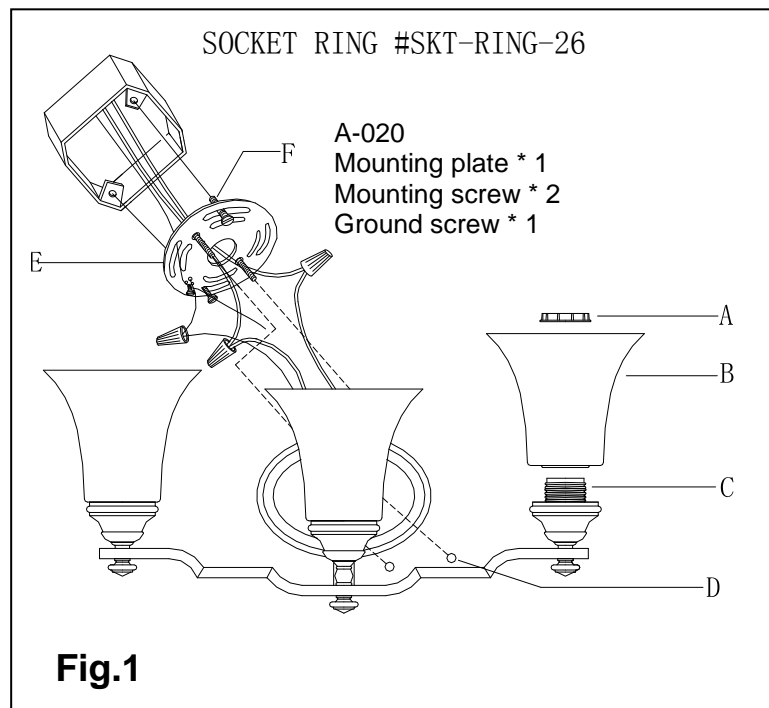


Fig.2

