

# INSTALLATION INSTRUCTIONS

Model # 9321, 9322

READ AND SAVE THESE INSTRUCTIONS

**WARNING! SHUT POWER OFF AT FUSE OR CIRCUIT BREAKER.**

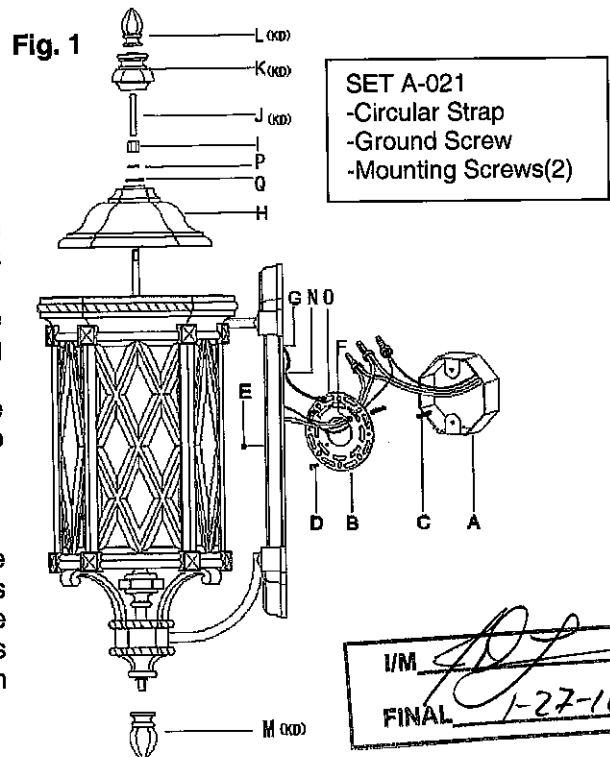
**AVERTISSEMENT! COUPER LE COURANT AU NIVEAU DES FUSIBLES OU DU DISJONCTEUR.**

## PREPARING FOR INSTALLATION (Fig. 1)

1. Shut off the power at the fuse box or circuit breaker box (avertissement! couper le courant au niveau des fusibles ou du disjoncteur) and remove the old fixture, including the mounting hardware.
2. Carefully unpack your new fixture and lay out all the parts in a clear area. Take care not to misplace any small parts necessary for installation.
3. Attach circular strap (B) using outlet box screws (D) to the outlet box (A) (not included). Make sure "GND" facing outside. (Fig 1)
4. Align back plate (G) onto the circular strap (B) and slip the hook on the end of support cable (N) and secure it into slot (O) located on circular strap (B). (Fig 1)

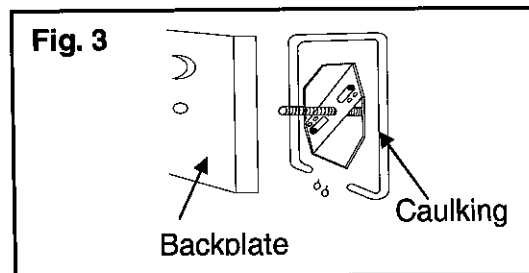
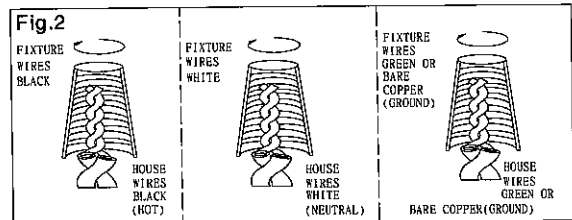
## CONNECTING THE WIRES (Fig. 2)

5. Connect the electrical wires as shown in Fig.2. Make sure that all wire connectors are secured. If your outlet box has a ground wire (green or bare copper), connect the fixture's ground wire to it. Otherwise, connect the fixture's ground wire directly to the single bar using the green screw (F) provided.



## COMPLETING THE INSTALLATION (Fig. 1)

6. Align back plate (G) onto stud (C) and secure with ball nut (E), and screw finial (M) (Fig 1).
7. To prevent moisture from entering the outlet box (A) and causing a short, use clear silicone sealant to outline the outside of fixture back plate (G) where it meets the wall leaving a space at bottom to allow moisture a means to escape. (Fig.3)
8. At this point, unscrew coupling (I), lock washer(P), rubber washer(Q), roof (H) to install 4\*40W/E12/B bulb (no bulb included) in accordance with the fixture specification—**DO NOT EXCEED THE MAXIMUM WATTAGE RATING! (NE PAS DEPASSER LA PUISSANCE NOMINALE MAXIMALE!)**
9. Replace the roof (H), rubber washer (Q), lock washer (P), coupling (I), nipple (J), cast break (K) and secure with finial (L).



Your installation is now complete. Return power to the outlet box and test the fixture.

**“CAUTION-RISK OF FIRE CONSULT A QUALIFIED ELECTRICIAN TO ENSURE CORRECT BRANCH CIRCUIT CONDUCTOR”**

**ATTENTION - RISQUE D'INCENDIE. CONSULTER UN ÉLECTRICIEN QUALIFIÉ POUR VOUS ASSURER QUE LES CONDUCTEURS DE LA DÉRIVATION SONT ADEQUATS.**



This product is protected by United States Federal and/or State Law, including Patent and/or Copyright laws.  
© Minka Lighting Inc