

# INSTALLATION INSTRUCTIONS

Item#3673-111(New.2018/01/08)

## READ AND SAVE THESE INSTRUCTIONS

**WARNING! SHUT POWER OFF AT FUSE OR CIRCUIT BREAKER.**

**AVERTISSEMENT! COUPER LE COURANT AU NIVEAU DES FUSIBLES OU DU DISJONCTEUR.**

### HANGING THE FIXTURE (Fig. 1)

1. Carefully remove the fixture from the carton and check that all parts are included as shown in the illustration.
2. Shut off power at the circuit breaker and remove old fixture including the mounting hardware.
3. Removed the mounting bracket (C) from the back plate (B) by unscrewing the mounting screw (A)
4. The mounting bracket (C) contains several pairs of threaded holes, find the pair of holes that match the holes spacing in your Junction box(E). Attach the mounting bracket (C) to the Junction Box(E) using the two mounting screws (G)( size: 8/32\*25mm). Tighten the screws (G) securely with screwdriver. The side of the mounting plate marked "GND" must face out.

### CONNECTING THE WIRES (Fig. 2)

5. At this point, connect the electrical wires as shown in (Fig.2), Make sure that all wire connections are secured. If your outlet has a ground wire (green or bare copper), connect the fixtures Ground Wire to it. Otherwise, connect the fixture Ground Wire directly to the mounting bracket using the Green Screw provided.
6. Secure the back plate(B) to the mounting bracket(C) with the mounting screw (A)..

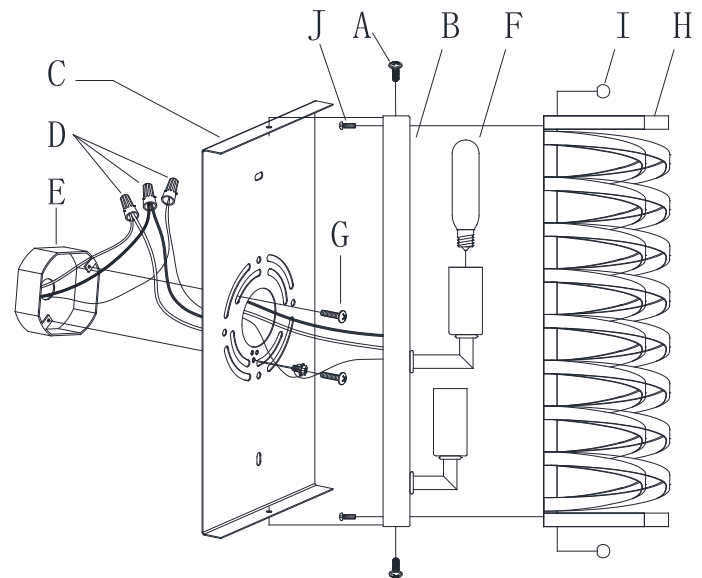
### INSTALL LIGHT BULB (Fig. 1)

7. Install light bulb (F) (included) in accordance with the fixture's specifications. **(DO NOT EXCEED THE MAXIMUM WATTAGE RATING!!) (NE PAS DEPASSER LA PUISSANCE NOMINALE MAXIMALE!)**
8. Secure the Lamp shade (H) to the back plate(B) with the ball screw(I)

### FINISH THE INSTALLATION (Fig. 1)

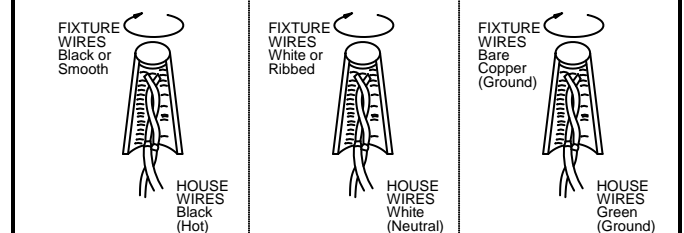
9. Your installation is complete now. Return power to the junction box and test the fixture. **Note: Illustration (Fig.1) on this manual is for installation purposes only. It may or may not be identical to the fixture purchased.**

Fig.1



- Set #A-022-173300
- Mounting bracket
- Ground Screw
- Mounting Screw\*2

Fig. 2



MIN 75°C SUPPLY CONDUCTORS

3673-111

