

INSTALLATION INSTRUCTION 6917-L/6918-L

For Flush Mount Ceiling Fixture

WARNING! SHUT POWER OFF AT FUSE OR CIRCUIT BREAKER .
AVERTISSEMENT! COUPER LE COURANT AU NIVEAU DES FUSIBLES OU DU DISJONCTEUR.

READ AND SAVE THESE INSTRUCTIONS

PREPARATION

1. Shut off the power at the fuse box or circuit breaker box. If necessary, remove the old fixture and all mounting hardware from junction box.
2. Carefully unpack your new fixture and lay out all the parts on a clear area. Take care not to loose any small parts necessary for installation.

MOUNTING THE FIXTURE (FIG.1)

3. Thread mounting screws (A) (Size: #8-32*1.75"L) into the match holes in the circular strap (B). Secure the circular strap (B) to outlet box with outlet box screws (C) (Size: #8-32*0.6"L). The side of the circular strap marked "GND" must face out.
4. Place the glass panel (F) on the bottom of the glass frame (J), then place the clip (G) in the middle of the edge, repeat this step for the other clips.
5. Insert the side glass panels (H) into the clips (G), then using the sheet metals (I) to compact the glass panels (H).
6. Align hanging ceiling pan (D) to the outlet box and mark the holes for the wall anchors (L) and insert the anchors into the ceiling.
7. The support cable is provided to support the weight of the fixture while wiring. Attach the hook (N) on the end of the support cable to the hanging bracket. Carefully allow the support cable to support the weight of the fixture while wiring

CONNECTING THE WIRES (Fig. 2)

8. At this point, connect the electrical wires as show in (Fig. 2). Making sure all wire nuts are secured. You may have to wrap the connections with electrical tape. If your outlet has a ground wire (green or bare copper), connect the fixture's ground wire to it. Otherwise connect fixture's ground wire directly to the crossbar using the green screw provided.
9. Tuck these wire connections neatly into the ceiling junction box and then raise the ceiling pan (D) all the way to the ceiling.

COMPLETING THE INSTALLATION

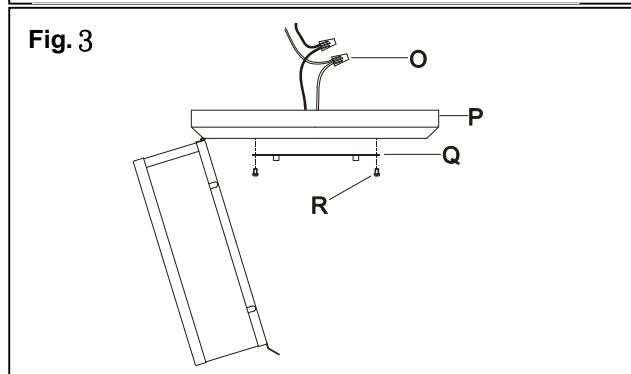
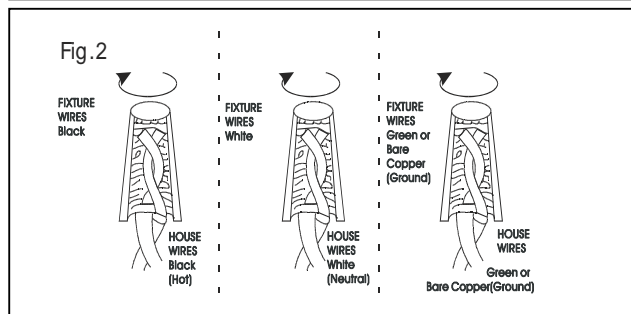
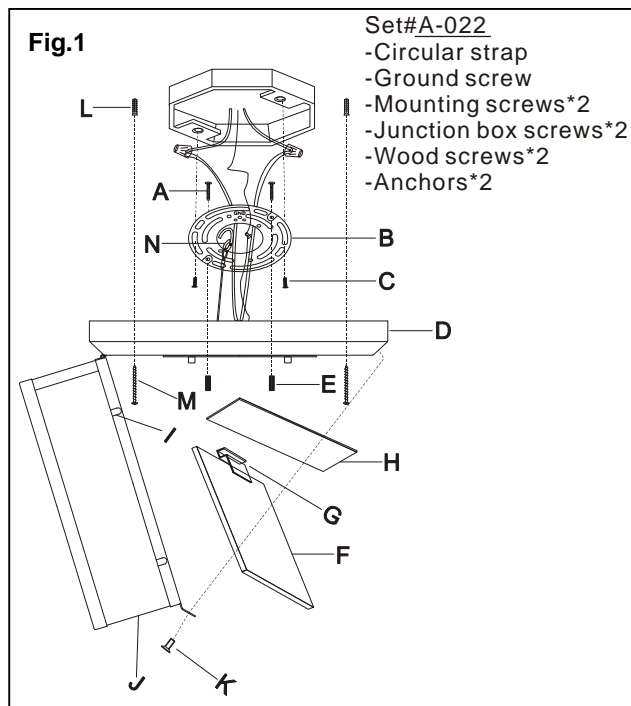
10. Raise the ceiling pan (D) allowing for the mounting screws (A) to protrude through the hole in the ceiling pan (D), secure with finials (E) and wood screws (M) (Size:8#x2"L) into plastic anchors (L).
11. Attach glass frame (J) to ceiling pan (D) and secure with screws (K) by screw driver.

REPLACING LED MODULE(Fig. 3)

The LED module can be replaced by a qualified electrician without cutting of wire and without damage to any decorative element to which the fixture is attached. See installation steps for more details (Fig 3.)

- a. Shut off power before replacing. Unscrew the screws (K) to take off the frame (J), then unscrew the finials (E) and wood screws (M), carefully hold the ceiling pan (D) to disconnect the wire connectors (O), save the parts for use.
- b. Remove the module (Q) from the ceiling pan by loosening the screws (R).
- c. Reverse step b for installing the new LED module (Q).
Note: The LED module should be provided by a specified supplier.
- d. For better heat dissipation the LED module (Q) should be installed with the heat transfer silicone when re-lamping.

Return power to the junction box and test the fixture. Your installation is now complete.



CAUTION- RISK OF FIRE. CONSULT A QUALIFIED ELECTRICIAN TO ENSURE CORRECT BRANCH CIRCUIT CONDUCTOR.

DIMMABLE WITH ELV AND/OR LED COMPATIBLE WALL DIMMER SWITCHES.