

# INSTALLATION INSTRUCTIONS

Item# 72641 72642 72643

READ AND SAVE THESE INSTRUCTIONS

**WARNING! SHUT POWER OFF AT FUSE OR CIRCUIT BREAKER.**

**AVERTISSEMENT! COUPER LE COURANT AU NIVEAU DES FUSIBLES OU DU DISJONCTEUR.**

## ASSEMBLING THE FIXTURE (FIG.2)

1. Shut off the power at the fuse box or circuit breaker.  
If necessary, remove the existing fixture and its mounting hardware from the wall.
2. Remove the new fixture from the carton and check that all parts are included as shown in the illustration.
3. Remove screw (J), bracket (I), glass panel (H).
4. Use sucker (G) install bulb (F) (bulb included) .  
(DO NOT EXCEED THE MAXIMUM WATTAGE RATING!).  
(NE PAS DEPASSER LA PUISSANCE NOMINALE MAXIMALE!)
5. Insert the glass (H) from bottom, and secure with screw(J)and bracket(I)。

## MOUNTING THE FIXTURE (FIG.1)

6. Thread the mounting screws (B) into the mounting plate (A) and secure in the junction box. The side of mounting plate marked "GND" must face out.

## CONNECTING THE WIRES (FIG. 3)

7. At this point, connect the fixture wires as shown in fig.3, making sure that all wire connectors are secured. If your outlet box has a ground wire (green or bare copper), connect the fixture's ground wire to it. Otherwise, connect the fixture's ground wire directly to the mounting plate (A) using the green screw provided. After the wires are connected, tuck them carefully inside the outlet box.
8. Thread the screws (C) into the back plate (D) and secure on the mounting plate (A) .(FIG. 1)

## FINISHING THE INSTALLATION (FIG. 4)

9. To prevent moisture from entering the outlet box and causing a short, use clear silicone sealant to outline the outside of fixture back plate (D) where it meets the wall leaving a space at bottom to allow moisture a means to escape.

**YOUR INSTALLATION IS NOW COMPLETE. RETURN POWER AND TEST THE FIXTURE.**

**IMPORTANT: FIXTURE SHOULD BE INSTALLED BY A QUALIFIED ELECTRICIAN TO ENSURE PROPER WIRING AND INSTALLATION.**

FIG.1

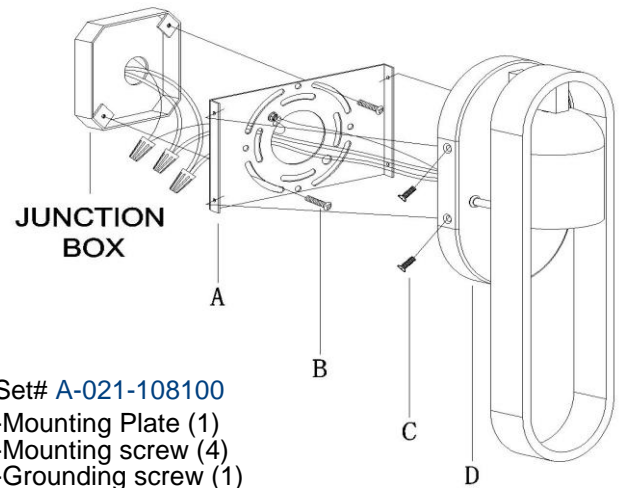


FIG.2

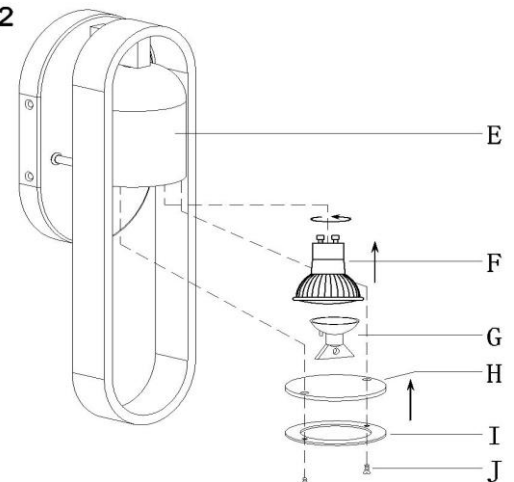


Fig. 3

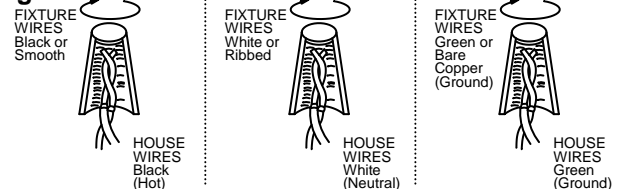
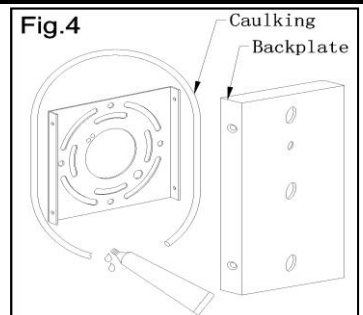


Fig.4



american  
lighting  
association

