

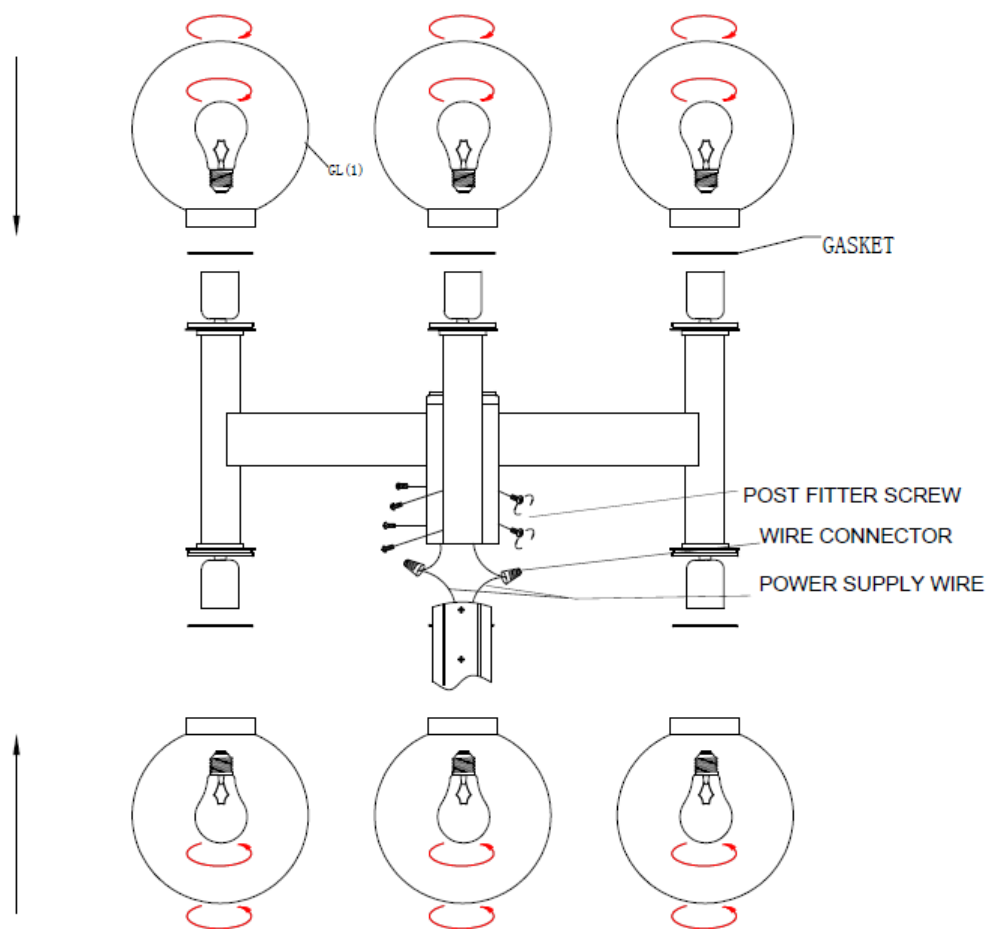
FOR YOUR SAFETY WARNING: BE SURE THE ELECTRICITY TO THE WIRES YOU ARE WORKING ON IS SHUT OFF; EITHER THE FUSE IS REMOVED OR THE CIRCUIT BREAKER IS SHUT OFF.

GENERAL You don't need special tools to install this fixture. Be sure to follow the steps in the order given. Under no circumstances should a fixture be hung on house electrical wires, nor should a swag type fixture be installed on a ceiling which contains a radiant type heating system. Read instructions carefully. If you are unclear as to how to proceed, consult a qualified electrician.

NOTE: Proper wiring is essential for the safe operation of this fixture.

ASSEMBLY INSTRUCTIONS

597PHM & 599PHM & 597PHB & 599PHB & 597MP3 & 599MP3 & 597BP3 & 599BP3 & 597MP6 & 599MP6 & 597BP6 & 599BP6



READ & SAVE

INSTALLATION & OPERATION INSTRUCTIONS

TOOLS & MATERIALS REQUIRED

Screwdriver

Wire Cutters

Adjustable Wrench

Wiring Supplies

CAUTION

Prior to assembly, refer to ELECTRICAL CONNECTIONS section. If you do not have electrical wiring experience, refer to a do-it-yourself wiring handbook or have your fixture installed by a qualified licensed electrician.

GENERAL

1. Be sure to read these instructions and review the diagrams thoroughly before beginning.
2. Electrical connections must be in accordance with local codes, ordinances, or the National Electric Code. If you are unfamiliar with methods of installing electrical wiring, secure the services of a qualified licensed electrician.
3. Before starting the installation, disconnect the power by turning off the circuit breaker or by removing appropriate fuse at fuse box. Turning the power off at the light switch is not sufficient to prevent electrical shock.

PREPARE THE FIXTURE

NOTE: First turn off electricity

FINAL ASSEMBLY

1. Pull the black, white and ground wires out of mounting post.
2. While supporting the fixture, connect electrical wires. If your post has a ground wire (green or bare copper), connect the fixture ground wire to it. If not, consult your electrician for proper grounding.

ELECTRICAL CONNECTIONS 120V~, 60Hz

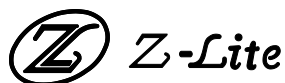
Connect white wire(s) from fixture to white neutral wire from supply circuit.

Connect black wire(s) to black hot wire from supply circuit. Connect green wire to green or bare wire or grounding screw on mounting bracket. In all cases grounding conductor to earth must be used. Use UL/CSA Listed wire connects suitable for the size, type, and number of conductors. No loose strands or loose wires should be present. Secure wire connectors with UL/CSA Listed electrical tape.

After wires are connected, tuck them carefully inside the post cup.

3. Align the lantern with mounting post and secure with screws
4. Installation is complete. Turn on the power at the circuit breaker or fuse box. Turn the light switch on to activate the fixture.
5. Glass replacement. Twist the glass part. **Remember to add the gasket ring, gasket packaged in the spare parts bag.**

CAUTION: LED fixtures can operate at high temperatures please use caution when touching during operation or after operation.



Warning: Risk of fire

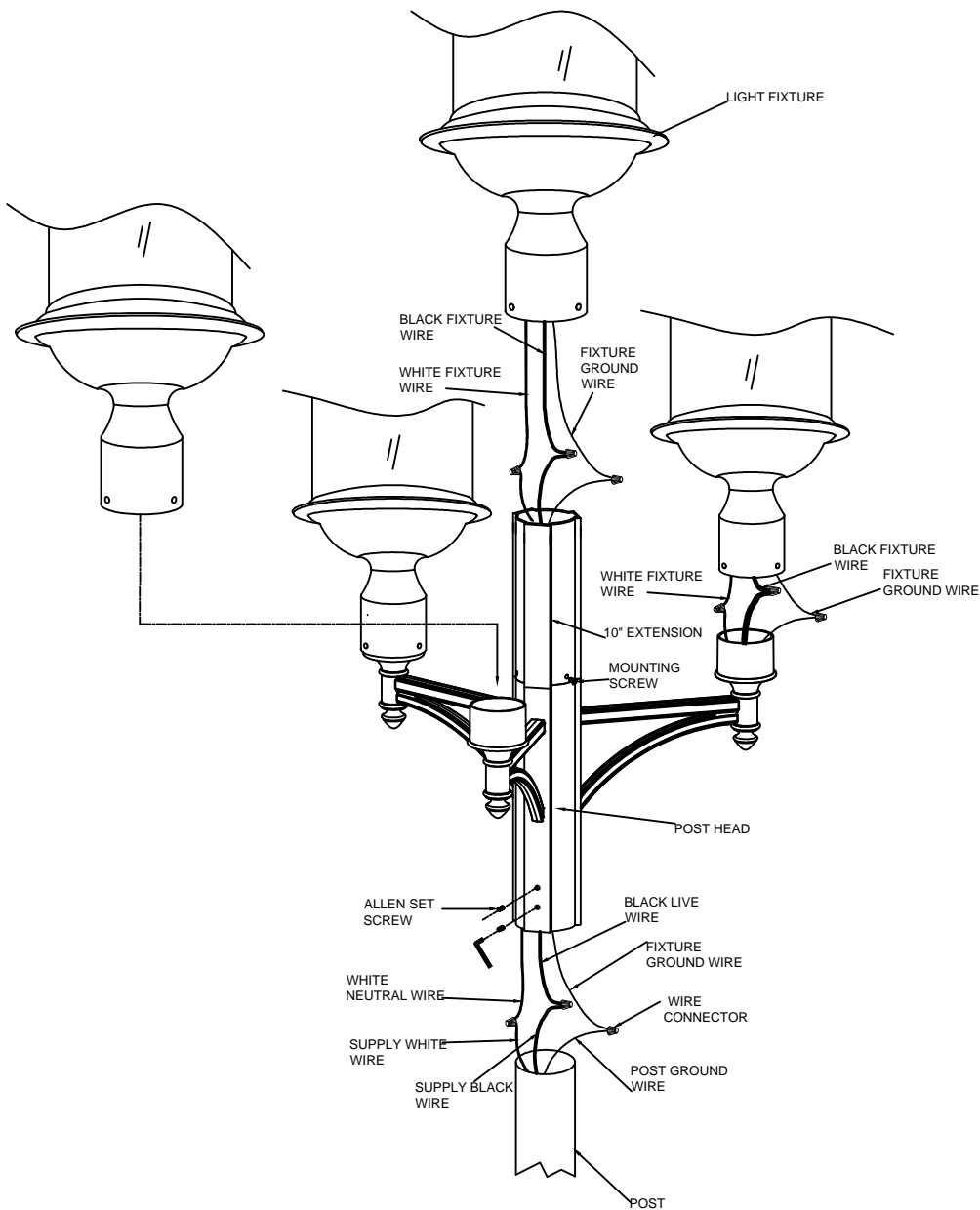
Before you do the installation, thoroughly read the instruction sheet. If you do not have sufficient electrical wiring experience, please consult a qualified licensed electrician.

All electrical connections must be in accordance with Local and National electrical code (N.E.C) standard

WIRING INSTRUCTION

WARNING: DISCONNECT POWER AT THE MAIN ELECTRICAL PANEL BEFORE INSTALLATION

1. Expose the supply wires from the post for wiring connections
2. Connect the ground wire from the post head to the post ground wire using the wire connector
3. Connect the white wire/Ribbed wire from the post head to the supply white wire from the post using the wire connector.
4. Connect the Black wire/smooth wire from the post head to the supply black wire from the post using the wire connector.
5. After all connections are secured, carefully, tuck wires into the post no loose strands, then, slide down the post head over on the post top secured with Allen screws
6. remove the top cap, assemble the 10" extension on the center hub top, tighten the mounting screws to hold the 10" extension securely in place.
6. The post head installation is completed, then, do the installation of light fixture properly on the arm of post head



501-4 BK

INSTALLATION INSTRUCTIONS

Model 5010P-BK

FOR YOUR SAFETY WARNING: BE SURE THE ELECTRICITY TO THE WIRES YOU ARE WORKING ON IS SHUT OFF; EITHER THE FUSE IS REMOVED OR THE CIRCUIT BREAKER IS SHUT OFF.

SAFETY ALERT!

FIND THE LOCATION OF ANY UNDERGROUND PLUMBING, POWER LINES, AND OTHER LINES BEFORE DIGGING.

1. Dig a to the required depth (Approx. 48"-51" deep). Allow extra depth for gravel.
2. After consulting the local codes, dig a trench to the required depth from the post hole to the power source.
3. Shovel several inches of gravel in the bottom of the hole for drainage Purposes.
4. Insert the underground electrical cable as required from the power source into the inlet hole near the base of the post and continue to feed the cable to the top of the post, allowing sufficient wire leads for splicing purposes.
5. Twist 24" pole (A) with 40" pole(B1) by one pcs of connector (Fig 1)
6. It is recommended that clear silicone sealant be spread evenly on the threads of the bottom pole prior to securing into the coupler.
7. Place the Pole with 48" into the hole at the desired location and stabilize to vertical level position (Fig 2.)
8. Secure another 40" Pole (B2) with B1 by connector (Fig 3.)
9. Put Base (D) from top of Pole (B2), then secure by mounting screws(E) (Fig 4)
10. Let 5" Tube (F) from top of Pole (B2) to Base(D), secure mounting screws(G) by wrench (H) (Fig 5)
11. Twist 40" Pole (C) with B2 by connector (Fig 6)
12. Making sure that the bottom of the pole is imbedded in the gravel, pour concrete to just below the wire access hole.

Fig.1

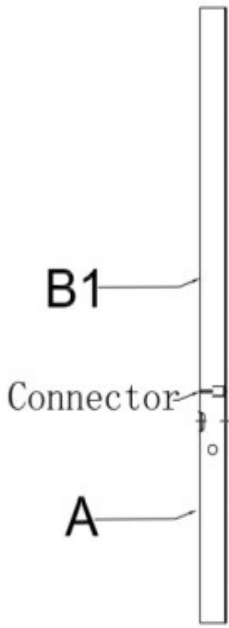


Fig.2

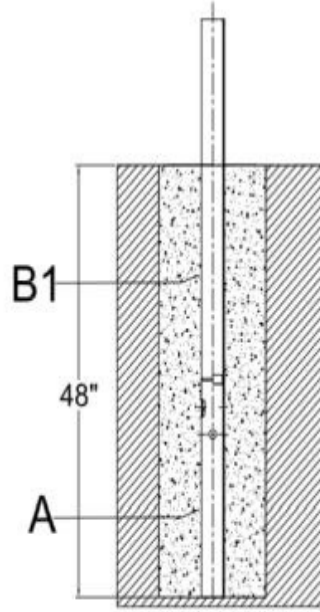


Fig.3

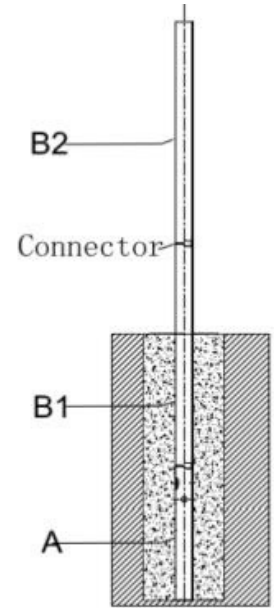


Fig.4

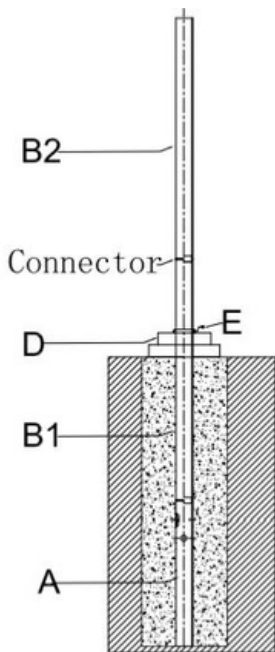


Fig.5

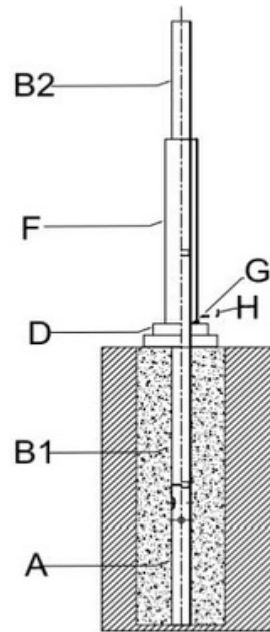


Fig.6

